

# MOUNTING & LENGTH SPECIFICATIONS

Part No.	Part Type	STRUT BODY		END CODE		LENGTHS			Spring (Rate)	Parts Pack(s)
		Type	Length	Body	Rod	Comp.	Ext.	Trav.		
5502†	Shock	—	—	LS33	S5	13.33"	21.87"	6.25"	—	P01637
5504†	Shock	—	—	LS27	S4	18.36"	22.05"	3.76"	—	P01744
5505†	Shock	—	—	LS27	S4	18.09"	21.55"	3.46"	—	P01744
5511†	Shock	—	—	LS27	S7	16.48"	26.38"	9.9"	—	None
5512†	Shock	—	—	XP4	S1	12.15"	18.22"	6.07"	—	P00857,P01431
5513†	Shock	—	—	LS43	S2	14.35"	22.34"	7.99"	—	P01524
5514†	Shock	—	—	LS43	S15	17.04"	24.35"	7.31"	—	P01505
5515†	Shock	—	—	LS57	S8	16.35"	25.83"	9.48"	—	P01682
5516	Shock	—	—	SPEC	S2	14.77"	17.87"	3.1"	—	P00838
5517	Shock	—	—	SPEC	S2	14.77"	17.87"	3.1"	—	P00838
5518†	Shock	—	—	LS42	S1	15.08"	24.88"	9.83"	—	P01505
5520	Shock	—	—	LS31	S1	15.57"	25.63"	10.06"	—	P01431
5521†	Shock	—	—	LS43	S4	11.44"	17.83"	6.39"	—	P01417
5522†	Shock	—	—	LS44	S1	14.47"	21.02"	6.46"	—	P01699
5525†	Shock	—	—	LS27	S42	17.84"	20.35"	2.51"	—	P01744
5527†	Shock	—	—	LS42	S1	13.74"	23.02"	9.28"	—	P01505
5528†	Shock	—	—	LS42	S1	13.74"	23.02"	9.28"	—	P01505
5529†	Shock	—	—	LS42	S1	13.74"	23.32"	9.58"	—	P01505
5530†	Shock	—	—	LS65	S1	16.89"	26.46"	9.37"	—	P01682
5532†	Shock	—	—	LS28	S4	18.72"	20.23"	1.51"	—	P01136
5537†	Shock	—	—	LS5	S15	14.27"	21.86"	7.59"	—	P01431
5538†	Shock	—	—	LS31	S15	15.41"	23.15"	7.74"	—	P01431
5539†	Shock	—	—	LS96	S15	13.79"	20.41"	6.62"	—	P01698
5540†	Shock	—	—	LS29	S1	16.34"	25.76"	9.42"	—	P01682
5541†	Shock	—	—	LS32	S1	14.64"	23.46"	8.82"	—	P01603
5543†	Shock	—	—	LS96	S15	14.26"	20.19"	5.93"	—	P01698
5544	Shock	—	—	LS53	S2	12.84"	19.58"	6.73"	—	P00839
5545	Shock	—	—	LS43	S1	15.92"	25.98"	10.06"	—	P00906
5546	Shock	—	—	LS100	S8	16.76"	26.45"	9.65"	—	P01682
5547	Shock	—	—	LS101	S15	13.3"	20.87"	7.57"	—	P01431
5548	Shock	—	—	LS29	S42	19.31"	24.94"	5.63"	—	P01136
5549	Shock	—	—	LS5	S15	14.17"	19.34"	5.17"	—	None
5550	Shock	—	—	LS6	S15	15.43"	23.5"	8.07"	—	P01743
5551	Shock	—	—	LS45	S1	17.93"	25.83"	7.56"	—	P00906
5552	Shock	—	—	CLEV	S15	16.54"	23.83"	7.29"	—	P01488
5553	Shock	—	—	LS7	S1	14.68"	23.5"	8.83"	—	P01505
5555	Shock	—	—	LS53	S2	12.76"	19.5"	6.73"	—	P00839
5556	Shock	—	—	LS91	S8	16.38"	25.47"	9.09"	—	P01682
5558	Shock	—	—	LS26	S4	14.88"	23.86"	8.98"	—	P01134
5559	Shock	—	—	LS43	S1	16.6"	26.12"	9.52"	—	P00906
5560	Shock	—	—	LS25	S7	20.23"	28.27"	8.04"	—	P01682
5561	Shock	—	—	LS27	S1	14.55"	23.97"	9.42"	—	P01431
5562	Shock	—	—	LS32	S1	15.41"	23.76"	8.35"	—	P00906
5563	Shock	—	—	LS78	S13	17.28"	26.22"	8.94"	—	Included on Stem
5564	Shock	—	—	LS78	S13	17.28"	26.22"	8.94"	—	Included on Stem
5566	Shock	—	—	LS6	S4	18.65"	23.57"	4.92"	—	P01136
5600	Shock	—	—	SPEC	S1	14.66"	21.42"	6.76"	—	P00906
5601	Shock	—	—	LS50	S4	16.16"	25.91"	9.75"	—	P01511
5602	Shock	—	—	SPEC	S4	11.34"	16.97"	5.63"	—	P01136
5603	Shock	—	—	SPEC	S4	11.34"	16.34"	5"	—	P01136
5605	Shock	—	—	LS7	S4	17.1"	21.03"	3.93"	—	P01136
5607	Shock	—	—	LS31	SPEC	18.76"	26.39"	7.63"	—	BE17110773
5609†	Shock	—	—	LS27	S4	18.3"	22.05"	3.76"	—	P01744
5611	Shock	—	—	LS42	S1	14.72"	22.99"	8.27"	—	BE17110722
5612	Shock	—	—	LS30	S4	18.92"	25.55"	6.63"	—	P01722
5613	Shock	—	—	LS7	S1	17.99"	26.25"	8.26"	—	BE17110497
5614	Shock	—	—	LS50	S1	16.7"	22.94"	6.24"	—	P00906
5615†	Shock	—	—	SPEC	S1	14"	21.59"	5.59"	—	P00906
5616	Shock	—	—	S1	S1	16.02"	22"	5.98"	—	BE17110813
5617	Shock	—	—	LS37	SPEC	18.5"	27.6"	9.1"	—	BE17110773
5618	Shock	—	—	LS78	S4	10.72"	17.16"	6.44"	—	P01603

† Bumper Stop Unit. Dimension Shown at Bumper Contact

‡ Hydraulic Lockout Unit. Dimension Shown is Metal-to-Metal, Subtract Approximately 5/8" (.62) from the Extended Length for Start-of-Engagement.

# MOUNTING & LENGTH SPECIFICATIONS

Part No.	Part Type	STRUT BODY		END CODE		LENGTHS			Spring (Rate)	Parts Pack(s)
		Type	Length	Body	Rod	Comp.	Ext.	Trav.		
5621†	Shock	—	—	LS32	S4	14.95"	23.79"	8.84"	—	P01603
5622†	Shock	—	—	SPEC	S1	13.39"	21.34"	7.95"	—	P00906
5624	Shock	—	—	SPEC	S4	15.5"	24.5"	9"	—	P01136
5626	Shock	—	—	LS16	S4	17.69"	21.5"	3.81"	—	P01136
5629	Shock	—	—	LS30	S4	18.13"	25.31"	7.19"	—	P01722
5630	Shock	—	—	SPEC	LS38	17.12"	26.38"	9.26"	—	None
5631	Shock	—	—	CLEV	S1	14.25"	21.88"	7.63"	—	P01488
5633	Shock	—	—	CLEV	S1	16.09"	20.13"	4.05"	—	P01488
5637†	Shock	—	—	S1	SPEC	16.54"	20.95"	4.44"	—	P01488
5639†	Shock	—	—	LS29	SPEC	12.82"	18"	5.18"	—	None
5645	Shock	—	—	LS24	S7	18.67"	27.91"	9.25"	—	None
5646†	Shock	—	—	CLEV	S1	14.56"	21.33"	6.77"	—	P01523
5647	Shock	—	—	LS38	S1	14.69"	22.29"	7.6"	—	P01431
5648†	Shock	—	—	CLEV	S5	16.97"	23.13"	6.16"	—	P01637,P00590
5654	Shock	—	—	CLEV	S34	16.19"	20.53"	4.34"	—	P01720
5656†	Shock	—	—	LS43	LS27	12.98"	20.83"	7.85"	—	None
5657	Shock	—	—	LS31	LS26	10"	14.79"	4.46"	—	None
5658†	Shock	—	—	LS28	S4	17.55"	22.86"	5.31"	—	P01136
5659†	Shock	—	—	SPEC	S1	16.46"	20.87"	4.41"	—	P01488
5662	Shock	—	—	LS102	S1	14.04"	22.29"	8.25"	—	P01431
5663†	Shock	—	—	LS43	S1	15.8"	25.64"	9.64"	—	P01431
5664†	Shock	—	—	LS65	S1	14.2"	20.44"	6.24"	—	P01698
5666†	Shock	—	—	LS43	S7	11.38"	18.23"	6.85"	—	P01699
5667†	Shock	—	—	XP4	S1	12.25"	19.33"	7.06"	—	P00857,P00906
5668	Shock	—	—	LS92	LS30	10.6"	16.16"	5.56"	—	None
5671†	Shock	—	—	LS25	LS30	10.45"	15.31"	4.86"	—	None
5672†	Shock	—	—	LS25	LS30	9.95"	14.31"	4.36"	—	None
5673	Shock	—	—	LS28	S4	18.4"	23.1"	4.69"	—	P01136
5675†	Shock	—	—	LS6	S6	15.64"	23.75"	8.11"	—	P01136
5677	Shock	—	—	LS27	S1	15.16"	23.43"	8.27"	—	BE17110294
5678†	Shock	—	—	LS25	S7	13.79"	20.58"	6.79"	—	None
5681	Shock	—	—	S1	S1	11.35"	19.69"	6.01"	—	P00522
5682†	Shock	—	—	LS6	S4	18.94"	23.62"	4.68"	—	P01136
5683	Shock	—	—	LS25	S7	19.01"	28.13"	9.12"	—	P01699
5684	Shock	—	—	LS84	S5	15.16"	22.37"	3.86"	—	P01733
5685†	Shock	—	—	LS33	S5	18"	23.87"	5.87"	—	P01733
5687	Shock	—	—	LS84	S5	14.66"	23.87"	5.86"	—	P01733
5688	Shock	—	—	S1	LS35	17.6"	26.67"	9.07"	—	None
5689	Shock	—	—	LS43	S1	15.3"	24.89"	9.59"	—	P01431
5697†	Shock	—	—	LS25	S7	19.01"	28.13"	9.12"	—	P01699
5698	Shock	—	—	LS27	S6	18.09"	21.55"	3.46"	—	P01744
5699	Shock	—	—	LS43	S1	16.18"	25.27"	9.09"	—	P01431
5751	Shock	—	—	S4	S4	8.5"	13.44"	4.94"	—	P01134
5752	Shock	—	—	L1	L1	8.63"	12.75"	4.13"	—	None
5753	Shock	—	—	L1	S4	10.38"	16.75"	6.38"	—	P01134
5754	Shock	—	—	XP1	S4	9.63"	15.13"	5.5"	—	P01134
5756†	Shock	—	—	SP	S4	10"	15.5"	5.5"	—	P01137,P00423
5757	Shock	—	—	L1/CP3	L1/CP3	14"	23.63"	9.63"	—	P00572,P00576
5758†	Shock	—	—	S4	S4	9.38"	14.63"	5.25"	—	P01134
5759	Shock	—	—	XP12	S4	9.38"	14.88"	5.5"	—	P01137
5760	Shock	—	—	LS14	L1	14.63"	24.88"	10.25"	—	None
5761	Shock	—	—	L2	S4	11.75"	19"	7.25"	—	P01135
5762†	Shock	—	—	XP5	L2	10.63"	15.25"	4.63"	—	None
5763†	Shock	—	—	LS37	S3	9.88"	14.75"	4.88"	—	P00002
5765	Shock	—	—	XP6	SPEC	10.13"	15.5"	5.38"	—	P00002
5766	Shock	—	—	L1	XP7	12.88"	21.13"	8.25"	—	None
5772	Shock	—	—	L2	S4	12.63"	20.75"	8.13"	—	P01135
5778	Shock	—	—	LS47	S4	11.5"	17.88"	6.38"	—	P01417
5779	Shock	—	—	LS47	LS29	10.5"	16.13"	5.63"	—	None
5780	Shock	—	—	LS47	LS29	11.5"	17.75"	6.25"	—	None
5783	Shock	—	—	LS26	S4	12.5"	20"	7.5"	—	P01136

† Bumper Stop Unit. Dimension Shown at Bumper Contact

‡ Hydraulic Lockout Unit. Dimension Shown is Metal-to-Metal, Subtract Approximately 5/8" (.62) from the Extended Length for Start-of-Engagement.

# MOUNTING & LENGTH SPECIFICATIONS

Part No.	Part Type	STRUT BODY		END CODE		LENGTHS			Spring (Rate)	Parts Pack(s)
		Type	Length	Body	Rod	Comp.	Ext.	Trav.		
5784†	Shock	—	—	LS38	LS38	11.22"	17.57"	6.35"	—	None
5786	Shock	—	—	LS45	S1	15.63"	27"	11.38"	—	P01479
5794	Shock	—	—	SPEC	S4	14.38"	24.2"	9.82"	—	P01136
5795	Shock	—	—	SPEC	S1	14.28"	20.05"	5.77"	—	P00906,P01488
5796	Shock	—	—	LS25	S4	15.72"	24.68"	8.96"	—	P01134
5797	Shock	—	—	LS30	S4	18.1"	25.3"	7.2"	—	P01722
5799	Shock	—	—	LS27	SPEC	13.72"	23.04"	9.32"	—	None
5801	Shock	—	—	XP5	S4	9.25"	14.38"	5.13"	—	P01134
5802	Shock	—	—	L1/CP3	XP7	12.75"	20.88"	8.13"	—	P00576
5803	Shock	—	—	L1/CP3	S4	12.75"	21.5"	8.75"	—	P00576,P01134
5804	Shock	—	—	XP4	S4	8.63"	13.38"	4.75"	—	P01134
5809†	Shock	—	—	SP	S4	9"	13.63"	4.63"	—	P00423,P01136
5811	Shock	—	—	LS15	S4	8"	12.25"	4.25"	—	P01134
5815	Shock	—	—	LS19	S4	8.75"	13.25"	4.5"	—	P01134
5818	Shock	—	—	L1/CP3	S4	11.63"	19.38"	7.75"	—	P00576,P01134
5819†	Shock	—	—	S4	S4	9.25"	14.13"	4.88"	—	P01134
5820	Shock	—	—	L1/CP3	XP7	14.13"	24"	9.88"	—	P00576
5821†	Shock	—	—	XP4	S4	8"	11.75"	3.75"	—	P01134
5823†	Shock	—	—	SP	S4	8.63"	12.63"	4"	—	P00423,P01137
5826	Shock	—	—	S4	S4	10.13"	16.38"	6.25"	—	P01134
5827†	Shock	—	—	LS26	S4	9.3"	14.04"	4.74"	—	None
5829	Shock	—	—	S4	S4	7.13"	10.75"	3.63"	—	P01135
5831	Shock	—	—	S4	XP7	12.25"	20.5"	8.25"	—	P01137
5837	Shock	—	—	S4	LS39	11.38"	18.63"	7.25"	—	P01134
5839	Shock	—	—	L1/CP3	S4	11.13"	18.13"	7"	—	P00576,P01134
5840	Shock	—	—	XP4	S4	8.75"	13.25"	4.5"	—	P01134
5843†	Shock	—	—	LS47	LS48	10"	12.88"	2.88"	—	None
5845	Shock	—	—	LS26	S4	12.25"	20.13"	7.88"	—	P01136
5847	Shock	—	—	L1/CP3	S4	12.38"	20.5"	8.13"	—	P00576,P01136
5850	Shock	—	—	L1	LS14	9.5"	14"	4.5"	—	None
5861	Shock	—	—	LS26	S4	14.75"	23.75"	9"	—	P01136
5867	Shock	—	—	L1/CP3	S4	11.75"	19"	7.25"	—	P01134,P00576
5868†	Shock	—	—	LS30	LS38	11.5"	17.5"	6"	—	None
5870	Shock	—	—	L1	S4	14.25"	23.88"	9.63"	—	P01137
5877	Shock	—	—	LS23	LS33	10.38"	15.88"	5.5"	—	None
5892†	Shock	—	—	XP7	S4	10.5"	13.75"	3.25"	—	P01134
5893	Shock	—	—	LS52	LS40	9.38"	14.25"	4.88"	—	None
5896	Shock	—	—	LS4	S4	13.13"	22.13"	9"	—	P01134
5897	Shock	—	—	LS7	S4	16.13"	21.25"	5.13"	—	P01134
5906	Shock	—	—	XP5	S4	9.38"	14.63"	5.25"	—	P01134
5921†	Shock	—	—	LS4	XP7	8.75"	12.38"	3.63"	—	None
5928†	Shock	—	—	LS83	S4	14.38"	24"	9.63"	—	P01134
5930	Shock	—	—	LS32	LS32	11.88"	18.38"	6.5"	—	None
5931	Shock	—	—	LS14	XP7	18.88"	21.25"	2.38"	—	P00436
5939†	Shock	—	—	LS52	S4	9.63"	14.88"	5.25"	—	P01134
5947†	Shock	—	—	LS74	S1	14.38"	21.75"	7.38"	—	P01180
5948†	Shock	—	—	LS7	LS7	14"	22.75"	8.75"	—	None
5955†	Shock	—	—	L1/CP3	XP7	13.13"	21.25"	8.13"	—	P00576
5960†	Shock	—	—	XP4	S4	9.13"	13.75"	4.63"	—	P01136
5961†	Shock	—	—	L1/CP3	S4	12.13"	20"	7.88"	—	P01136,P00576
5962†	Shock	—	—	LS7	LS7	13.38"	21.5"	8.13"	—	None
5965†	Shock	—	—	LS47	S4	14.5"	19.13"	4.63"	—	P01136
5966†	Shock	—	—	L1/CP3	XP7	13.13"	21.25"	8.13"	—	P00576,P00941
5967†	Shock	—	—	L1/CP3	S4	12.13"	19.63"	7.5"	—	P01136,P00576
5968†	Shock	—	—	LS26	S4	14.5"	19.13"	4.63"	—	P01136
5969†	Shock	—	—	XP4	S4	9.13"	13.75"	4.63"	—	P01136
5970†	Shock	—	—	SPEC	S4	11.38"	18.63"	7.25"	—	P01180,P01181
5971	Shock	—	—	SPEC	S4	15"	21"	6"	—	P01401,P01136
5974†	Shock	—	—	LS74	S1	15.13"	24"	8.88"	—	BE17110294
5975	Shock	—	—	LS43	S1	10.5"	17"	6.5"	—	BE17110308
5981†	Shock	—	—	LS27	S1	14.38"	23.63"	9.25"	—	BE17110294

† Bumper Stop Unit. Dimension Shown at Bumper Contact

‡ Hydraulic Lockout Unit. Dimension Shown is Metal-to-Metal, Subtract Approximately 5/8" (.62) from the Extended Length for Start-of-Engagement.

# MOUNTING & LENGTH SPECIFICATIONS

Part No.	Part Type	STRUT BODY		END CODE		LENGTHS			Spring (Rate)	Parts Pack(s)
		Type	Length	Body	Rod	Comp.	Ext.	Trav.		
5984	Shock	—	—	LS7	S1	16.5"	25.75"	9.25"	—	None
5986†	Shock	—	—	LS25	LS97	12.88"	17.88"	5"	—	None
5987†	Shock	—	—	LS26	S1	16"	26.25"	10.25"	—	P00906
5988†	Shock	—	—	LS27	S1	14.38"	24.13"	9.75"	—	BE17110294
5989†	Shock	—	—	LS28	LS33	11.75"	18.13"	6.38"	—	None
5990†	Shock	—	—	SPEC	S1	14.63"	21.13"	6.5"	—	P00906
5993†	Shock	—	—	LS74	S4	12.5"	21.25"	8.75"	—	P01136
5998	Shock	—	—	LS27	S1	14.63"	23.5"	8.88"	—	BE17110294
5999	Shock	—	—	LS31	S1	13.75"	21"	7.25"	—	BE17110496
31000	Shock	—	—	L1	L1	12"	19.5"	7.5"	—	P00411
31029	Shock	—	—	L1	S4	9.63"	15.38"	5.75"	—	P01134
31069†	Shock	—	—	S4	S4	10.75"	17.25"	6.5"	—	P01134,P01137
31089	Shock	—	—	LS23	LS23	10.38"	16.25"	5.88"	—	P00110
31094	Shock	—	—	L1	L1	14.32"	23.13"	8.81"	—	P00829
31125	Shock	—	—	S4	S4	12.25"	20.75"	8.5"	—	P01137
31131	Shock	—	—	L2	L2	14.13"	23.38"	9.25"	—	None
31162	Shock	—	—	S4	L1	11.88"	19.38"	7.5"	—	P01137
31176	Shock	—	—	S4	S4	7.13"	10.63"	3.5"	—	P01135
31538†	Shock	—	—	LS23	S4	14.13"	16.75"	2.63"	—	P00124,P01137
31542	Shock	—	—	LS30	LS23	10.38"	16.25"	5.88"	—	None
32022	Shock	—	—	LS12	S4	9.88"	15.75"	5.88"	—	P01134
32066	Shock	—	—	XP7	S4	9.25"	14.5"	5.25"	—	P01134
32067	Shock	—	—	LS19	S4	8.68"	13.37"	4.69"	—	P01134
32073	Shock	—	—	L2	LS28	13.63"	22.5"	8.88"	—	None
32075†	Shock	—	—	LS25	S4	10.62"	16.48"	5.86"	—	P01135
32080	Shock	—	—	LS26	S4	12.38"	19.75"	7.38"	—	P01134
32103†	Shock	—	—	S4	L1	11.5"	17.88"	6.38"	—	P01135,P00576
32112	Shock	—	—	S4	XP7	12.25"	20.38"	8.13"	—	P01137
32113	Shock	—	—	LS23	S4	8.88"	13.75"	4.88"	—	P01134
32118†	Shock	—	—	LS20	S4	8.38"	11"	2.63"	—	P01135
32126	Shock	—	—	L1/CP1	S4	11.75"	19.38"	7.63"	—	P00576,P01134
32127	Shock	—	—	XP7	S4	8.63"	13.25"	4.63"	—	P01135
32132	Shock	—	—	SPEC	S4	8.68"	13.37"	4.69"	—	P01134
32134	Shock	—	—	LS18	S4	8.13"	12.13"	4"	—	P01134
32143	Shock	—	—	LS14	S4	11.63"	19.25"	7.63"	—	P01134,P00436
32164	Shock	—	—	LS26	L1	12.84"	20.38"	7.54"	—	P57
32186	Shock	—	—	LS92	XP7	14.5"	24"	9.5"	—	None
32191	Shock	—	—	LS17	S4	10.25"	16.5"	6.25"	—	P01135
32194†	Shock	—	—	LS39	LS39	11.5"	16.5"	5"	—	None
32196†	Shock	—	—	XP7	S4	12.5"	19.88"	7.38"	—	P01136
32197	Shock	—	—	L1	XP7	12.38"	20.38"	8"	—	None
32202†	Shock	—	—	LS26	S4	12.13"	19.75"	7.63"	—	P01136
32206	Shock	—	—	LS23	S4	8.38"	12.5"	4.13"	—	P01137
32207	Shock	—	—	L1	L1	11.25"	17.88"	6.63"	—	P00411
32212	Shock	—	—	LS74	LS74	13.88"	22.88"	9"	—	None
32214	Shock	—	—	XP7	S4	8.63"	13"	4.38"	—	P01135
32215	Shock	—	—	LS28	XP7	13.75"	22.75"	9"	—	None
32217	Shock	—	—	LS23	S4	9.25"	14.38"	5.13"	—	P01134
32219†	Shock	—	—	LS38	S4	14.4"	23.87"	9.47"	—	P01135
32220	Shock	—	—	LS26	L1	11.63"	18.25"	6.63"	—	None
32224	Shock	—	—	XP7	S4	9.5"	14"	4.5"	—	P1134
32225†	Shock	—	—	LS92	XP7	16.34"	26.75"	10.41"	—	None
32226†	Shock	—	—	LS26	S4	10.5"	15.88"	5.38"	—	P01135
32227†	Shock	—	—	LS26	S4	9.63"	14.75"	5.13"	—	P01135
32228	Shock	—	—	LS26	L1	12.88"	21.38"	8.5"	—	P570
32230†	Shock	—	—	LS26	LS28	11.88"	18.13"	6.25"	—	None
32231	Shock	—	—	LS26	L1	13.38"	22.88"	9.5"	—	None
32233†	Shock	—	—	LS28	LS28	11.75"	18"	6.25"	—	None
32235†	Shock	—	—	L1	S4	9.25"	14"	4.75"	—	P01135
32237	Shock	—	—	LS26	L1	13.88"	22.88"	9"	—	P00827
32238	Shock	—	—	LS26	L1	15.34"	26.41"	11.07"	—	P00827

† Bumper Stop Unit. Dimension Shown at Bumper Contact

‡ Hydraulic Lockout Unit. Dimension Shown is Metal-to-Metal, Subtract Approximately 5/8" (.62) from the Extended Length for Start-of-Engagement.

# MOUNTING & LENGTH SPECIFICATIONS

Part No.	Part Type	STRUT BODY		END CODE		LENGTHS			Spring (Rate)	Parts Pack(s)
		Type	Length	Body	Rod	Comp.	Ext.	Trav.		
32239	Shock	—	—	LS26	L1	14.97"	24.63"	9.66"	—	None
32242	Axle Damper	—	—	LS26	LS26	12.65"	18.11"	5.46"	—	None
32243†	Shock	—	—	LS26	S4	9.25"	14"	4.75"	—	P01135
32245	Shock	—	—	LS50	S4	8.75"	13.5"	4.75"	—	P01134
32247†	Shock	—	—	L3	L3	13.63"	21.63"	8"	—	P00575
32248†	Shock	—	—	L3	S4	12.88"	20.88"	8"	—	P01134,P00081
32249	Shock	—	—	LS23	S4	9.38"	14.63"	5.25"	—	P01134
32250	Shock	—	—	LS38	S4	9.63"	14.88"	5.25"	—	P01135
32251	Shock	—	—	LS28	XP7	15.5"	25.88"	10.38"	—	None
32252†	Shock	—	—	XP7	S4	13"	21.13"	8.13"	—	P01136
32253	Shock	—	—	LS26	XP7	15"	25.25"	10.25"	—	P00941
32254†	Shock	—	—	LS28	LS77	11"	16.38"	5.38"	—	None
32258	Shock	—	—	XP7	S4	8.63"	13.38"	4.75"	—	P01134
32259†	Shock	—	—	L1	S4	9.38"	14.25"	4.88"	—	P01135
32260	Shock	—	—	LS26	S4	12.25"	20.63"	8.38"	—	P01135
32263†	Shock	—	—	LS28	LS77	11.34"	16.44"	5.1"	—	None
32264†	Shock	—	—	LS92	XP7	14"	22.63"	8.63"	—	P00941
32265†	Shock	—	—	LS92	XP7	14.88"	24"	9.13"	—	None
32266†	Shock	—	—	LS92	XP7	15.5"	25.38"	9.88"	—	None
32267†	Shock	—	—	L1	S4	9.88"	14.63"	4.75"	—	P01135
32268	Shock	—	—	LS26	S4	13.13"	21.75"	8.63"	—	P01135
32269†	Shock	—	—	LS25	L1	13.38"	21.5"	8.13"	—	None
32270	Shock	—	—	L1	L1	15.13"	25"	9.88"	—	None
32271	Shock	—	—	LS23	S4	10.25"	15.38"	5.13"	—	P01134
32272†	Shock	—	—	L3	LS78	12.63"	19.75"	7.13"	—	P00120
32273	Shock	—	—	LS24	S4	9.13"	13.63"	4.5"	—	P01134
32274†	Shock	—	—	LS50	S4	11.75"	18.13"	6.38"	—	P01134
32275†	Shock	—	—	LS26	LS27	10.5"	15.75"	5.25"	—	None
32277†	Shock	—	—	LS92	S5	9.5"	13.75"	4.25"	—	P01167
32278	Shock	—	—	LS92	LS92	15.47"	24.63"	9.16"	—	None
32279‡	Shock	—	—	LS92	S5	13.88"	21.75"	7.88"	—	P01167
32280†	Shock	—	—	LS26	S4	10.13"	15"	4.88"	—	P1135
32284	Shock	—	—	LS26	S4	13.88"	22.75"	8.88"	—	P01136
32285†	Shock	—	—	LS26	S4	11.25"	16.75"	5.5"	—	P01135
32286†	Shock	—	—	S4	S4	13.5"	22.13"	8.63"	—	P01137
32288†	Shock	—	—	LS26	LS26	14.13"	22.38"	8.25"	—	None
32290†	Shock	—	—	LS28	LS28	11.25"	17.13"	5.88"	—	None
32292	Shock	—	—	XP7	S4	9.38"	14.5"	5.13"	—	P01134
32293†	Shock	—	—	L1	L1	11.97"	19.66"	7.69"	—	None
32294†	Shock	—	—	L3	L3	12.88"	20.38"	7.5"	—	P00575
32295†	Shock	—	—	L3	L3	12.5"	19.63"	7.13"	—	P00575
32296†	Shock	—	—	XP7	S4	13.5"	17.88"	4.38"	—	P01135,P00941
32299	Shock	—	—	SPEC	S4	15"	21"	6"	—	P01136,P01401
32300	Shock	—	—	XP7	S4	8.38"	12.75"	4.38"	—	P01134
32301	Shock	—	—	LS24	LS24	11.88"	18.25"	6.38"	—	P00816
32302†	Shock	—	—	XP7	S5	10.25"	15"	4.75"	—	P01167
32303	Shock	—	—	LS26	S4	13.88"	23.75"	9.88"	—	P01135
32304†	Shock	—	—	LS39	S4	10.04"	14.26"	4.22"	—	P1136
32305	Shock	—	—	LS26	S4	15.63"	27.25"	11.63"	—	P1136
32306†	Shock	—	—	LS24	XP7	12.5"	19.63"	7.13"	—	None
32315†	Shock	—	—	LS22	S4	13"	21.5"	8.5"	—	P01134
32316†	Shock	—	—	LS26	S4	11.5"	18.25"	6.75"	—	P01134
32317†	Shock	—	—	XP7	S4	9.13"	13.75"	4.63"	—	P01136
32318	Shock	—	—	XP7	S4	8.5"	13"	4.5"	—	P01135
32319†	Shock	—	—	LS28	LS28	14.47"	22.81"	8.34"	—	None
32321†	Shock	—	—	LS28	LS28	15.25"	24.63"	9.38"	—	None
32322†	Shock	—	—	LS26	LS26	13.75"	21.75"	8"	—	None
32323†	Shock	—	—	LS26	LS26	14.38"	23.13"	8.75"	—	None
32324	Shock	—	—	LS43	S4	14.27"	23.93"	9.66"	—	P01135
32325	Shock	—	—	LS43	S4	16.13"	27.38"	11.25"	—	P01136
32326†	Shock	—	—	XP7	S4	10.38"	14.38"	4"	—	P01135

† Bumper Stop Unit. Dimension Shown at Bumper Contact

‡ Hydraulic Lockout Unit. Dimension Shown is Metal-to-Metal, Subtract Approximately 5/8" (.62) from the Extended Length for Start-of-Engagement.



# MOUNTING & LENGTH SPECIFICATIONS

Part No.	Part Type	STRUT BODY		END CODE		LENGTHS			Spring (Rate)	Parts Pack(s)
		Type	Length	Body	Rod	Comp.	Ext.	Trav.		
32327†	Shock	—	—	LS92	LS92	15.55"	23.81"	8.26"	—	None
32328†	Shock	—	—	CLEV	S4	10.97"	15.07"	4.1"	—	P01136
32329†	Shock	—	—	LS43	LS43	15.38"	25.5"	10.13"	—	None
32330†	Shock	—	—	XP7	S4	10.38"	13.63"	3.25"	—	P01135
32333†	Shock	—	—	LS26	LS26	12.5"	20.13"	7.63"	—	None
32334†	Shock	—	—	L3	S4	12.38"	20"	7.63"	—	P01134,P00081
32335†	Shock	—	—	LS30	LS52	14.38"	23.13"	8.75"	—	None
32336†	Shock	—	—	LS23	S4	9.63"	15"	5.38"	—	P01134
32337†	Shock	—	—	LS78	S4	11.63"	18.63"	7"	—	P01134
32338†	Shock	—	—	XP7	S4	13"	21.13"	8.13"	—	P01136,P00941
32339†	Shock	—	—	LS25	LS29	13.38"	21.75"	8.38"	—	None
32340†	Shock	—	—	XP7	S5	10.25"	15"	4.75"	—	P01167
32341†	Shock	—	—	LS92	LS92	16"	26.13"	10.13"	—	None
32344†	Shock	—	—	LS92	LS92	14.43"	22.94"	8.51"	—	None
32345†	Shock	—	—	LS92	LS92	15.05"	24.07"	9.02"	—	None
32346†	Shock	—	—	XP7	S4	11.5"	17.88"	6.38"	—	P01135,P00941
32347†	Shock	—	—	SPEC	S4	10.88"	15.38"	4.5"	—	P01135
32348†	Shock	—	—	LS47	LS47	14.75"	23.5"	8.75"	—	None
32350†	Shock	—	—	LS42	S5	10.25"	15.13"	4.88"	—	P01167
32355	Axle Damper	—	—	LS26	LS26	11.81"	15.82"	4.01"	—	None
32356†	Shock	—	—	L1	S5	10.13"	15"	4.88"	—	P01167
32357	Shock	—	—	LS26	L1	16.5"	28.25"	11.75"	—	None
32358†	Shock	—	—	LS26	L1	14.25"	22.88"	8.63"	—	None
32359	Shock	—	—	LS26	L1	18"	31"	13"	—	None
32361	Shock	—	—	LS24	L1	10.38"	16"	5.63"	—	P00019
32362†	Shock	—	—	XP7	S4	9.63"	14"	4.38"	—	P01134
32363†	Shock	—	—	LS54	LS88	14.5"	22.75"	8.25"	—	None
32365	Shock	—	—	LS92	LS92	15.75"	26.13"	10.38"	—	None
32366‡	Shock	—	—	LS92	S5	14.38"	22.75"	8.38"	—	P01167
32370	Shock	—	—	L1	L1	16.13"	27.25"	11.13"	—	None
32372†	Shock	—	—	LS26	L1	14"	22.25"	8.25"	—	None
32373‡	Shock	—	—	LS77	LS77	11.75"	15.88"	4.13"	—	None
32375	Shock	—	—	L2	LS28	15.5"	25.88"	10.38"	—	None
32376	Shock	—	—	XP7	S4	10"	15.5"	5.5"	—	P01135
32377	Shock	—	—	L1	L1	12.63"	19.75"	7.13"	—	None
32381	Shock	—	—	L1	S4	11.5"	18.38"	6.88"	—	P01135
32383	Shock	—	—	XP7	S4	9.38"	14.5"	5.13"	—	P01134
32384	Shock	—	—	LS92	LS92	14"	23.13"	9.13"	—	None
32385	Shock	—	—	L2	LS28	14.75"	25.38"	10.63"	—	None
32386	Shock	—	—	LS26	L1	15.97"	26.38"	10.41"	—	None
32388	Shock	—	—	LS23	S4	8.75"	13.38"	4.63"	—	P01134
32389†	Shock	—	—	LS50	L1	13.38"	20.75"	7.38"	—	None
32390†	Shock	—	—	XP7	S6	9.88"	14.25"	4.38"	—	P01167
32391	Shock	—	—	LS47	LS47	16"	26.5"	10.5"	—	None
32392†	Shock	—	—	LS47	S6	10.75"	15.88"	5.13"	—	P01167
32394†	Shock	—	—	LS26	L1	13.88"	21.88"	8"	—	None
32395	Shock	—	—	LS26	XP7	16.88"	28.25"	11.38"	—	None
32399	Shock	—	—	LS31	S1	15.88"	23.63"	7.75"	—	P00906
32400	Shock	—	—	XP12	S5	11"	16.38"	5.38"	—	P01167
32401	Shock	—	—	LS47	LS47	16.5"	27.5"	11"	—	None
32402	Shock	—	—	LS47	S5	14.5"	22.75"	8.25"	—	P01167
32403	Shock	—	—	LS7	S1	16.46"	25.79"	9.33"	—	None
32404	Shock	—	—	LS38	S4	15.72"	24.68"	8.96"	—	P01134
32405	Shock	—	—	LS23	SPEC	11.07"	16.38"	5.31"	—	None
32406	Shock	—	—	LS28	LS30	15.25"	24.32"	9.07"	—	None
32407	Shock	—	—	LS39	LS30	15.19"	24.88"	9.69"	—	None
32410	Shock	—	—	SPEC	S1	14.66"	21.42"	6.76"	—	P00906
32545	Shock	—	—	LS23	LS23	13.63"	22.75"	9.13"	—	P00110
32592†	Shock	—	—	LS27	LS27	10.63"	16.25"	5.63"	—	P00110
33033	Shock	—	—	LS26	L1	10.13"	14.63"	4.5"	—	P00019
33049	Shock	—	—	L1/CP1	S4	12.63"	21.25"	8.63"	—	P00576,P01134

† Bumper Stop Unit. Dimension Shown at Bumper Contact

‡ Hydraulic Lockout Unit. Dimension Shown is Metal-to-Metal, Subtract Approximately 5/8" (.62) from the Extended Length for Start-of-Engagement.

# MOUNTING & LENGTH SPECIFICATIONS

Part No.	Part Type	STRUT BODY		END CODE		LENGTHS			Spring (Rate)	Parts Pack(s)
		Type	Length	Body	Rod	Comp.	Ext.	Trav.		
33050	Shock	—	—	L1/CP1	XP7	14.13"	23.88"	9.75"	—	P00576
33053†	Shock	—	—	SP	S4	9.13"	13.63"	4.5"	—	P00423,P01136
33059†	Shock	—	—	SP	XP7	9.5"	14.25"	4.75"	—	P00423
33074	Shock	—	—	LS24	LS24	11.88"	18.25"	6.38"	—	P00816
33076	Shock	—	—	LS37	LS37	9.93"	14.63"	4.7"	—	None
33082	Shock	—	—	L1/CP3	XP4	12.69"	20.76"	8.07"	—	P00576
33084	Shock	—	—	LS24	LS24	14.13"	22.88"	8.75"	—	P00019
33086	Shock	—	—	LS29	LS29	12.88"	21"	8.13"	—	None
33095†	Shock	—	—	LS7	LS7	13.38"	21.5"	8.13"	—	None
33097	Shock	—	—	L1/CP1	S4	12.25"	20.38"	8.13"	—	P00576,P01136
33101†	Shock	—	—	LS92	LS92	13.13"	16.25"	3.13"	—	None
33108†	Shock	—	—	LS7	S4	16.13"	21.25"	5.13"	—	P01134
33122†	Shock	—	—	L1/CP1	S4	11.63"	18.75"	7.13"	—	P01134,P00576
33123	Shock	—	—	XP7	S4	9.25"	14.63"	5.38"	—	P01134
33127†	Shock	—	—	XP4	S4	9.13"	13.75"	4.63"	—	P01136
33128†	Shock	—	—	L1/CP1	S4	12.13"	19.5"	7.38"	—	P01136,P00576
33134†	Shock	—	—	LS92	S4	14.5"	19.13"	4.63"	—	P01136
33136†	Shock	—	—	L1/CP1	S4	12.13"	19.5"	7.38"	—	P01136,P00576
33137†	Shock	—	—	LS26	S4	14.5"	19.13"	4.63"	—	P01136
33178	Shock	—	—	LS21	S4	10"	14.5"	4.5"	—	P01134
33179†	Shock	—	—	LS92	XP5	14.31"	22.96"	8.65"	—	None
33180†	Shock	—	—	LS23	S4	8"	11.91"	3.88"	—	P01137
33181	Shock	—	—	L1	L1	14"	22.5"	8.5"	—	None
33182	Shock	—	—	LS23	S4	8.25"	11.69"	3.44"	—	P01137
33183	Shock	—	—	LS92	LS30	10.49"	16.04"	5.55"	—	None
33184†	Shock	—	—	LS77	LS40	14.45"	23.1"	8.65"	—	None
33185†	Shock	—	—	LS27	S4	18.3"	22.05"	3.75"	—	P01744
33187†	Shock	—	—	LS82	S4	15.21"	25.1"	9.89"	—	P01137
33188†	Shock	—	—	LS26	LS84	11.55"	18.44"	6.89"	—	None
33189†	Shock	—	—	LS92	S4	11.45"	17.77"	6.32"	—	P01417
33190†	Shock	—	—	LS28	LS28	10.4"	14.91"	4.51"	—	None
33191†	Shock	—	—	LS28	LS30	13.82"	21.84"	8.02"	—	None
33192†	Shock	—	—	LS38	LS38	11.26"	16.78"	5.52"	—	None
33193†	Shock	—	—	LS44	SPEC	10.28"	15.96"	5.68"	—	None
33194†	Shock	—	—	LS38	XP16	14.01"	22.53"	8.52"	—	None
33195	Shock	—	—	LS92	LS30	11.37"	17.67"	6.3"	—	None
33196†	Shock	—	—	SPEC	S15	16.54"	20.95"	4.41"	—	P01488
33197†	Shock	—	—	LS34	S4	12.45"	20.15"	7.7"	—	P01136
33198†	Shock	—	—	LS32	S4	12.46"	20.03"	7.57"	—	P01136
33200	Shock	—	—	LS51	S41	15.18"	25.12"	9.94"	—	P01136
33201	Shock	—	—	LS50	LS50	11.69"	17"	5.32"	—	None
33202	Shock	—	—	LS31	S4	15.5"	26.07"	10.57"	—	P01136
33203	Shock	—	—	LS16	S4	17.78"	21.56"	3.78"	—	P01136
33204	Shock	—	—	LS29	S21	13.5"	16.65"	3.14"	—	P00839
33205	Shock	—	—	LS29	SPEC	12.42"	17.33"	4.91"	—	None
33206	Shock	—	—	LS51	S41	15.69"	26.43"	10.74"	—	P01136
33207	Shock	—	—	LS108	LS107	10.49"	16.04"	5.55"	—	None
33208	Shock	—	—	LS23	S41	13.5"	22.46"	8.96"	—	P01134
33209	Shock	—	—	LS32	S4	14.95"	23.79"	8.84"	—	P01603
33210	Shock	—	—	LS37	S8	19.01"	28.13"	9.11"	—	P01699
33211	Shock	—	—	LS51	S4	17.38"	23.5"	6.13"	—	P01136
33212	Shock	—	—	LS68	S53	14.83"	24.1"	9.27"	—	P01167
33213	Shock	—	—	LS23	S41	13.02"	21.48"	8.46"	—	P01134
33214	Shock	—	—	LS50	S1	16.7"	22.94"	6.24"	—	P00906
33215	Shock	—	—	LS52	LS74	15.11"	24.05"	8.94"	—	None
33216	Shock	—	—	CLEV	S14	20.32"	27.52"	7.19"	—	P01505, P01524
33217	Shock	—	—	LS40	S5	11.98"	15.44"	3.46"	—	P01614
33218	Shock	—	—	LS109	LS108	15.04"	24.18"	9.14"	—	None
33219	Shock	—	—	LS84	S5	18"	23.87"	5.87"	—	P01733
33221	Shock	—	—	LS30	S41	21.16"	25.06"	3.91"	—	P01722
33222	Shock	—	—	LS47	L1	12.54"	20.21"	7.67"	—	None

† Bumper Stop Unit. Dimension Shown at Bumper Contact

‡ Hydraulic Lockout Unit. Dimension Shown is Metal-to-Metal, Subtract Approximately 5/8" (.62) from the Extended Length for Start-of-Engagement.

# MOUNTING & LENGTH SPECIFICATIONS

Part No.	Part Type	STRUT BODY		END CODE		LENGTHS			Spring (Rate)	Parts Pack(s)
		Type	Length	Body	Rod	Comp.	Ext.	Trav.		
33223	Shock	—	—	LS44	LS44	11.79"	17.69"	5.9"	—	None
33224	Shock	—	—	SPEC	S1	14.67"	21.32"	6.46"	—	P00906
33225	Shock	—	—	LS109	LS108	14.42"	22.94"	8.52"	—	None
33226	Shock	—	—	LS31	S4	17.72"	21.81"	4.09"	—	P01136
33274	Shock	—	—	LS27	LS27	11.47"	17.41"	5.94"	—	None
33275	Shock	—	—	L1	S4	13.03"	21.85"	8.82"	—	P01137
34501†	Shock	—	—	CLEV	S4	10.88"	15.25"	4.38"	—	P01135
34504†	Shock	—	—	LS42	S5	10.38"	15.13"	4.75"	—	P01167
34514†	Shock	—	—	XP10	S5	9.88"	14.25"	4.38"	—	P01167
34515	Shock	—	—	LS47	LS47	16"	26.5"	10.5"	—	None
34516†	Shock	—	—	LS47	S5	10.75"	15.88"	5.13"	—	P01167
34517	Shock	—	—	LS26	XP7	15.25"	25.13"	9.88"	—	None
34518†	Shock	—	—	LS26	L1	13.75"	21.88"	8.13"	—	None
34519	Shock	—	—	LS26	XP7	16.75"	28.25"	11.5"	—	None
34520†	Shock	—	—	XP12	S5	11"	16.38"	5.38"	—	P01167
34521	Shock	—	—	LS47	LS47	16.5"	27.5"	11"	—	None
34522†	Shock	—	—	LS47	S5	14.5"	22.75"	8.25"	—	P01167
34523	Shock	—	—	LS47	S5	13.63"	20.75"	7.13"	—	P01167
34524	Shock	—	—	LS26	LS49	14.75"	24.75"	10"	—	None
34525	Shock	—	—	LS92	S5	13.63"	20.75"	7.13"	—	P01167
34526	Shock	—	—	LS38	L1	17.56"	29.63"	12.06"	—	None
34529†	Shock	—	—	LS92	LS80	15.24"	22.62"	7.38"	—	None
34530†	Shock	—	—	XP4	S4	9.75"	14.02"	4.27"	—	P01136
34531	Shock	—	—	LS43	XP5	13.69"	21.57"	7.88"	—	None
34532	Shock	—	—	LS39	XP4	15.19"	24.32"	9.13"	—	None
34534†	Shock	—	—	LS92	S5	14.75"	21.38"	6.63"	—	P01167
34535†	Shock	—	—	LS92	LS92	17.18"	27.69"	10.51"	—	None
34655†	Shock	—	—	XP5	S5	10.25"	14.88"	4.63"	—	P01167
34656	Shock	—	—	LS26	S4	14.38"	24.25"	9.88"	—	P01135
34657†	Shock	—	—	LS39	S4	10"	14.25"	4.25"	—	P01136
34658	Shock	—	—	LS26	S4	16"	27.5"	11.5"	—	P01136
34671†	Shock	—	—	LS26	LS26	13.63"	21.63"	8"	—	None
34672†	Shock	—	—	LS26	LS26	14.25"	23"	8.75"	—	None
34673	Shock	—	—	LS43	S4	14.25"	23.88"	9.63"	—	P01135
34674	Shock	—	—	LS43	S4	16.13"	27.38"	11.25"	—	P01136
34675	Shock	—	—	XP5	S4	10.38"	14.38"	4"	—	P01135
34676†	Shock	—	—	LS47	LS47	15.5"	23.75"	8.25"	—	None
34677†	Shock	—	—	CLEV	S4	11"	15.13"	4.13"	—	P01136
34678†	Shock	—	—	LS47	LS47	16.75"	25.5"	8.75"	—	None
34684†	Shock	—	—	L1	S5	10.13"	15"	4.88"	—	P01167
34685	Shock	—	—	LS26	L1	16.5"	28.25"	11.75"	—	None
34686†	Shock	—	—	LS26	L1	14.25"	22.88"	8.63"	—	None
34687	Shock	—	—	LS26	L1	18"	31"	13"	—	None
34689†	Shock	—	—	XP5	S5	10.25"	15"	4.75"	—	P01167
34690†	Shock	—	—	LS47	LS47	16"	26"	10"	—	None
34692†	Shock	—	—	LS47	LS47	14.75"	23.5"	8.75"	—	None
34694†	Shock	—	—	LS47	LS47	15"	24.13"	9.13"	—	None
34729†	Shock	—	—	LS26	S4	10"	14.63"	4.63"	—	P01135
34730	Shock	—	—	LS26	S4	10.5"	15.88"	5.38"	—	P01135
34731	Shock	—	—	LS26	L1	12.75"	20.5"	7.75"	—	None
34732†	Shock	—	—	LS26	LS26	14"	22.5"	8.5"	—	None
34733	Shock	—	—	L1	LS26	16.38"	27.25"	10.88"	—	None
34736	Shock	—	—	LS36	L1/CP1	10.38"	16"	5.63"	—	P00019
34741†	Shock	—	—	XP5	S4	9.63"	14"	4.38"	—	P01134
34750	Shock	—	—	XP8	S4	8.88"	13.38"	4.5"	—	P01135
34755†	Shock	—	—	LS54	LS48	14.5"	22.75"	8.25"	—	None
34756†	Shock	—	—	LS47	XP5	14"	22.75"	8.75"	—	None
34759†	Shock	—	—	LS26	S4	12.5"	19.88"	7.38"	—	P01135
34760†	Shock	—	—	L1	S4	9.88"	14.63"	4.75"	—	P01135
34761	Shock	—	—	LS26	S4	13.13"	21.75"	8.63"	—	P01135
34762†	Shock	—	—	LS47	XP7	13.88"	22.5"	8.63"	—	None

† Bumper Stop Unit. Dimension Shown at Bumper Contact

‡ Hydraulic Lockout Unit. Dimension Shown is Metal-to-Metal, Subtract Approximately 5/8" (.62) from the Extended Length for Start-of-Engagement.



# MOUNTING & LENGTH SPECIFICATIONS

Part No.	Part Type	STRUT BODY		END CODE		LENGTHS			Spring (Rate)	Parts Pack(s)
		Type	Length	Body	Rod	Comp.	Ext.	Trav.		
34763†	Shock	—	—	LS47	XP7	14.63"	23.88"	9.25"	—	None
34766†	Shock	—	—	XP11	S4	13.12"	20.25"	7.13"	—	P00941,P01136
34767†	Shock	—	—	LS47	XP7	15.25"	25.25"	10"	—	None
34769†	Shock	—	—	LS74	LS25	13.8"	21.81"	8.01"	—	None
34770	Shock	—	—	LS26	L1	16.19"	27.01"	10.82"	—	None
34771	Shock	—	—	L2	LS39	16.63"	28.5"	11.88"	—	None
34776†	Shock	—	—	LS47	S5	9.5"	13.75"	4.25"	—	P01167
34777	Shock	—	—	LS47	LS47	15.38"	24.63"	9.25"	—	None
34778‡	Shock	—	—	LS47	S5	13.88"	21.75"	7.88"	—	P01167
34780	Shock	—	—	XP5	LS28	14.51"	23.55"	8.94"	—	None
34781	Shock	—	—	LS47	LS47	15.75"	26.13"	10.38"	—	None
34782‡	Shock	—	—	LS47	S5	14.38"	22.75"	8.38"	—	P01167
34785	Shock	—	—	XP14	S4	8.72"	12.8"	4.08"	—	P01137
34786†	Shock	—	—	LS28	LS28	14.59"	22.69"	8.1"	—	None
34787†	Shock	—	—	S5	S5	14.25"	23.25"	9"	—	P01167
34788†	Shock	—	—	L3	S4	14.38"	23.25"	8.88"	—	P00120,P01167
34789†	Shock	—	—	LS39	LS39	15.34"	24.57"	9.23"	—	None
34790	Shock	—	—	LS26	S4	9.72"	14.8"	5.08"	—	P01135
34791	Shock	—	—	L1	L1	16.13"	27.25"	11.13"	—	None
34793†	Shock	—	—	LS26	S4	10.13"	15"	4.88"	—	P01135
34794	Shock	—	—	XP8	S4	9.25"	13.63"	4.38"	—	P01135
34795†	Shock	—	—	LS47	LS47	16.42"	25.53"	9.11"	—	None
34796†	Shock	—	—	L1	S4	9.38"	14.25"	4.88"	—	P01135
34797†	Shock	—	—	LS26	L1	14"	22.25"	8.25"	—	None
34798†	Shock	—	—	LS39	LS77	11.38"	16.5"	5.13"	—	None
34799‡	Shock	—	—	LS39	LS77	11.75"	15.88"	4.13"	—	None
34800†	Shock	—	—	XP10	S5	9.63"	13.77"	4.14"	—	P01167
34802	Shock	—	—	L1	L1	14"	22.75"	8.75"	—	P00829
34803	Shock	—	—	L1	L1	13.25"	21"	7.75"	—	P00573
34804†	Shock	—	—	XP5	S4	13.59"	18.11"	4.52"	—	P01135,P00941
34810	Shock	—	—	CLEV	S2	13.72"	17.97"	4.25"	—	P01299
34811†	Shock	—	—	LS47	LS47	16.21"	25.32"	9.11"	—	None
34812†	Shock	—	—	LS92	LS92	15.34"	22.35"	7.01"	—	None
34813	Shock	—	—	LS40	S6	14.51"	24.07"	9.56"	—	P01167
34814	Shock	—	—	LS47	S5	14.75"	21.38"	6.63"	—	None
34815	Shock	—	—	LS47	LS52	15.18"	24.43"	9.25"	—	None
34816	Shock	—	—	LS47	LS52	14.46"	22.96"	8.5"	—	None
34817	Shock	—	—	LS36	L1/CP1	9.88"	14.63"	4.75"	—	P00019
34821	Shock	—	—	LS38	L1	14.25"	22.88"	8.63"	—	None
34822	Shock	—	—	LS37	LS37	13.88"	22.75"	8.88"	—	None
34824	Shock	—	—	LS47	L1/CP1	14"	22.88"	8.88"	—	P00019
34831	Shock	—	—	XP8	S4	8.88"	13.38"	4.5"	—	P01135
34832	Shock	—	—	L2	LS39	14.75"	24.38"	9.63"	—	None
34839	Shock	—	—	LS24	LS24	9.93"	14.63"	4.7"	—	None
34853	Shock	—	—	L2	L2	13.25"	21.13"	7.88"	—	None
34854	Shock	—	—	L2	LS39	15.63"	26.25"	10.63"	—	None
34868	Shock	—	—	XP8	S4	10"	15.5"	5.5"	—	P01135
34899	Shock	—	—	LS38	S4	9.88"	14.38"	4.5"	—	P01135
34900	Shock	—	—	LS38	S4	10.63"	15.88"	5.25"	—	P01135
34901	Shock	—	—	LS38	S4	13.75"	22.63"	8.88"	—	P01135
34904	Shock	—	—	L1	L1	11.88"	18.13"	6.25"	—	P00411
34905	Shock	—	—	L1	L1	12.63"	19.75"	7.13"	—	None
34906†	Shock	—	—	LS38	S4	10.13"	16.75"	6.63"	—	P01135
34907†	Shock	—	—	LS38	S4	13.38"	21.25"	7.88"	—	P01135
34909†	Shock	—	—	S4	S4	13.25"	22"	8.75"	—	P01134
34910	Shock	—	—	LS39	LS39	13"	20.88"	7.88"	—	None
34911	Shock	—	—	LS38	S4	12.38"	19.75"	7.38"	—	P01136
34912	Shock	—	—	LS54	L1/CP1	14.13"	23"	8.88"	—	P00019
34919	Shock	—	—	LS39	LS37	11.63"	18.25"	6.63"	—	P00816
34920	Shock	—	—	LS47	LS47	15.5"	26.13"	10.63"	—	None
34926	Shock	—	—	L1	S4	11.5"	18.38"	6.88"	—	P01135

† Bumper Stop Unit. Dimension Shown at Bumper Contact

‡ Hydraulic Lockout Unit. Dimension Shown is Metal-to-Metal, Subtract Approximately 5/8" (.62) from the Extended Length for Start-of-Engagement.

# MOUNTING & LENGTH SPECIFICATIONS

Part No.	Part Type	STRUT BODY		END CODE		LENGTHS			Spring (Rate)	Parts Pack(s)
		Type	Length	Body	Rod	Comp.	Ext.	Trav.		
34927	Shock	—	—	LS26	L1	13.5"	21.75"	8.25"	—	None
34928	Shock	—	—	LS26	S4	11.63"	18.5"	6.88"	—	P01135,P00864
34930	Shock	—	—	LS26	L1	14.88"	24.75"	9.88"	—	None
34934	Shock	—	—	LS47	SPEC	14.44"	24"	9.56"	—	None
34944	Shock	—	—	LS37	LS37	11.75"	18.38"	6.63"	—	P00816
34945	Shock	—	—	XP5	S4	8.94"	13.38"	4.44"	—	P1134
34953	Shock	—	—	XP5	S4	9.38"	14.5"	5.13"	—	P01134
34954	Shock	—	—	L1	S4	11.5"	19.13"	7.63"	—	P01137
34958	Shock	—	—	LS38	L1	12.63"	20.38"	7.75"	—	P00826
34960	Shock	—	—	LS47	LS47	14.13"	22.88"	8.75"	—	None
34963	Shock	—	—	LS26	L1	14.13"	22.88"	8.75"	—	None
34964	Shock	—	—	LS26	L1	15.75"	26.38"	10.63"	—	None
34983†	Shock	—	—	XP5	S4	9.5"	13.75"	4.25"	—	P01134
34985	Shock	—	—	LS47	XP7	16.13"	26.75"	10.63"	—	None
37011†	Shock	—	—	LS26	S4	9.88"	14.5"	4.63"	—	P01135
37013	Shock	—	—	LS26	L1	14.38"	23"	8.63"	—	P00827
37014	Shock	—	—	LS26	L1	16"	26.38"	10.38"	—	P00827
37015†	Shock	—	—	L1	S4	9.75"	14.5"	4.75"	—	P01135
37016†	Shock	—	—	LS27	S4	9"	13"	4"	—	P01135
37017†	Shock	—	—	LS27	L3	14.63"	23.5"	8.88"	—	P00867
37019	Shock	—	—	XP4	S4	8.88"	13.25"	4.38"	—	P01134
37021	Shock	—	—	LS47	XP7	14.5"	24"	9.5"	—	None
37022	Shock	—	—	LS23	S4	9.63"	14.38"	4.75"	—	P01134
37024	Shock	—	—	L1	S4	13.38"	21.88"	8.5"	—	P01134
37026†	Shock	—	—	XP4	S4	12.88"	20.38"	7.5"	—	P01136
37027†	Shock	—	—	L1	XP12	12.75"	20"	7.25"	—	None
37029	Shock	—	—	L1	L1	14.38"	23"	8.63"	—	None
37030	Shock	—	—	LS82	S4	9.25"	13.63"	4.38"	—	P01134
37031	Shock	—	—	LS23	S4	10.5"	16.38"	5.88"	—	P01134
37032†	Shock	—	—	L3	L3	13.88"	21.5"	7.63"	—	P00575
37033†	Shock	—	—	L3	S4	13.25"	20.88"	7.63"	—	P00081,P01134
37034†	Shock	—	—	LS26	S4	10"	14.75"	4.75"	—	P01135
37035	Shock	—	—	LS26	XP7	15"	25.13"	10.13"	—	P00941
37036	Shock	—	—	L1	S4	11.63"	18.38"	6.75"	—	P01135
37037	Shock	—	—	LS26	L1	13.5"	21.75"	8.25"	—	None
37038	Shock	—	—	LS26	L1	15"	24.75"	9.75"	—	None
37039	Shock	—	—	LS26	L1	15.88"	26.38"	10.5"	—	None
37040	Shock	—	—	LS37	LS37	11.88"	18.38"	6.5"	—	P00816
37041	Shock	—	—	LS47	L1/CP5	14.13"	22.88"	8.75"	—	P00019
37044†	Shock	—	—	LS47	XP7	16.13"	26.75"	10.63"	—	None
37045†	Shock	—	—	L2	L2	13.13"	20.25"	7.13"	—	None
37046	Shock	—	—	L2	LS39	15.75"	26.13"	10.38"	—	None
37047	Shock	—	—	LS23	S4	8.13"	12.13"	4"	—	P01137
37049	Shock	—	—	LS36	L1/CP5	10"	14.63"	4.63"	—	P00019
37050†	Shock	—	—	XP5	S4	9.5"	13.75"	4.25"	—	P01134
37052	Shock	—	—	LS26	L1	14.38"	23"	8.63"	—	None
37053†	Shock	—	—	LS38	S4	10.75"	15.88"	5.13"	—	P01135
37055†	Shock	—	—	LS26	LS26	14"	22.5"	8.5"	—	None
37058	Shock	—	—	XP4	S4	8.5"	12.38"	3.88"	—	P01134
37060†	Shock	—	—	XP5	S4	10.25"	15.13"	4.88"	—	P01135
37061†	Shock	—	—	LS26	LS28	12"	18.13"	6.13"	—	None
37062†	Shock	—	—	LS39	LS77	11.25"	16.5"	5.25"	—	None
37063	Shock	—	—	XP5	S4	9.25"	14"	4.75"	—	P01134
37064†	Shock	—	—	LS74	LS74	14.75"	23.13"	8.38"	—	None
37065†	Shock	—	—	LS28	LS28	12"	18.13"	6.13"	—	None
37066	Shock	—	—	XP2	S4	8.63"	13"	4.38"	—	P01135
37067	Shock	—	—	LS39	XP8	14.63"	23.5"	8.88"	—	None
37068	Shock	—	—	LS37	S4	9.75"	15"	5.25"	—	P01135
37069	Shock	—	—	LS39	XP8	15.63"	26.25"	10.63"	—	None
37070†	Shock	—	—	LS26	S4	12.13"	18.25"	6.13"	—	P01134
37072	Shock	—	—	XP5	S4	9.38"	14.5"	5.13"	—	P01134

† Bumper Stop Unit. Dimension Shown at Bumper Contact

‡ Hydraulic Lockout Unit. Dimension Shown is Metal-to-Metal, Subtract Approximately 5/8" (.62) from the Extended Length for Start-of-Engagement.

# MOUNTING & LENGTH SPECIFICATIONS

Part No.	Part Type	STRUT BODY		END CODE		LENGTHS			Spring (Rate)	Parts Pack(s)
		Type	Length	Body	Rod	Comp.	Ext.	Trav.		
37073	Shock	—	—	L1	L1	13"	20.75"	7.75"	—	None
37074	Shock	—	—	S4	L1	12.13"	19.25"	7.13"	—	P01137
37077	Shock	—	—	LS23	S4	8.88"	13.75"	4.88"	—	P01134
37078	Shock	—	—	L1	L1	12.63"	20"	7.38"	—	None
37080†	Shock	—	—	LS26	S4	12.5"	20.75"	8.25"	—	P01135
37081†	Shock	—	—	XP4	S4	13"	20.75"	7.75"	—	P01136
37082†	Shock	—	—	LS25	L1	13.63"	21.5"	7.88"	—	None
37083†	Shock	—	—	XP4	S4	13.25"	21.13"	7.88"	—	P01136
37085†	Shock	—	—	LS47	XP7	14"	22.38"	8.38"	—	None
37086†	Shock	—	—	LS47	XP7	14.63"	23.75"	9.13"	—	None
37087†	Shock	—	—	LS47	XP7	15.38"	25.25"	9.88"	—	None
37090	Shock	—	—	LS24	LS24	9.93"	14.63"	4.7"	—	None
37091	Shock	—	—	LS39	LS39	13.13"	20.88"	7.75"	—	None
37093	Shock	—	—	XP8	S4	8.88"	13.25"	4.38"	—	P01135
37094	Shock	—	—	L2	LS39	14.88"	24.38"	9.5"	—	None
37095†	Shock	—	—	LS26	S4	10.13"	14.63"	4.5"	—	P01135
37096	Shock	—	—	XP8	S4	8.88"	13.38"	4.5"	—	P01135
37098	Shock	—	—	L1	L1	11.75"	18.25"	6.5"	—	None
37099†	Shock	—	—	LS39	LS39	11.63"	16.5"	4.88"	—	None
37100	Shock	—	—	LS23	S4	9.63"	14.75"	5.13"	—	P01134
37101	Shock	—	—	L1	L1	15.13"	24.88"	9.75"	—	None
37102†	Shock	—	—	LS47	S5	9.5"	13.75"	4.25"	—	P01167
37104‡	Shock	—	—	LS92	S5	13.74"	22.01"	8.27"	—	P01167
37105	Shock	—	—	LS47	LS47	15.5"	24.63"	9.13"	—	None
37108	Shock	—	—	LS23	S4	10.38"	15.25"	4.88"	—	P01134
37109†	Shock	—	—	L3	LS78	12.88"	19.63"	6.75"	—	P00120
37110†	Shock	—	—	LS26	LS27	10.63"	15.75"	5.13"	—	None
37111	Shock	—	—	XP5	S4	9.38"	14.5"	5.13"	—	P01134
37112†	Shock	—	—	L1	L1	12.38"	19"	6.63"	—	None
37113†	Shock	—	—	L3	L3	13.25"	20.38"	7.13"	—	P00575
37114†	Shock	—	—	L3	L3	12.88"	19.5"	6.63"	—	P00575
37116†	Shock	—	—	L1	S4	10.25"	14.88"	4.63"	—	P01135
37117	Shock	—	—	LS26	S4	13.5"	22"	8.5"	—	P01135
37120	Shock	—	—	LS38	S4	14.5"	24.38"	9.88"	—	P01135
37121	Shock	—	—	LS38	L1	11.88"	18.38"	6.5"	—	None
37122†	Shock	—	—	XP4	S4	13.63"	18"	4.38"	—	P01135,P00941
37123†	Shock	—	—	LS28	LS28	11.38"	17"	5.63"	—	None
37125†	Shock	—	—	XP5	S4	9.5"	13.75"	4.25"	—	P01134
37128†	Shock	—	—	L1	S4	9.38"	14.25"	4.88"	—	P01135
37129	Shock	—	—	XP4	S4	8.38"	12.25"	3.88"	—	P01134
37130†	Shock	—	—	LS39	LS77	11.75"	16"	4.25"	—	None
37131†	Shock	—	—	XP5	S5	10.25"	14.88"	4.63"	—	P01167
37132	Shock	—	—	LS26	S4	14.25"	23.88"	9.63"	—	P01135
37133†	Shock	—	—	LS39	S4	10"	14.38"	4.38"	—	P01136
37134	Shock	—	—	LS26	S4	16"	27.5"	11.5"	—	P01136
37135†	Shock	—	—	LS37	XP12	12.5"	19.63"	7.13"	—	None
37137	Shock	—	—	XP5	S4	8.5"	13"	4.5"	—	P01137
37138†	Shock	—	—	LS28	LS28	14.63"	22.75"	8.13"	—	None
37140†	Shock	—	—	LS28	LS28	15.38"	24.63"	9.25"	—	None
37144	Shock	—	—	LS26	LS26	13.75"	21.75"	8"	—	None
37145	Shock	—	—	LS26	LS26	14.38"	23.13"	8.75"	—	None
37147	Shock	—	—	LS43	S4	14.25"	23.88"	9.63"	—	P01135
37148	Shock	—	—	LS43	S4	16.13"	27.38"	11.25"	—	P01136
37149†	Shock	—	—	XP5	S4	10.38"	14.38"	4"	—	P01135
37150†	Shock	—	—	LS47	LS47	15.63"	23.75"	8.13"	—	None
37151†	Shock	—	—	SPEC	S4	11"	15.13"	4.13"	—	P01136
37152†	Shock	—	—	LS47	LS47	16.88"	25.5"	8.63"	—	None
37153†	Shock	—	—	XP5	S4	10.5"	13.5"	3"	—	P01135
37154†	Shock	—	—	LS26	LS26	14.13"	20.13"	6"	—	None
37155†	Shock	—	—	LS27	LS27	10.5"	16.63"	6.13"	—	None
37156†	Shock	—	—	LS26	LS26	12.75"	20.25"	7.5"	—	None

† Bumper Stop Unit. Dimension Shown at Bumper Contact

‡ Hydraulic Lockout Unit. Dimension Shown is Metal-to-Metal, Subtract Approximately 5/8" (.62) from the Extended Length for Start-of-Engagement.

# MOUNTING & LENGTH SPECIFICATIONS

Part No.	Part Type	STRUT BODY		END CODE		LENGTHS			Spring (Rate)	Parts Pack(s)
		Type	Length	Body	Rod	Comp.	Ext.	Trav.		
37157†	Shock	—	—	L3	S4	12.5"	20"	7.5"	—	P00081,P01134
37158†	Shock	—	—	LS30	LS52	14.5"	23.25"	8.75"	—	None
37159†	Shock	—	—	LS23	S4	10.13"	15"	4.88"	—	P01134
37160†	Shock	—	—	LS78	S4	11.88"	18.5"	6.63"	—	P01134
37161†	Shock	—	—	XP4	S4	13"	20.75"	7.75"	—	P00941,P01136
37162‡	Shock	—	—	LS25	LS29	13.75"	21.75"	8"	—	None
37163‡	Shock	—	—	XP5	S5	10.25"	15"	4.75"	—	P01167
37164‡	Shock	—	—	LS47	LS47	16"	26"	10"	—	None
37166‡	Shock	—	—	LS47	LS47	14.63"	23.5"	8.88"	—	None
37171	Shock	—	—	LS35	S4	8.03"	11.91"	3.88"	—	P01137
37172	Shock	—	—	LS49	LS49	13.94"	22.63"	8.69"	—	None
37177†	Shock	—	—	XP4	S4	11.63"	18"	6.38"	—	P01135,P00941
37178‡	Shock	—	—	SPEC	S4	10.75"	15.38"	4.63"	—	P01135
37181†	Shock	—	—	LS42	S5	10.25"	15.13"	4.88"	—	P01167
37183‡	Shock	—	—	LS43	S6	11.51"	17.27"	5.76"	—	P01482
37184‡	Shock	—	—	LS68	S5	14.37"	23.14"	8.77"	—	P01167
37186	Shock	—	—	S4	S4	14"	24.25"	10.25"	—	P01137
37187	Shock	—	—	L1/CP5	LS37	9.38"	14.25"	4.88"	—	P00019
37188	Shock	—	—	L1/CP3	L1/CP3	14"	23.63"	9.63"	—	P00572,P00576
37189	Shock	—	—	L2	L2	15.25"	25.63"	10.38"	—	None
37195	Shock	—	—	SPEC	SPEC	8.38"	11.38"	3"	—	None
37199‡	Shock	—	—	L1	S4	14.38"	24.25"	9.88"	—	P01137
37202‡	Shock	—	—	LS26	LS26	14.88"	21.25"	6.38"	—	None
37203‡	Shock	—	—	LS28	LS52	14"	21.88"	7.88"	—	None
37204‡	Shock	—	—	LS52	LS74	15.13"	24.25"	9.13"	—	None
37206‡	Shock	—	—	XP12	S5	9.88"	14.25"	4.38"	—	P01167
37207	Shock	—	—	LS47	LS47	16"	26.5"	10.5"	—	None
37208‡	Shock	—	—	LS47	S5	10.75"	15.88"	5.13"	—	P01167
37217†	Shock	—	—	LS51	S4	15.25"	25.13"	9.88"	—	P01137
37218	Shock	—	—	LS38	LS38	11.38"	17.38"	6"	—	None
37219‡	Shock	—	—	LS43	S4	13.52"	15.02"	1.5"	—	P01136,P01520
37220	Shock	—	—	LS26	S4	9.75"	14.75"	5"	—	P01135
37225	Shock	—	—	LS36	S4	8.78"	13.39"	4.61"	—	P01134
37226‡	Shock	—	—	LS50	LS49	13.43"	20.69"	7.26"	—	None
37231†	Shock	—	—	LS22	S4	13"	21.25"	8.25"	—	P01134
37234‡	Shock	—	—	LS29	LS29	13.75"	22.38"	8.63"	—	None
37237†	Shock	—	—	LS51	S4	17.38"	23.5"	6.13"	—	P01136
37238	Shock	—	—	LS23	S4	13.63"	22.5"	8.88"	—	P01134
37239	Shock	—	—	LS23	S4	13.13"	21.5"	8.38"	—	P01134
37240‡	Shock	—	—	LS54	S5	14.88"	24"	9.13"	—	P01167
37241	Shock	—	—	LS29	LS28	14.56"	23.07"	8.51"	—	None
37242	Shock	—	—	LS29	LS28	14.63"	22.25"	7.63"	—	None
37243	Shock	—	—	L1	S4	13"	21.5"	8.5"	—	P01137
37244	Shock	—	—	LS56	LS51	10.88"	15.75"	4.88"	—	P01380
37245	Shock	—	—	LS35	S4	8.25"	11.69"	3.44"	—	P01137
37246	Shock	—	—	LS39	LS39	11.5"	16.88"	5.38"	—	None
37250	Shock	—	—	LS44	S4	14"	23.2"	9.2"	—	P01134
37251†	Shock	—	—	LS44	LS40	15.18"	24.19"	9.01"	—	None
37252†	Shock	—	—	LS44	LS40	14.55"	22.94"	8.39"	—	None
37253‡	Shock	—	—	LS44	LS44	11.93"	17.69"	5.76"	—	None
37269	Shock	—	—	LS26	S4	12.38"	19.75"	7.38"	—	P01134
37270†	Shock	—	—	LS68	S5	14.06"	22.2"	8.14"	—	P01167
37272†	Shock	—	—	LS82	S4	12.55"	19.57"	7.02"	—	P01134
37273‡	Shock	—	—	LS43	L1	13.43"	21.08"	7.65"	—	None
37274‡	Shock	—	—	LS44	LS44	10.3"	14.7"	4.4"	—	None
37275	Shock	—	—	LS43	L1	12.43"	19.5"	7.07"	—	None
37276	Shock	—	—	LS43	L1	12.8"	20.25"	7.45"	—	None
37279‡	Shock	—	—	LS35	S4	12.76"	20.4"	7.64"	—	P01134
37280‡	Shock	—	—	LS35	S4	13.76"	22.4"	8.64"	—	P01134
37281†	Shock	—	—	LS43	LS43	12.3"	18.7"	6.4"	—	None
37282‡	Shock	—	—	LS40	S5	11.98"	15.44"	3.46"	—	P01614

† Bumper Stop Unit. Dimension Shown at Bumper Contact

‡ Hydraulic Lockout Unit. Dimension Shown is Metal-to-Metal, Subtract Approximately 5/8" (.62) from the Extended Length for Start-of-Engagement.

# MOUNTING & LENGTH SPECIFICATIONS

Part No.	Part Type	STRUT BODY		END CODE		LENGTHS			Spring (Rate)	Parts Pack(s)
		Type	Length	Body	Rod	Comp.	Ext.	Trav.		
37283	Shock	—	—	LS29	S5	10.1"	15.1"	5"	—	P01614
37284	Shock	—	—	SPEC	S5	16.05"	26.51"	10.46"	—	P01167
37285	Shock	—	—	LS26	S1	13.74"	21.85"	8.11"	—	P01136
37286	Shock	—	—	LS26	SPEC	13.74"	21.85"	8.11"	—	None
37287	Shock	—	—	LS38	XP6	14.55"	23"	8.45"	—	None
37289	Shock	—	—	LS29	LS29	11.34"	17.03"	5.69"	—	None
37290	Shock	—	—	LS30	LS30	10.49"	15.57"	5.08"	—	None
37298†	Shock	—	—	LS38	S5	15"	24.38"	9.38"	—	P01167
37301	Shock	—	—	SPEC	S5	17.1"	27.56"	10.46"	—	P01167
37302	Shock	—	—	SPEC	S4	15.53"	26.72"	11.19"	—	P01136
37307	Shock	—	—	LS51	SPEC	12.44"	18.69"	6.25"	—	None
37308	Shock	—	—	LS38	LS38	13.69"	20.94"	7.25"	—	None
37309	Shock	—	—	LS19	LS38	13.95"	21.43"	7.48"	—	None
37310	Shock	—	—	LS32	S1	12.01"	16.66"	4.65"	—	P00906
37311	Shock	—	—	LS38	LS38	12.74"	20.13"	7.39"	—	None
37312	Shock	—	—	LS96	S2	13.58"	16.15"	2.57"	—	P00839
37315	Shock	—	—	LS44	LS19	11.01"	16.03"	5.02"	—	None
37316	Shock	—	—	LS38	XP16	14.18"	22.57"	8.39"	—	None
37317	Shock	—	—	LS29	S2	13.44"	16.59"	3.14"	—	P00839
37318†	Shock	—	—	LS51	S4	15.3"	25.07"	9.77"	—	P01136
37322	Shock	—	—	LS50	LS53	11.5"	17.11"	5.61"	—	None
37323†	Shock	—	—	S5	LS92	12.25"	19.52"	7.27"	—	P01614
37324†	Shock	—	—	LS54	LS46	12.3"	18.68"	6.38"	—	None
37326†	Shock	—	—	LS31	S4	17.72"	21.81"	4.09"	—	P01136
37327†	Shock	—	—	LS82	S4	15.72"	26.48"	10.76"	—	P01136
37328†	Shock	—	—	LS29	LS84	12.87"	19.59"	6.72"	—	None
37329†	Shock	—	—	CLEV	S5	16.97"	23.13"	6.16"	—	P01637,P00590
37331†	Shock	—	—	LS31	S4	15.38"	25.72"	10.34"	—	P01136
37334†	Shock	—	—	LS27	LS28	11.64"	17.53"	5.88"	—	None
37336	Shock	—	—	LS29	S6	19.96"	22.46"	2.5"	—	P01136
37338†	Shock	—	—	LS25	S1	17.08"	20.93"	3.85"	—	P01620
37339†	Shock	—	—	LS20	XP15	13.33"	21.52"	8.19"	—	None
37341	Shock	—	—	SPEC	S1	14.93"	23.11"	8.18"	—	P00906
37342†	Shock	—	—	LS54	S6	14.18"	22.71"	8.53"	—	P01482
37343	Shock	—	—	CLEV	S1	14.77"	22.46"	7.7"	—	P00906
37345	Shock	—	—	LS99	LS99	11.77"	18.03"	6.26"	—	None
37346	Shock	—	—	S2	LS97	15.92"	22.12"	6.2"	—	BE17110669
37347	Shock	—	—	S2	LS97	15.92"	22.12"	6.2"	—	BE17110669
37348†	Shock	—	—	LS46	S1	10"	14.45"	4.45"	—	BE17110126
37349†	Shock	—	—	LS27	LS27	13.34"	20.94"	7.8"	—	None
37350†	Shock	—	—	LS43	S1	13.66"	20.19"	6.59"	—	P01743
37351†	Shock	—	—	LS92	LS92	14.97"	22.56"	7.59"	—	None
37352†	Shock	—	—	LS29	S4	20.34"	23.83"	3.48"	—	P01136
37357†	Shock	—	—	LS29	S2	12.09"	15.14"	3.04"	—	P00839
37358†	Shock	—	—	LS43	S15	19"	25.93"	6.93"	—	P01505
37359†	Shock	—	—	LS40	LS40	14.06"	22.09"	8.03"	—	None
37361†	Shock	—	—	LS31	LS78	12.61"	18.87"	6.26"	—	None
37362†	Shock	—	—	LS40	LS96	14.42"	22.69"	8.27"	—	None
37363	Shock	—	—	LS96	S2	12.22"	17.4"	5.18"	—	P00839
37365†	Shock	—	—	LS91	S2	16.62"	19.69"	3.07"	—	P00839
37376	Shock	—	—	LS91	S2	15.01"	19.58"	4.57"	—	P00839
37377	Shock	—	—	LS50	LS55	12.86"	19.03"	6.17"	—	None
37378	Shock	—	—	XP7	S1	14.84"	22.08"	7.24"	—	P01431
37379	Shock	—	—	LS50	LS104	11.74"	17.02"	5.29"	—	None
37380	Shock	—	—	LS38	LS97	16"	21.94"	5.94"	—	None
37381	Shock	—	—	LS38	LS97	17.26"	24.41"	7.15"	—	None
37382	Shock	—	—	LS43	S1	16.85"	25.2"	8.35"	—	P00906
37386	Shock	—	—	LS48	S1	15.56"	23.28"	7.72"	—	P00906
37387	Shock	—	—	LS39	XP16	14.07"	20.85"	6.52"	—	None
37388	Shock	—	—	LS26	LS26	15.88"	24.65"	8.77"	—	None
37389	Shock	—	—	XP7	S1	13.18"	20.18"	7"	—	P01141

† Bumper Stop Unit. Dimension Shown at Bumper Contact

‡ Hydraulic Lockout Unit. Dimension Shown is Metal-to-Metal, Subtract Approximately 5/8" (.62) from the Extended Length for Start-of-Engagement.



# MOUNTING & LENGTH SPECIFICATIONS

Part No.	Part Type	STRUT BODY		END CODE		LENGTHS			Spring (Rate)	Parts Pack(s)
		Type	Length	Body	Rod	Comp.	Ext.	Trav.		
37390	Shock	—	—	LS46	S1	13.98"	22.98"	9"	—	P01431
37392	Shock	—	—	LS28	S8	18.3"	28.04"	9.74"	—	P01699
37393	Shock	—	—	LS28	S8	19.3"	29.04"	9.74"	—	P01699
37394	Shock	—	—	LS43	S13	18.48"	25.78"	7.3"	—	P01505
37398	Shock	—	—	LS68	S5	13.94"	22.21"	8.27"	—	P01167
37399	Shock	—	—	LS48	S13	14.95"	22.87"	7.92"	—	P00906
39001	Shock	—	—	LS6	S1	15.13"	20"	4.88"	—	BE17110326
39002	Shock	—	—	SPEC	S1	13.63"	18.38"	4.75"	—	P00341NC
39006	Shock	—	—	XP11	S1	11.25"	17.5"	6.25"	—	P00341NC
39020†	Shock	—	—	LS6	S1	18.94"	21.5"	2.56"	—	BE17110326
39021†	Shock	—	—	LS6	S1	18.54"	19.76"	1.22"	—	BE17110326
39028	Shock	—	—	SPEC	S1	9.88"	14"	4.13"	—	BE17110453
39040	Shock	—	—	LS34	S2	11.13"	17"	5.88"	—	BE17110559
39044	Shock	—	—	LS6	S1	17.75"	18.88"	1.13"	—	BE17110322
39045	Shock	—	—	LS6	S1	16.5"	18.25"	1.75"	—	BE17110322
39047	Shock	—	—	LS6	S1	18.88"	22.5"	3.63"	—	BE17110326
39051	Shock	—	—	SPEC	S2	14.75"	18.63"	3.88"	—	BE17110669
39052	Shock	—	—	LS42	LS41	11.02"	15.55"	4.53"	—	None
39102	Shock	—	—	LS10	S1	15"	24"	9"	—	BE17110495
39104	Strut	SS7	13.14"	SPEC	S1	14.51"	18.06"	3.55"	—	P1415
39105	Strut	SS7	13.14"	SPEC	S1	14.51"	18.06"	3.55"	—	P1415
39106	Strut	SS7	13.12"	SPEC	S1	14.51"	18.05"	3.54"	—	P1415
39107	Shock	—	—	LS38	S1	17.13"	25.51"	8.38"	—	BE17110410
39108	Shock	—	—	LS8	S15	19.02"	23.19"	4.17"	—	BE17110326
39109	Shock	—	—	LS8	S15	18.5"	20.71"	2.21"	—	BE17110326
39110	Shock	—	—	SPEC	S1	18.98"	24.06"	5.08"	—	BE17110814
39111	Shock	—	—	LS25	S7	16.65"	24.98"	8.33"	—	P01682
39112	Strut	SS7	13.39"	XP16	S1	13.9"	17.13"	3.25"	—	P01415
39113	Shock	—	—	XP15	S1	16.95"	22.15"	5.2"	—	P01716
39114	Shock	—	—	CLEV	S1	15.31"	21.86"	6.55"	—	P01718,P00590
39129	Shock	—	—	LS25	S7	20.23"	28.27"	8.04"	—	P01682
39130	Shock	—	—	LS30	S1	16.06"	23.23"	7.17"	—	P00522
39131	Shock	—	—	LS43	S2	17.34"	20.79"	3.45"	—	None
39132	Shock	—	—	LS43	S2	17.34"	20.79"	3.45"	—	None
39133	Shock	—	—	LS45	S2	16.96"	21.93"	5.33"	—	None
39134†	Strut	B3	15.76"	—	—	16.13"	20.56"	4.43"	—	None
39135†	Strut	B3	17.16"	—	—	17.16"	22.15"	4.99"	—	None
39136	Shock	—	—	XP15	S1	17.21"	22.6"	5.39"	—	P01716
39138	Strut	B9	15.29"	—	—	15.79"	23.46"	7.67"	—	None
39139	Strut	B9	15.29"	—	—	15.79"	23.46"	7.67"	—	P00762
39140	Strut	SS7	13.39"	—	—	13.89"	17.12"	3.23"	—	P01415
39144	Shock	—	—	LS34	S2	11.22"	17.17"	5.95"	—	M17110875
40034	Shock	—	—	LS43	LS43	15.25"	22.75"	7.5"	—	None
40038	Shock	—	—	SPEC	S1	11"	15.38"	4.38"	—	None
40039	Shock	—	—	LS43	LS43	15.63"	23.88"	8.25"	—	None
40044	Shock	—	—	SPEC	S1	11"	15.38"	4.38"	—	None
40047	Strut	B4	12.25"	—	—	12.75"	17.16"	4.41"	—	None
40048	Strut	B4	12.25"	—	—	12.75"	17.16"	4.41"	—	None
40049	Strut	B4	12.25"	—	—	12.75"	17.16"	4.41"	—	None
40050	Shock	—	—	LS74	LS74	15.38"	22.75"	7.37"	—	None
40051	Shock	—	—	LS74	LS74	15.38"	22.75"	7.37"	—	None
40052	Shock	—	—	LS74	LS74	15.38"	22.75"	7.37"	—	None
40055	Shock	—	—	CLEV	S1	15"	21.88"	6.88"	—	P01431
40056	Shock	—	—	CLEV	S1	15"	21.88"	6.88"	—	P01431
40201	Shock	—	—	LS77	LS77	11.63"	17.88"	6.25"	—	None
40209	Shock	—	—	LS43	LS43	14.88"	22.88"	8"	—	None
40210	Shock	—	—	LS43	LS43	14.88"	22.88"	8"	—	None
40211	Shock	—	—	SPEC	S1	18.25"	24.38"	6.13"	—	None
40212	Shock	—	—	LS72	S1	17.71"	24.48"	6.77"	—	None
58241†	Shock	—	—	LS36	L1/CP3	9.75"	14.38"	4.63"	—	P00019
58263†	Shock	—	—	XP4	S4	9.13"	13.75"	4.63"	—	P01134

† Bumper Stop Unit. Dimension Shown at Bumper Contact

‡ Hydraulic Lockout Unit. Dimension Shown is Metal-to-Metal, Subtract Approximately 5/8" (.62) from the Extended Length for Start-of-Engagement.

# MOUNTING & LENGTH SPECIFICATIONS

Part No.	Part Type	STRUT BODY		END CODE		LENGTHS			Spring (Rate)	Parts Pack(s)
		Type	Length	Body	Rod	Comp.	Ext.	Trav.		
58270†	Shock	—	—	XP4	S4	8.75"	13"	4.25"	—	P01134
58273†	Shock	—	—	XP4	S4	8.75"	13"	4.25"	—	P01134
58275†	Shock	—	—	LS38	S4	9.25"	14"	4.75"	—	P01135
58411†	Shock	—	—	L1/CP3	XP7	12.5"	20"	7.5"	—	P00576
58484	Shock	—	—	L2	L2	14.13"	23.13"	9"	—	None
58496	Shock	—	—	L2	L2	13"	21.25"	8.25"	—	P00076
58510	Shock	—	—	L1/CP3	S4	12.75"	21.38"	8.63"	—	P00577,P01134
58518	Shock	—	—	LS38	S4	12.13"	19.63"	7.5"	—	P01134
58523†	Shock	—	—	LS47	XP7	14.5"	22.75"	8.25"	—	None
58527	Shock	—	—	LS37	LS37	11.63"	19"	7.38"	—	None
58551	Shock	—	—	S4	XP7	12.13"	20.38"	8.25"	—	P01137
58552	Shock	—	—	LS37	LS41	11.13"	18"	6.88"	—	None
58567	Shock	—	—	L1	L1	12.5"	20.38"	7.88"	—	P00573
58568†	Shock	—	—	L1/CP3	S4	12.38"	19.88"	7.5"	—	P01136,P00576
58571†	Shock	—	—	L2	LS39	15.5"	25"	9.5"	—	None
58574†	Shock	—	—	L1/CP3	XP7	13.38"	21.25"	7.88"	—	P00576,P00941
58575	Shock	—	—	LS37	LS37	9.38"	14.5"	5.13"	—	None
58577	Shock	—	—	L2	LS39	13.75"	22.5"	8.75"	—	None
58578	Shock	—	—	LS47	L1/CP5	14"	22.88"	8.88"	—	P00019
58591	Shock	—	—	LS26	L1	14.88"	24.75"	9.88"	—	None
58594†	Shock	—	—	L1	XP12	12.75"	20"	7.25"	—	None
58595	Shock	—	—	LS39	LS39	13"	20.88"	7.88"	—	P00185
58598†	Shock	—	—	LS74	LS74	14.63"	22.13"	7.5"	—	None
58600†	Shock	—	—	LS47	XP7	16.13"	26.75"	10.63"	—	None
58601	Shock	—	—	LS26	L1	14.25"	23"	8.75"	—	None
58604	Shock	—	—	LS26	L1	15.75"	26.38"	10.63"	—	None
58605†	Shock	—	—	LS26	S4	12.38"	19.75"	7.38"	—	P01135
58606†	Shock	—	—	LS47	XP7	14"	22.38"	8.38"	—	None
58608	Shock	—	—	LS26	L1	14.25"	23"	8.75"	—	P00827
58610	Shock	—	—	LS47	LS47	15.25"	24.63"	9.38"	—	None
58612†	Shock	—	—	LS47	XP7	14.63"	23.75"	9.13"	—	None
58615	Shock	—	—	LS47	LS47	15.25"	24.63"	9.38"	—	None
58617†	Shock	—	—	LS26	XP7	15.5"	25.13"	9.63"	—	P00941
58618	Shock	—	—	LS26	L1	15.75"	26.13"	10.38"	—	P00827
58620†	Shock	—	—	LS28	LS28	11.25"	17"	5.75"	—	None
58624†	Shock	—	—	LS26	LS27	10.63"	15.75"	5.13"	—	None
58625	Shock	—	—	LS26	S4	13.38"	22.13"	8.75"	—	P01135
58628	Shock	—	—	LS26	S4	14.25"	23.88"	9.63"	—	P01135
58629†	Shock	—	—	LS26	S5	16"	26.38"	10.38"	—	P01167
58630†	Shock	—	—	LS28	LS28	14.5"	22.75"	8.25"	—	None
58633†	Shock	—	—	LS26	LS26	14.25"	23"	8.75"	—	None
58636†	Shock	—	—	LS47	LS47	15.5"	23.88"	8.38"	—	None
58637†	Shock	—	—	LS47	LS47	16.88"	25.75"	8.88"	—	None
58638	Shock	—	—	LS47	LS47	16"	25.88"	9.88"	—	None
58639	Shock	—	—	LS47	LS47	15"	23.63"	8.63"	—	None
58640	Shock	—	—	LS47	LS47	15.75"	26.5"	10.75"	—	None
58642	Shock	—	—	LS38	LS38	15.34"	25.17"	9.83"	—	None
58643	Shock	—	—	LS38	LS38	16.59"	27.55"	10.96"	—	None
58644	Shock	—	—	LS41	LS40	14.73"	23.82"	9.09"	—	None
58645	Shock	—	—	LS38	LS38	11.36"	17.32"	5.96"	—	None
58646	Shock	—	—	LS38	LS30	15.16"	24.87"	9.71"	—	None
58647	Shock	—	—	LS25	LS29	13.74"	22.45"	8.71"	—	None
58648	Shock	—	—	LS28	LS28	10.49"	15.57"	5.08"	—	None
58649	Shock	—	—	LS28	LS28	15.24"	25.2"	9.96"	—	None
58650	Shock	—	—	LS74	LS74	14.73"	24.07"	9.34"	—	None
58651	Shock	—	—	LS28	LS30	15.3"	24.38"	9.08"	—	None
58653†	Shock	—	—	LS27	LS27	18.94"	28.14"	9.2"	—	None
58654	Shock	—	—	LS43	LS43	15.54"	24.83"	9.29"	—	None
58655†	Shock	—	—	L4	L4	12.9"	20.05"	7.14"	—	None
58656	Shock	—	—	LS91	LS75	15.93"	25.94"	10.01"	—	None
58657†	Shock	—	—	LS27	LS27	14.52"	20.18"	5.44"	—	None

† Bumper Stop Unit. Dimension Shown at Bumper Contact

‡ Hydraulic Lockout Unit. Dimension Shown is Metal-to-Metal, Subtract Approximately 5/8" (.62) from the Extended Length for Start-of-Engagement.

# MOUNTING & LENGTH SPECIFICATIONS

Part No.	Part Type	STRUT BODY		END CODE		LENGTHS			Spring (Rate)	Parts Pack(s)
		Type	Length	Body	Rod	Comp.	Ext.	Trav.		
58658†	Shock	—	—	LS70	LS70	13.64"	18.34"	4.48"	—	None
65101	Shock	—	—	L3	L3	12.69"	19.67"	6.98"	—	None
65102	Shock	—	—	L4	L4	16.63"	27"	10.38"	—	None
65103	Shock	—	—	L4	L4	16.38"	26.38"	10"	—	None
65104	Shock	—	—	L4	L4	14"	21.88"	7.88"	—	None
65105	Shock	—	—	S6	LS53	14"	22.88"	8.88"	—	P01482
65106	Shock	—	—	LS54	LS54	13.5"	21.38"	7.88"	—	None
65107	Shock	—	—	LS54	S6	12.88"	20.75"	7.88"	—	P01482
65108	Shock	—	—	LS54	LS54	14.5"	23.38"	8.88"	—	None
65109	Shock	—	—	LS54	LS54	14"	22.5"	8.5"	—	None
65110	Shock	—	—	LS54	LS54	15.25"	24.88"	9.63"	—	None
65111	Shock	—	—	L3	L3	17"	28.38"	11.38"	—	None
65112	Shock	—	—	L3	L3	15.13"	24.75"	9.63"	—	None
65113	Shock	—	—	L3	L3	13.31"	20.94"	7.63"	—	None
65115	Shock	—	—	S6	S6	13.13"	21.63"	8.5"	—	P01482
65116	Shock	—	—	L4	L4	15.38"	24.25"	8.88"	—	None
65118	Shock	—	—	L4	L4	16.5"	26.37"	9.87"	—	None
65119	Shock	—	—	LS54	LS54	13.06"	20.45"	7.39"	—	None
65120	Shock	—	—	LS54	LS54	16.1"	26.51"	10.41"	—	None
65121	Shock	—	—	LS54	LS54	14"	22.5"	8.5"	—	None
65122	Shock	—	—	L3	L3	18.75"	32"	13.25"	—	None
65123	Shock	—	—	LS54	LS54	14.88"	24.25"	9.38"	—	None
65124	Shock	—	—	LS54	LS54	15.5"	24.5"	9"	—	None
65128	Shock	—	—	L3	LS62	16.13"	25.5"	9.38"	—	None
65140	Shock	—	—	LS86	LS86	14.38"	22.5"	8.13"	—	None
65142	Shock	—	—	LS26	LS26	17"	28.13"	11.13"	—	None
65143	Shock	—	—	LS53	LS53	13.22"	20.28"	7.06"	—	None
65144	Shock	—	—	LS53	LS53	13.22"	20.28"	7.06"	—	None
65145	Shock	—	—	LS53	LS53	13.22"	20.28"	7.06"	—	None
65146	Shock	—	—	LS53	LS53	16.44"	23.36"	6.92"	—	None
65147	Shock	—	—	LS54	LS53	13"	20.25"	7.25"	—	None
65148	Shock	—	—	LS86	LS86	14.63"	22.75"	8.13"	—	None
65153	Shock	—	—	LS54	S6	13.5"	21.5"	8"	—	P01482
65155	Shock	—	—	LS53	LS53	13.25"	20.31"	7.06"	—	None
65156	Shock	—	—	LS54	LS71	15.53"	25.34"	9.81"	—	None
65157	Shock	—	—	LS54	LS53	13.19"	20.73"	7.54"	—	None
65158	Shock	—	—	LS54	LS53	13.19"	20.73"	7.54"	—	None
65159	Shock	—	—	L4	LS87	15.88"	25.88"	10"	—	None
65160	Shock	—	—	S6	LS53	13.88"	22.56"	8.69"	—	P01482
65161	Shock	—	—	S6	S6	16.94"	29.25"	12.31"	—	P01482
65162	Shock	—	—	LS86	LS86	13.66"	21.41"	7.75"	—	None
65164	Shock	—	—	LS43	S5	14.75"	22.97"	8.22"	—	P01167
65165	Shock	—	—	LS47	LS47	15"	23.13"	8.13"	—	None
65166	Shock	—	—	LS54	LS68	15.56"	25.2"	9.64"	—	None
65167	Shock	—	—	LS47	S5	13.38"	20.88"	7.5"	—	P01167
65168	Shock	—	—	LS26	L1	15.06"	24.31"	9.25"	—	None
65169	Shock	—	—	S6	S6	13.99"	23.38"	9.39"	—	P01482
65171	Shock	—	—	LS54	LS53	19.13"	25.75"	6.63"	—	None
65172	Shock	—	—	LS47	LS47	13.5"	21.5"	8"	—	None
65173	Shock	—	—	S6	S6	11.13"	17.75"	6.63"	—	P01482
65174†	Shock	—	—	LS26	L1	17.06"	28.44"	11.38"	—	None
65175	Shock	—	—	LS80	LS87	13.19"	20.63"	7.44"	—	None
65176	Shock	—	—	LS80	LS87	13.16"	20.63"	7.47"	—	None
65178	Shock	—	—	LS53	LS53	14.52"	22.79"	8.27"	—	None
65179	Shock	—	—	LS54	LS53	14.63"	23.61"	8.97"	—	None
65180	Shock	—	—	LS54	LS53	16.65"	27.15"	10.47"	—	None
65181†	Shock	—	—	LS80	LS80	15.63"	24.01"	8.38"	—	None
65183	Shock	—	—	LS70	LS70	17.14"	26.45"	9.31"	—	None
65184	Shock	—	—	LS54	LS70	13.8"	21.07"	7.27"	—	None
65185	Shock	—	—	LS54	LS70	14.52"	22.67"	8.15"	—	None
65186	Shock	—	—	LS54	LS53	13.4"	20.8"	7.4"	—	None

† Bumper Stop Unit. Dimension Shown at Bumper Contact

‡ Hydraulic Lockout Unit. Dimension Shown is Metal-to-Metal, Subtract Approximately 5/8" (.62) from the Extended Length for Start-of-Engagement.

Part No.	Part Type	STRUT BODY		END CODE		LENGTHS			Spring (Rate)	Parts Pack(s)
		Type	Length	Body	Rod	Comp.	Ext.	Trav.		
65400†	Shock	—	—	L4	S6	17.38"	26.75"	9.38"	—	P01482
65401‡	Shock	—	—	LS54	LS54	17.88"	29.56"	11.69"	—	None
65402†	Shock	—	—	L4	S6	15.06"	24.06"	9"	—	P01482
65403	Shock	—	—	LS54	LS54	16.54"	26.8"	10.26"	—	None
65404†	Shock	—	—	S6	S6	12.01"	18.79"	6.78"	—	P01482
65405†	Shock	—	—	L3	L3	13.13"	20.07"	6.02"	—	P01009
65406†	Shock	—	—	L3	L3	17.38"	28"	10.63"	—	P01009
65407†	Shock	—	—	L4	L4	15.45"	24.16"	8.7"	—	None
65408†	Shock	—	—	LS71	S6	14.13"	21.75"	7.63"	—	P01482
65409†	Shock	—	—	LS53	LS53	15.75"	24.75"	9"	—	None
65410†	Shock	—	—	L4	L4	12.26"	17.82"	5.56"	—	None
65411†	Shock	—	—	LS54	LS54	16.38"	26.5"	10.13"	—	None
65412†	Shock	—	—	LS54	LS54	15.75"	25.22"	9.47"	—	None
65413†	Shock	—	—	S6	S6	14.63"	23.38"	8.75"	—	P01482
65414†	Shock	—	—	S6	S6	14.63"	23.38"	8.75"	—	P01482
65415†	Shock	—	—	L3	L3	16.88"	26.75"	9.88"	—	None
65416†	Shock	—	—	LS54	LS54	11.99"	17.75"	5.76"	—	None
65417†	Shock	—	—	LS65	LS65	11.63"	14.75"	3.13"	—	None
65418†	Shock	—	—	LS54	LS54	13.98"	21.75"	7.77"	—	None
65419†	Shock	—	—	LS54	LS54	11.63"	17"	5.38"	—	None
65420†	Shock	—	—	LS54	LS54	18.09"	29.98"	11.89"	—	None
65421†	Shock	—	—	LS54	LS54	15.53"	24.84"	9.31"	—	None
65425†	Shock	—	—	LS54	S6	12.99"	20.2"	7.21"	—	P01482
65429†	Shock	—	—	L3	L3	15.88"	24.75"	8.88"	—	None
65430†	Shock	—	—	L4	L4	13.32"	19.9"	6.58"	—	None
65431†	Shock	—	—	LS54	LS54	15.31"	24.31"	9"	—	None
65432†	Shock	—	—	LS54	LS54	13.69"	21.08"	7.39"	—	None
65433†	Shock	—	—	LS54	LS54	13.59"	20.61"	7.02"	—	None
65434†	Shock	—	—	L3	L3	13.58"	20.86"	7.28"	—	None
65435†	Shock	—	—	L4	L4	17.88"	28.25"	10.38"	—	None
65436†	Shock	—	—	S6	S6	11.38"	16.88"	5.5"	—	P01482
65439†	Shock	—	—	L4	L4	15.13"	21.5"	6.38"	—	None
65440†	Shock	—	—	L4	S6	16.13"	24.25"	8.13"	—	P01482
65442†	Shock	—	—	L4	L4	16.98"	26.25"	9.27"	—	None
65444†	Shock	—	—	L4	S6	14.97"	23.81"	8.84"	—	P01482
65448†	Shock	—	—	L4	L4	16.98"	26.2"	9.22"	—	None
65449†	Shock	—	—	L4	L4	15.75"	23.48"	7.73"	—	None
65451†	Shock	—	—	LS54	LS54	13.38"	20.36"	6.99"	—	None
65453†	Shock	—	—	LS54	LS54	16.95"	27.6"	10.65"	—	None
65455†	Shock	—	—	L4	L4	14.38"	21.38"	7"	—	None
65456†	Shock	—	—	L4	L4	20.25"	32.88"	12.63"	—	None
65458†	Shock	—	—	LS54	LS54	12.25"	17.63"	5.38"	—	None
65459†	Shock	—	—	LS54	LS54	17.38"	28.44"	11.06"	—	None
65463†	Shock	—	—	L4	L4	19.3"	31.97"	12.67"	—	None
65465†	Shock	—	—	LS54	LS54	10.34"	14.33"	3.98"	—	None
65466†	Shock	—	—	LS54	LS54	15.74"	25.19"	9.45"	—	None
65468†	Shock	—	—	S6	S6	15.63"	26"	10.38"	—	P01482
65472†	Shock	—	—	S6	L4	15.13"	23.7"	8.58"	—	P01482
65474†	Shock	—	—	L4	L4	13.63"	20"	6.38"	—	None
65475†	Shock	—	—	S6	LS53	17.25"	28"	10.75"	—	P01482
65478†	Shock	—	—	LS54	LS54	15.02"	23.75"	8.73"	—	None
65480†	Shock	—	—	S6	LS54	15.97"	26.1"	10.13"	—	P01482
65481†	Shock	—	—	LS54	LS54	16.51"	26.71"	10.2"	—	None
65482†	Shock	—	—	LS54	LS54	17.43"	28.45"	11.02"	—	None
65483†	Shock	—	—	LS75	LS75	18.13"	29.5"	11.38"	—	None
65484†	Shock	—	—	LS54	LS54	18.12"	30"	11.88"	—	None
65485†	Shock	—	—	LS54	LS54	18.76"	31.25"	12.49"	—	None
65486†	Shock	—	—	LS62	LS61	15.63"	24.98"	9.36"	—	None
65487†	Shock	—	—	LS53	LS53	15.5"	24.74"	9.24"	—	None
65488†	Shock	—	—	LS53	LS53	17.96"	26.54"	8.59"	—	None
65489†	Shock	—	—	LS60	LS59	13.5"	19.5"	6"	—	None

† Bumper Stop Unit. Dimension Shown at Bumper Contact

‡ Hydraulic Lockout Unit. Dimension Shown is Metal-to-Metal, Subtract Approximately 5/8" (.62) from the Extended Length for Start-of-Engagement.

# MOUNTING & LENGTH SPECIFICATIONS

Part No.	Part Type	STRUT BODY		END CODE		LENGTHS			Spring (Rate)	Parts Pack(s)
		Type	Length	Body	Rod	Comp.	Ext.	Trav.		
65490†	Shock	—	—	LS60	LS59	15"	22.91"	7.91"	—	None
65492‡	Shock	—	—	LS61	LS87	14.5"	22.5"	8"	—	None
65493†	Shock	—	—	LS54	LS54	12.08"	17.18"	5.1"	—	None
65494†	Shock	—	—	LS62	LS61	15.5"	24.81"	9.31"	—	None
65495‡	Shock	—	—	LS80	LS87	18.36"	30.5"	12.14"	—	None
65497‡	Shock	—	—	LS53	LS53	13.15"	18.31"	5.16"	—	None
65499‡	Shock	—	—	LS54	LS53	18.65"	25.37"	6.71"	—	None
65500‡	Shock	—	—	LS54	LS54	11.86"	17.5"	5.64"	—	None
65501†	Shock	—	—	LS54	LS54	11.78"	17.34"	5.56"	—	None
65502‡	Shock	—	—	LS54	LS54	10.99"	15.75"	4.76"	—	None
65503‡	Shock	—	—	LS54	LS54	14.3"	22.13"	7.83"	—	None
65504‡	Shock	—	—	LS87	LS54	15.17"	24.13"	8.95"	—	P01471
65505‡	Shock	—	—	LS75	LS75	17.4"	28.53"	11.13"	—	None
65506‡	Shock	—	—	LS75	LS54	15.75"	25.22"	9.47"	—	None
65507‡	Shock	—	—	S6	LS62	13.77"	21.86"	8.09"	—	P01482
65508‡	Shock	—	—	S6	LS62	14.8"	23.92"	9.13"	—	P01482
65510‡	Shock	—	—	LS54	LS54	9.75"	13.25"	3.5"	—	None
65511‡	Shock	—	—	LS54	LS54	10.34"	14.5"	4.16"	—	None
65512‡	Shock	—	—	LS54	LS54	11.06"	15.91"	4.85"	—	None
65513‡	Shock	—	—	LS54	LS54	12.96"	19.5"	6.54"	—	None
65514‡	Shock	—	—	LS54	LS54	16.19"	25.92"	9.73"	—	None
65519‡	Shock	—	—	LS54	LS54	13.3"	20.06"	6.77"	—	None
65522‡	Shock	—	—	LS53	LS53	17.41"	28.59"	11.19"	—	None
65523‡	Shock	—	—	S6	LS99	12.75"	19.75"	7"	—	P01482
65524‡	Shock	—	—	S6	LS87	11.8"	17.86"	6.06"	—	P01482
65525‡	Shock	—	—	LS102	LS102	10.84"	15.25"	4.41"	—	None
65526‡	Shock	—	—	LS86	LS59	18.63"	30.69"	12.06"	—	None
65527‡	Shock	—	—	LS86	LS53	13.8"	21.25"	7.45"	—	None
65528‡	Shock	—	—	S6	S6	15.94"	26.31"	10.38"	—	P01482
65529‡	Shock	—	—	LS86	LS59	15.91"	25.39"	9.49"	—	None
65530	Shock	—	—	LS86	LS69	14.02"	21.36"	7.34"	—	None
65531	Shock	—	—	L4	L4	10.51"	14.13"	3.62"	—	None
65532	Shock	—	—	LS87	LS69	15.17"	23.57"	8.95"	—	None
65533‡	Shock	—	—	LS53	LS53	15.06"	23.67"	8.61"	—	None
65534‡	Shock	—	—	L4	S6	15.81"	23.96"	8.15"	—	P01482
65535‡	Shock	—	—	LS54	LS53	13.47"	20.68"	7.21"	—	None
65536	Shock	—	—	LS61	LS69	15.22"	24.18"	8.96"	—	None
65537	Shock	—	—	LS87	LS69	14.09"	21.94"	7.85"	—	None
65538	Shock	—	—	LS61	LS69	14.86"	23.38"	8.52"	—	None
65539	Shock	—	—	LS87	LS69	14.56"	22.89"	8.3"	—	None
65540	Shock	—	—	LS70	LS70	13.5"	21.12"	7.63"	—	None
65541	Shock	—	—	LS95	LS95	13.78"	21.31"	7.53"	—	None
65542	Shock	—	—	LS75	LS75	13.93"	21.65"	7.72"	—	None
65543‡	Shock	—	—	LS98	LS61	14.66"	22.81"	8.15"	—	None
65546	Shock	—	—	LS84	LS83	13.78"	21.3"	7.52"	—	None
65547	Shock	—	—	LS52	LS80	15.65"	24.61"	8.96"	—	None
65548	Shock	—	—	LS70	LS70	13.04"	19.87"	6.83"	—	None
66101	Shock	—	—	LS80	LS80	7.56"	9.96"	2.4"	—	None
66102	Shock	—	—	LS79	LS79	8.56"	11.96"	3.4"	—	None
66104	Shock	—	—	LS14	LS14	7.25"	9.38"	2.13"	—	None
66105	Shock	—	—	LS41	LS39	7.88"	10.88"	3"	—	None
66108	Shock	—	—	LS44	LS89	8.38"	10.25"	1.88"	—	None
66109	Shock	—	—	LS77	LS77	8"	9.38"	1.38"	—	None
66112	Shock	—	—	LS76	LS76	8.25"	11"	2.75"	—	None
66115	Shock	—	—	S4	LS29	8.25"	11.38"	3.13"	—	P01135
66116	Shock	—	—	S4	LS79	8.63"	10.38"	1.75"	—	P01135
66117†	Shock	—	—	S4	LS37	7.91"	9.41"	1.5"	—	P01135
66118	Shock	—	—	L1	LS84	8.33"	10.33"	2"	—	None
66120	Shock	—	—	LS23	LS23	6.5"	8.5"	2"	—	None
66121	Shock	—	—	L1	LS84	9.71"	11.82"	2.11"	—	None
66122	Shock	—	—	L1	LS84	8.33"	10.33"	2"	—	None

† Bumper Stop Unit. Dimension Shown at Bumper Contact

‡ Hydraulic Lockout Unit. Dimension Shown is Metal-to-Metal, Subtract Approximately 5/8" (.62) from the Extended Length for Start-of-Engagement.



# MOUNTING & LENGTH SPECIFICATIONS

Part No.	Part Type	STRUT BODY		END CODE		LENGTHS			Spring (Rate)	Parts Pack(s)
		Type	Length	Body	Rod	Comp.	Ext.	Trav.		
66123	Shock	—	—	LS80	LS79	7.25"	9.38"	2.13"	—	None
66124	Shock	—	—	LS97	LS96	8.63"	10.38"	1.75"	—	None
66125	Shock	—	—	LS80	LS98	9.96"	12.82"	2.88"	—	None
66126	Shock	—	—	LS14	LS14	7.36"	9.38"	2.02"	—	None
66138†	Shock	—	—	L3	L3	19.72"	32.73"	13.02"	—	None
66142†	Shock	—	—	LS33	LS33	8.33"	10.33"	2"	—	None
66143	Shock	—	—	L1	L1	11.75"	18.7"	6.95"	—	P00019
66145	Shock	—	—	LS79	LS79	9.13"	13.13"	4"	—	None
66147	Shock	—	—	LS77	LS77	8.63"	10.38"	1.75"	—	None
66149	Shock	—	—	LS37	LS37	9.25"	14"	4.75"	—	None
66157	Shock	—	—	S4	XP7	7.13"	9.75"	2.63"	—	P01134
66159	Shock	—	—	LS24	LS24	8.47"	11.58"	3.09"	—	None
66161	Shock	—	—	LS77	LS77	8.13"	10.88"	2.75"	—	None
66162	Shock	—	—	LS73	LS73	6.38"	7.88"	1.5"	—	None
66178	Shock	—	—	LS72	LS14	6.63"	8.38"	1.75"	—	None
66182	Shock	—	—	S4	XP7	5.75"	7.38"	1.63"	—	P01098
66189	Shock	—	—	S4	XP8	8.75"	10.88"	2.13"	—	P01134
66193	Shock	—	—	LS8	LS8	7.38"	9.75"	2.38"	—	None
66195	Shock	—	—	LS4	LS4	10.5"	14"	3.5"	—	None
66196†	Shock	—	—	S4	LS37	10.12"	13.84"	3.72"	—	P01136
66201	Shock	—	—	LS34	LS77	9.6"	13.42"	3.82"	—	None
66202	Shock	—	—	S6	LS77	9.32"	12.85"	3.53"	—	P01482
66203	Shock	—	—	LS80	LS98	9.23"	12.26"	3.03"	—	None
66204‡	Shock	—	—	LS14	LS14	8.64"	11.43"	2.79"	—	None
66205†	Shock	—	—	LS80	LS53	9.2"	10.76"	1.5"	—	None
66206†	Shock	—	—	L1	LS37	9.56"	12.73"	3.17"	—	None
66208	Shock	—	—	LS14	LS14	7.34"	9.52"	2.18"	—	None
66209	Shock	—	—	LS97	LS96	8.45"	10.49"	2.05"	—	None
66402	Shock	—	—	LS53	LS54	15.63"	25.13"	9.5"	—	None
66403	Shock	—	—	S6	LS71	12.88"	20.88"	8"	—	P01482
66405	Shock	—	—	S6	LS71	11.88"	18.88"	7"	—	P01482
66407‡	Shock	—	—	LS54	S6	13.88"	22.19"	8.31"	—	P01482
66412	Shock	—	—	LS53	LS53	11.67"	18.12"	6.45"	—	None
66413	Shock	—	—	L3	L3	12.17"	19.13"	6.95"	—	None
66414	Shock	—	—	LS47	LS47	12.92"	20.63"	7.7"	—	None
66415	Shock	—	—	LS28	LS47	12.99"	20.81"	7.82"	—	None
66417	Shock	—	—	LS43	LS48	12.69"	20.22"	7.53"	—	None
66419‡	Shock	—	—	LS61	LS61	14.44"	22.63"	8.19"	—	None
66420	Shock	—	—	LS44	LS44	12.73"	19.51"	6.77"	—	None
66422‡	Shock	—	—	LS53	LS53	13.28"	20.31"	7.03"	—	None
66423	Shock	—	—	L4	L4	16.27"	26.72"	10.45"	—	None
66424‡	Shock	—	—	S6	S6	12.05"	18.8"	6.75"	—	P01482
66428‡	Shock	—	—	L4	S6	16.61"	27.38"	10.77"	—	P01482
66429‡	Shock	—	—	L4	S6	14.98"	23.99"	9.01"	—	P01482
66431‡	Shock	—	—	LS62	LS61	15.69"	25.06"	9.38"	—	None
66436‡	Shock	—	—	LS80	LS87	18.31"	30.45"	12.14"	—	None
66437	Shock	—	—	LS54	LS54	14.05"	22.58"	8.76"	—	None
66438‡	Shock	—	—	LS54	LS54	11.05"	16.07"	5.02"	—	None
66439†	Shock	—	—	LS30	LS106	15.93"	25.96"	10.03"	—	None
66440	Shock	—	—	LS51	LS51	12.38"	19.73"	7.35"	—	None
66442	Shock	—	—	LS54	LS54	10.72"	15.4"	4.68"	—	None
66443	Shock	—	—	LS54	LS54	10.94"	15.71"	4.77"	—	None
66445	Shock	—	—	LS53	LS53	12.39"	18.99"	6.59"	—	None
66446	Shock	—	—	LS54	LS54	13.07"	21.4"	8.33"	—	None
66448	Shock	—	—	LS54	LS54	14.45"	22.86"	8.41"	—	None
66449	Shock	—	—	LS51	LS51	12.38"	19.73"	7.35"	—	None
66450	Shock	—	—	LS28	LS43	12.41"	19.87"	7.46"	—	None
66451	Shock	—	—	LS30	LS106	15.93"	25.96"	10.03"	—	None
66452†	Shock	—	—	LS30	LS106	15.93"	25.96"	10.03"	—	None
66453	Shock	—	—	LS78	LS78	14.48"	21.9"	7.42"	—	None
66454	Shock	—	—	LS54	LS54	15.66"	25.4"	9.74"	—	None

† Bumper Stop Unit. Dimension Shown at Bumper Contact

‡ Hydraulic Lockout Unit. Dimension Shown is Metal-to-Metal, Subtract Approximately 5/8" (.62) from the Extended Length for Start-of-Engagement.

# MOUNTING & LENGTH SPECIFICATIONS

Part No.	Part Type	STRUT BODY		END CODE		LENGTHS			Spring (Rate)	Parts Pack(s)
		Type	Length	Body	Rod	Comp.	Ext.	Trav.		
66455	Shock	—	—	LS54	LS54	15.66"	25.4"	9.74"	—	None
66456	Shock	—	—	LS38	LS38	15.34"	23.74"	8.4"	—	None
66457	Shock	—	—	LS28	LS43	14.28"	22.14"	7.86"	—	None
66458	Shock	—	—	LS75	LS75	13.89"	20.74"	6.85"	—	None
66459	Shock	—	—	L1	L1	15.46"	26.19"	10.73"	—	None
66502†	Steering Damper	—	—	LS54	LS54	14.05"	22.58"	8.53"	—	None
66504	Steering Damper	—	—	L6	L6	13.94"	22.47"	8.53"	—	None
66505†	Steering Damper	—	—	LS54	LS54	16.98"	28.56"	11.58"	—	None
66506	Steering Damper	—	—	LS54	LS54	13.9"	22.68"	8.78"	—	None
66601	Shock	—	—	LS82	S4	13.5"	22.88"	9.38"	—	P01136
66602	Shock	—	—	L1	S4	12.5"	20.88"	8.38"	—	P01134
66603	Shock	—	—	S5	S5	12.25"	20.13"	7.88"	—	P01167
66605	Shock	—	—	S5	S5	12.86"	21.39"	8.53"	—	P01303
66606‡	Shock	—	—	LS53	LS53	17.06"	27.17"	10.11"	—	None
66607‡	Shock	—	—	LS54	LS54	9.94"	13.47"	3.53"	—	None
66608‡	Shock	—	—	LS54	LS54	11.69"	16.83"	5.14"	—	None
66609	Shock	—	—	S6	LS54	13.38"	21.75"	8.38"	—	P01482
66610‡	Shock	—	—	LS54	LS54	12.58"	18.7"	6.13"	—	None
66613‡	Shock	—	—	LS54	LS54	17.06"	27.04"	9.98"	—	None
66615	Shock	—	—	S6	LS71	13.63"	22.25"	8.63"	—	P01482
66618	Shock	—	—	L3	L3	13.38"	21.5"	8.13"	—	None
66624	Shock	—	—	L3	L3	15.5"	25.63"	10.13"	—	None
66626	Shock	—	—	S6	S6	15.13"	25.88"	10.75"	—	P01482
66627‡	Shock	—	—	LS54	LS54	10.44"	14.45"	4.02"	—	None
66628	Shock	—	—	S6	S6	16.88"	29.5"	12.63"	—	P01482
66629	Shock	—	—	L3	L3	18.63"	32.13"	13.5"	—	P00119
66633‡	Shock	—	—	LS54	LS54	13.81"	21.2"	7.39"	—	None
66634‡	Shock	—	—	LS54	LS54	12.19"	17.86"	5.67"	—	None
66636‡	Shock	—	—	LS54	LS54	13.44"	20.45"	7.02"	—	None
66637	Shock	—	—	LS54	L1/CP5	14.13"	23"	8.88"	—	P00019
66638‡	Shock	—	—	LS54	LS54	16.69"	26.83"	10.14"	—	None
66639	Shock	—	—	L1	S4	13.25"	22"	8.75"	—	P01136
66646	Shock	—	—	L3	L3	15.25"	25"	9.75"	—	P00119
66648	Shock	—	—	S6	LS54	13.71"	21.35"	7.64"	—	P01482
66653	Shock	—	—	L3	S4	13.96"	23.25"	9.29"	—	P01134
66656‡	Shock	—	—	S6	LS54	14.47"	22.97"	8.5"	—	P01482
66658‡	Shock	—	—	LS54	S6	15.05"	24.07"	9.02"	—	P01482
66660‡	Shock	—	—	L4	LS54	12.72"	19.21"	6.49"	—	None
66666	Shock	—	—	LS38	LS38	13.88"	22.88"	9"	—	None
66668	Shock	—	—	L3	L3	15.72"	26"	10.28"	—	P00119
66671	Shock	—	—	LS54	LS54	16"	26.75"	10.75"	—	None
66675	Shock	—	—	L3	S5	13.38"	22"	8.63"	—	P01167
66683‡	Shock	—	—	LS53	LS53	15.31"	24.07"	8.76"	—	None
66684	Shock	—	—	L4	L4	14.89"	24.09"	9.2"	—	None
66691	Shock	—	—	LS53	LS41	15"	24"	9"	—	P01322
66692	Shock	—	—	S6	LS71	13.75"	22.63"	8.88"	—	P01482
66697	Shock	—	—	LS40	LS54	14.63"	24.25"	9.63"	—	None
66707	Shock	—	—	L4	L4	16.02"	25.47"	9.45"	—	None
66710‡	Shock	—	—	LS54	LS54	18.06"	29.7"	11.64"	—	None
66713	Shock	—	—	LS75	S5	18.25"	31.88"	13.63"	—	P01167
66714	Shock	—	—	L3	L3	14.38"	23.38"	9"	—	P00119,P00936
66715	Shock	—	—	S6	LS80	14.13"	23.13"	9"	—	P01482
66717	Shock	—	—	L3	S4	14.25"	23.42"	9.17"	—	P01134,P00120,P00936
66719	Shock	—	—	LS54	LS54	19.38"	33.5"	14.13"	—	None
66721	Shock	—	—	L3	L3	15.44"	25.29"	9.85"	—	None
66722	Shock	—	—	L3	S4	14.45"	24.3"	9.85"	—	P01134, P00120
66810	Shock	—	—	L2	L2	17.5"	30.25"	12.75"	—	None
66811	Shock	—	—	L3	L3	16.17"	26.56"	10.39"	—	P00119
66828	Shock	—	—	L3	L3	13.13"	21.13"	8"	—	P00575
66829	Shock	—	—	S4	S4	11.5"	18.75"	7.25"	—	P01136
66833‡	Shock	—	—	LS54	LS54	15.81"	25.2"	9.39"	—	None

† Bumper Stop Unit. Dimension Shown at Bumper Contact

‡ Hydraulic Lockout Unit. Dimension Shown is Metal-to-Metal, Subtract Approximately 5/8" (.62) from the Extended Length for Start-of-Engagement.

# MOUNTING & LENGTH SPECIFICATIONS

Part No.	Part Type	STRUT BODY		END CODE		LENGTHS			Spring (Rate)	Parts Pack(s)
		Type	Length	Body	Rod	Comp.	Ext.	Trav.		
66841	Shock	—	—	L3	L3	14.38"	23.5"	9.13"	—	P00575
66858	Shock	—	—	L2	L2	12"	19.25"	7.25"	—	None
66859	Shock	—	—	L2	L2	16.13"	27.13"	11"	—	None
66860†	Shock	—	—	L3	L3	15.16"	24.56"	9.41"	—	P00119
66861†	Shock	—	—	L3	L3	17.31"	28.69"	11.38"	—	None
66863	Shock	—	—	L3	L3	18"	30.75"	12.75"	—	P00119
66864	Shock	—	—	L4	L4	17.68"	28.8"	11.12"	—	None
66878	Shock	—	—	LS54	LS54	14.56"	23.91"	9.34"	—	None
66884‡	Shock	—	—	LS54	LS54	17.19"	27.95"	10.77"	—	None
66886‡	Shock	—	—	LS54	LS54	13.95"	21.86"	7.91"	—	None
66891	Shock	—	—	L4	L4	16.3"	26.72"	10.42"	—	None
66893‡	Shock	—	—	LS54	LS54	11.94"	17.45"	5.52"	—	None
66897‡	Shock	—	—	LS54	LS54	15.44"	24.33"	8.89"	—	None
66902	Shock	—	—	L1	L1	14.13"	23.88"	9.75"	—	None
66903	Shock	—	—	S4	S4	12.75"	21.75"	9"	—	P01134
66913	Shock	—	—	LS54	L1/CP5	15"	24.88"	9.88"	—	P00019
66921	Shock	—	—	S5	S5	13.5"	23.63"	10.13"	—	P01303
66923	Shock	—	—	S5	S5	14"	24.13"	10.13"	—	P01303
66924	Shock	—	—	LS53	S5	16.13"	27.5"	11.38"	—	P01303
66956‡	Shock	—	—	LS53	LS53	15.73"	25.41"	9.68"	—	None
66957‡	Shock	—	—	L4	L4	15.28"	23.69"	8.41"	—	None
66966	Shock	—	—	S6	L4	15.5"	25.25"	9.75"	—	P01482
66969‡	Shock	—	—	LS54	LS54	15.43"	24.45"	9.02"	—	None
71059	Strut	B9	14.62"	—	—	15.12"	21.1"	5.98"	—	None
71060	Strut	B9	14.62"	—	—	15.12"	21.1"	5.98"	—	None
71100	Strut	SS4	13"	—	—	13.56"	18.39"	4.83"	—	None
71101†	Strut	SS2	10.52"	—	—	11.02"	15.35"	4.33"	—	P00906
71102†	Strut	SS3	10.49"	—	—	10.99"	15.56"	4.57"	—	P01614
71103	Strut	SS2	10.49"	—	—	10.99"	15.56"	4.57"	—	P01614
71105	Strut	SS2	11.5"	—	—	12.52"	16.44"	3.92"	—	P00762
71106	Strut	SS2	11.5"	—	—	12.52"	16.44"	3.92"	—	P00762
71107	Strut	SS2	10"	—	—	12"	17.5"	5.5"	—	P00906
71109	Strut	SS2	10"	—	—	10.49"	19.49"	9"	—	None
71110	Strut	SS2	14.45"	—	—	14.59"	19.49"	4.9"	—	None
71111	Strut	SS4	14.84"	—	—	15.43"	21.19"	5.76"	—	P01746
71112	Strut	SS2	11.5"	—	—	12.01"	16.46"	4.45"	—	P00522
71113	Strut	SS2	11.32"	—	—	11.82"	17.74"	5.92"	—	P00762
71114	Strut	SS2	10"	—	—	10.55"	15.04"	4.49"	—	P00906
71115	Strut	SS2	15.68"	—	—	16.18"	22.4"	6.22"	—	P00906
71116	Strut	B3	18.63"	—	—	19.13"	24.41"	5.28"	—	P00762
71117	Strut	B3	18.63"	—	—	19.13"	24.41"	5.28"	—	P00762
71119	Strut	SS2	17.8"	—	—	17.76"	23.55"	5.76"	—	P01613
71122	Strut	SS4	14.15"	—	—	14.65"	20.16"	5.51"	—	P00906
71123	Strut	SS2	14.82"	—	—	15.32"	22.6"	7.29"	—	P00906
71124†	Strut	SS2	18.82"	—	—	19.32"	20.42"	1.1"	—	P01611
71125	Strut	SS3	13.02"	—	—	13.52"	19.69"	6.17"	—	P01611
71126	Strut	SS2	12.63"	—	—	13.13"	20.64"	7.51"	—	P00906
71128	Strut	B11	16.28"	—	—	12.46"	19.5"	7.04"	—	P00762
71130	Strut	B11	11.59"	—	—	12.09"	19.6"	7.51"	—	P00762
71131	Strut	B11	11.59"	—	—	12.09"	19.6"	7.51"	—	P00762
71133	Strut	SS2	15.02"	—	—	15.52"	18.52"	3"	—	P00839
71134	Strut	SS2	15.02"	—	—	15.52"	18.52"	3"	—	P00839
71135	Strut	B11	13.81"	—	—	14.14"	20.81"	6.67"	—	P00762
71136	Strut	B11	13.81"	—	—	14.14"	20.81"	6.67"	—	P00762
71137	Strut	SPEC	—	—	—	17.68"	22.25"	4.57"	—	P01613
71138	Strut	SS1	15.65"	—	—	16.15"	21.3"	5.15"	—	P01388
71139†	Strut	SS1	14.93"	—	—	15.43"	21.11"	5.68"	—	P01388
71140	Strut	SS2	15.88"	—	—	16.38"	21.18"	4.8"	—	P01388
71141	Strut	SS2	16.6"	—	—	17.17"	21.64"	4.47"	—	P01769
71143	Strut	B3	10.56"	—	—	11.06"	14.92"	3.86"	—	None
71144	Strut	B3	10.56"	—	—	11.06"	14.92"	3.86"	—	None

† Bumper Stop Unit. Dimension Shown at Bumper Contact

‡ Hydraulic Lockout Unit. Dimension Shown is Metal-to-Metal, Subtract Approximately 5/8" (.62) from the Extended Length for Start-of-Engagement.

# MOUNTING & LENGTH SPECIFICATIONS

Part No.	Part Type	STRUT BODY		END CODE		LENGTHS			Spring (Rate)	Parts Pack(s)
		Type	Length	Body	Rod	Comp.	Ext.	Trav.		
71145	Strut	SS2	12.13"	—	—	12.63"	18.88"	6.25"	—	None
71147	Strut	SS2	11.06"	—	—	11.5"	17.31"	5.81"	—	P00906
71148	Strut	SS4	11.77"	—	—	12.75"	18.39"	5.64"	—	None
71202†	Strut	SS1	12.63"	—	—	13.25"	21.5"	8.25"	—	P01006
71256‡	Strut	SS1	12"	—	—	12.25"	19"	6.75"	—	P00762
71265‡	Strut	SS1	16.13"	—	—	16.5"	25"	8.5"	—	P01006
71266‡	Strut	SS5	13.13"	—	—	13.25"	19.38"	6.13"	—	P00878
71267‡	Strut	SS4	17.25"	—	—	17.75"	25.25"	7.5"	—	P01249
71272‡	Strut	SS2	13.5"	—	—	13.63"	20.38"	6.75"	—	BE17110142
71276‡	Strut	SS2	14.63"	—	—	15"	21"	6"	—	P01629
71278‡	Strut	SS2	10.68"	—	—	11.18"	16.67"	5.49"	—	None
71281†	Strut	SS2	17.13"	—	—	17.38"	23.75"	6.38"	—	None
71285‡	Strut	SS1	13.13"	—	—	13.38"	18.13"	4.75"	—	P00942
71291†	Strut	SPEC	9.56"	—	—	10"	15.38"	5.38"	—	P00906
71292‡	Strut	SPEC	12.75"	—	—	13.25"	19.25"	6"	—	P00878
71293‡	Strut	B3	12.01"	—	—	12.51"	17.73"	5.22"	—	P00906
71294‡	Strut	SPEC	11.88"	—	—	12.38"	19"	6.63"	—	BE17110283
71296‡	Strut	SS2	14.25"	—	—	14.5"	21.25"	6.75"	—	None
71297‡	Strut	SPEC	11.56"	—	—	12"	19.25"	7.25"	—	P01498
71309‡	Strut	SS2	14.63"	—	—	15.13"	23.25"	8.13"	—	BE17110467
71311†	Strut	SS4	12.9"	—	—	13.4"	20.43"	7.03"	—	None
71312‡	Strut	SS2	11"	—	—	11.5"	16.5"	5"	—	None
71313‡	Strut	SS2	14"	—	—	14.5"	21.5"	7"	—	BE17110505
71321	Strut	SPEC	16.04"	—	—	16.54"	19.06"	2.52"	—	P01611
71322	Strut	SS2	13.02"	—	—	13.52"	19.69"	6.17"	—	P01611
71326	Strut	SS2	15.38"	—	—	15.75"	22.38"	6.63"	—	P01629
71327†	Strut	SS2	12.25"	—	—	12.88"	17.63"	4.75"	—	P01623
71331	Strut	SS4	17.63"	—	—	19"	24.5"	5.5"	—	P00838
71332	Strut	SS1	14.25"	—	—	15.63"	23.5"	7.88"	—	BE17110497
71334‡	Strut	SS2	13"	—	—	13.75"	18.63"	4.88"	—	BE17110616
71335‡	Strut	SS4	17.13"	—	—	18.13"	22"	3.88"	—	BE17110625
71339	Strut	SS2	16.38"	—	—	16.63"	25.38"	8.75"	—	P00906
71340	Strut	SS2	10"	—	—	10.38"	14.75"	4.38"	—	BE17110696
71341†	Strut	B3	11.02"	—	—	11.07"	16.08"	5.01"	—	None
71344	Strut	SS2	17.5"	—	—	17.75"	20.38"	2.63"	—	P01708
71345	Strut	SS2	12.63"	—	—	13.13"	17.38"	4.25"	—	P01708
71346‡	Strut	SS3	11.75"	—	—	12.25"	15.52"	3.27"	—	P01611
71347†	Strut	SS3	13.13"	—	—	13.63"	17.88"	4.25"	—	P01612
71348	Strut	SS3	13.25"	—	—	13.5"	17.13"	3.63"	—	P01612
71349	Strut	SS2	14.88"	—	—	15.5"	23.25"	7.75"	—	BE17110549
71351†	Strut	SS2	13.05"	—	—	13.5"	16.18"	2.68"	—	P01612
71352‡	Strut	SS2	13.12"	—	—	13.62"	18.19"	4.57"	—	P01612
71353	Strut	SS2	10.56"	—	—	11.04"	16.11"	5.07"	—	P01612
71354	Strut	SS2	9.75"	—	—	10.38"	13.13"	2.75"	—	P00762
71356	Strut	SS2	13.88"	—	—	14.38"	21"	6.63"	—	BE17110307
71357	Strut	SS2	12.85"	—	—	12.92"	18.69"	5.77"	—	None
71358	Strut	SS2	10.5"	—	—	10.99"	15.38"	4.39"	—	P01614
71359	Strut	SS2	10.88"	—	—	11.63"	16.25"	4.63"	—	None
71360	Strut	SS2	16"	—	—	16.13"	23.5"	7.38"	—	None
71361	Strut	SS2	16.88"	—	—	17.3"	21.63"	4.33"	—	P01760
71362	Strut	SS2	15.2"	—	—	15.77"	20.71"	4.94"	—	P01760
71363	Strut	SS2	11"	—	—	11.75"	16"	4.25"	—	P00762
71364	Strut	B3	12"	—	—	12.38"	17.75"	5.38"	—	P00906
71366	Strut	SS2	17.63"	—	—	17.88"	21.63"	3.75"	—	BE17110547
71367	Strut	SS2	13.25"	—	—	13.5"	18"	4.5"	—	BE17110547
71368	Strut	SS2	17.25"	—	—	17.75"	20.38"	2.63"	—	P01708
71369	Strut	SS1	15.69"	—	—	16.14"	21.05"	4.91"	—	P01388
71371	Strut	SS2	16.44"	—	—	16.89"	22.39"	5.5"	—	P01613
71372	Strut	SS2	16.63"	—	—	17.13"	24.88"	7.75"	—	P00906
71373	Strut	SS2	11"	—	—	11.5"	16.5"	5"	—	P00839
71375	Strut	SS2	10.94"	—	—	11.16"	16"	4.84"	—	P00839

† Bumper Stop Unit. Dimension Shown at Bumper Contact

‡ Hydraulic Lockout Unit. Dimension Shown is Metal-to-Metal, Subtract Approximately 5/8" (.62) from the Extended Length for Start-of-Engagement.

# MOUNTING & LENGTH SPECIFICATIONS

Part No.	Part Type	STRUT BODY		END CODE		LENGTHS			Spring (Rate)	Parts Pack(s)
		Type	Length	Body	Rod	Comp.	Ext.	Trav.		
71377	Strut	B4	13.57"	—	—	14.07"	20.32"	6.25"	—	None
71379	Strut	SS2	9.13"	—	—	11.13"	17.38"	6.25"	—	P01629
71380	Strut	SS2	10.52"	—	—	11.02"	15.71"	4.69"	—	P00906
71381	Strut	SS2	10.13"	—	—	12.13"	17"	4.88"	—	P00906
71391	Strut	B3	11.31"	—	—	11.81"	18.5"	6.69"	—	BE17110629
71398	Strut	SS2	16.25"	—	—	16.66"	20.84"	4.18"	—	P01611
71400	Strut	B10	12.13"	—	—	12.63"	18.75"	6.13"	—	P00762
71401	Strut	B10	12.13"	—	—	12.63"	18.75"	6.13"	—	P00762
71414	Strut	B2	17"	—	—	17.5"	25.5"	8"	—	None
71415	Strut	B2	17"	—	—	17.5"	25.5"	8"	—	None
71416†	Strut	B10	14.25"	—	—	14.75"	22.5"	7.75"	—	None
71417	Strut	B3	11.63"	—	—	12"	16.75"	4.75"	—	P00906
71426†	Strut	B10	13.38"	—	—	13.63"	20.5"	6.88"	—	P00762
71427†	Strut	B10	13.38"	—	—	13.63"	20.5"	6.88"	—	P00762
71435	Strut	B11	16"	—	—	16.38"	23"	6.63"	—	P00762
71436	Strut	B11	16"	—	—	16.38"	23"	6.63"	—	P00762
71441†	Strut	B10	15.25"	—	—	15.73"	22.6"	6.87"	—	P00762
71442†	Strut	B10	15.75"	—	—	16"	22.63"	6.63"	—	P00762
71453	Strut	B9	11.88"	—	—	15.5"	22.75"	7.25"	—	P00808
71454	Strut	B9	11.88"	—	—	15.5"	22.75"	7.25"	—	P00808
71455	Strut	B3	10"	—	—	10.25"	15.5"	5.25"	—	BE17110666
71456	Strut	B3	10"	—	—	10.25"	15.5"	5.25"	—	BE17110666
71469	Strut	B4	14.5"	—	—	15.25"	22"	6.75"	—	P00808
71471	Strut	SPEC	16.75"	—	—	17"	21.5"	4.5"	—	BE17110433
71483	Strut	B9	12.63"	—	—	13.63"	20"	6.38"	—	BE17110461
71484	Strut	B9	13.13"	—	—	13.63"	20"	6.38"	—	BE17110461
71485	Strut	B11	13.63"	—	—	14.13"	20.75"	6.63"	—	BE17110535
71486	Strut	SPEC	15.63"	—	—	16.13"	20.25"	4.13"	—	BE17110693
71488	Strut	SPEC	15.63"	—	—	16.13"	19.5"	3.38"	—	BE17110693
71490	Strut	B11	14.38"	—	—	14.5"	21.75"	7.25"	—	None
71491	Strut	B11	14.38"	—	—	14.5"	21.75"	7.25"	—	None
71492†	Strut	B11	10.84"	—	—	15.84"	24.49"	8.65"	—	P00808
71493†	Strut	B11	10.84"	—	—	15.84"	24.49"	8.65"	—	P00808
71496	Strut	B2	16.21"	—	—	16.71"	24.35"	7.64"	—	P00808
71497	Strut	B2	16.25"	—	—	16.71"	24.35"	7.64"	—	P00808
71498	Strut	B2	14.6"	—	—	15.26"	23.3"	8.04"	—	P00808
71499	Strut	B2	14.6"	—	—	15.26"	23.3"	8.04"	—	P00808
71504†	Strut	B4	13.27"	—	—	13.98"	20.28"	6.3"	—	BE17110533
71505†	Strut	B4	13.27"	—	—	13.98"	20.28"	6.3"	—	P00762
71512†	Strut	SPEC	16.75"	—	—	17"	22.25"	5.25"	—	P00808
71525†	Strut	B4	14.5"	—	—	15.25"	22"	6.75"	—	P00808
71557†	Strut	B2	13"	—	—	13.5"	19.88"	6.38"	—	P00808
71558†	Strut	B2	13"	—	—	13.5"	19.88"	6.38"	—	P00808
71565†	Strut	B3	9.49"	—	—	9.99"	13.33"	3.34"	—	P01095
71566	Strut	B11	12.63"	—	—	12.88"	18.75"	5.88"	—	P00762
71567	Strut	B11	12.63"	—	—	12.88"	18.75"	5.88"	—	P00762
71568†	Strut	B11	13.38"	—	—	14.25"	20.25"	6"	—	P00762
71569†	Strut	B11	13.38"	—	—	14.25"	20.25"	6"	—	P00762
71570†	Strut	B10	14.88"	—	—	16.63"	23.38"	6.75"	—	P00762
71571†	Strut	B10	14.88"	—	—	16.63"	23.38"	6.75"	—	P00762
71572†	Strut	B5	11.14"	—	—	11.46"	18.56"	7.1"	—	None
71573†	Strut	B10	15"	—	—	16"	22.63"	6.63"	—	P00762
71574†	Strut	B10	15.75"	—	—	16"	22.63"	6.63"	—	P00762
71575†	Strut	B10	12.88"	—	—	13.38"	20.5"	7.13"	—	BE17110543
71577†	Strut	B4	9.38"	—	—	9.63"	13.88"	4.25"	—	None
71580†	Strut	B5	11.56"	—	—	12"	18"	6"	—	None
71581†	Strut	B3	14.63"	—	—	15"	19.5"	4.5"	—	BE17110432
71582	Strut	B3	14.75"	—	—	15"	19.5"	4.5"	—	BE17110432
71583†	Strut	B3	13.38"	—	—	13.38"	18"	4.63"	—	P00906
71584†	Strut	B10	13.88"	—	—	14"	22.5"	8.5"	—	P00762
71585†	Strut	B10	13.88"	—	—	14"	22.25"	8.25"	—	P00762

† Bumper Stop Unit. Dimension Shown at Bumper Contact

‡ Hydraulic Lockout Unit. Dimension Shown is Metal-to-Metal, Subtract Approximately 5/8" (.62) from the Extended Length for Start-of-Engagement.



# MOUNTING & LENGTH SPECIFICATIONS

Part No.	Part Type	STRUT BODY		END CODE		LENGTHS			Spring (Rate)	Parts Pack(s)
		Type	Length	Body	Rod	Comp.	Ext.	Trav.		
71586†	Strut	B2	12.75"	—	—	13"	20"	7"	—	P00762
71587†	Strut	B2	12.75"	—	—	13"	20"	7"	—	P00762
71588†	Strut	B11	14.88"	—	—	15"	23.38"	8.38"	—	P00762
71589	Strut	B9	14.5"	—	—	15"	23.38"	8.38"	—	P00762
71590†	Strut	B7	8.25"	—	—	8.75"	15.25"	6.5"	—	P00808
71591†	Strut	B7	8.51"	—	—	8.78"	15.22"	6.74"	—	P00808
71592†	Strut	B5	11.56"	—	—	12"	18"	6"	—	None
71593	Strut	B11	16.88"	—	—	17.75"	25"	7.25"	—	P00590
71594	Strut	B11	16.88"	—	—	17.75"	25"	7.25"	—	P00590
71597	Strut	B9	14.25"	—	—	14.5"	21"	6.5"	—	P00762
71598	Strut	B9	14.25"	—	—	14.5"	21"	6.5"	—	P00762
71612†	Strut	B2	15"	—	—	15.5"	24"	8.5"	—	P00762
71613†	Strut	B2	15"	—	—	15.5"	24"	8.5"	—	P00762
71615†	Strut	B4	13.66"	—	—	13.81"	17.94"	4.13"	—	P00590
71638†	Strut	B2	12"	—	—	12.5"	18.88"	6.38"	—	P00839
71639†	Strut	B2	12"	—	—	12.5"	18.88"	6.38"	—	P00839
71642†	Strut	SPEC	13.13"	—	—	13.88"	21.25"	7.38"	—	BE17110307
71648†	Strut	B2	12.56"	—	—	13"	19.13"	6.13"	—	P00762
71649†	Strut	B2	12.56"	—	—	13"	19.13"	6.13"	—	P00762
71650†	Strut	B2	13.13"	—	—	13.63"	21.5"	7.88"	—	P00762
71651†	Strut	B2	13.13"	—	—	13.63"	21.5"	7.88"	—	P00762
71654	Strut	B2	12.38"	—	—	12.88"	18.88"	6"	—	P00762
71655	Strut	B2	12.38"	—	—	12.88"	18.88"	6"	—	P00762
71661†	Strut	B9	9.77"	—	—	10.27"	16.68"	6.41"	—	None
71662†	Strut	B12	15.03"	—	—	15.53"	23.09"	7.56"	—	P01700
71664†	Strut	B5	10.56"	—	—	11"	18.5"	7.5"	—	None
71667†	Strut	B13	10.63"	—	—	11.13"	17.38"	6.25"	—	P01455
71668†	Strut	B13	10.63"	—	—	11.13"	17.38"	6.25"	—	P01455
71669†	Strut	B3	17.41"	—	—	17.9"	26.69"	9"	—	P01456
71678†	Strut	B10	13.38"	—	—	13.88"	20.12"	6.24"	—	None
71679†	Strut	B10	13.38"	—	—	13.88"	20.12"	6.24"	—	None
71680†	Strut	B10	15.81"	—	—	16.31"	24.21"	7.9"	—	None
71681†	Strut	B10	15.81"	—	—	16.31"	24.21"	7.9"	—	None
71685†	Strut	B5	9.63"	—	—	10.13"	16.5"	6.38"	—	None
71686†	Strut	B2	11.63"	—	—	12.13"	20.38"	8.25"	—	None
71687†	Strut	B4	12.62"	—	—	12.95"	18.98"	6.03"	—	P00762
71691†	Strut	B3	13.63"	—	—	16.63"	19.5"	2.88"	—	P00906
71697†	Strut	B3	12.5"	—	—	13"	17.63"	4.63"	—	BE17110417
71699†	Strut	B2	13.88"	—	—	14.38"	20.63"	6.25"	—	BE17110430
71716†	Strut	B1	13.56"	—	—	14"	19.5"	5.5"	—	P00589
71728†	Strut	B1	10.32"	—	—	10.25"	17.4"	7.15"	—	None
71751†	Strut	B10	15.6"	—	—	16.29"	24.25"	7.96"	—	P01524
71760†	Strut	B11	14.5"	—	—	15.38"	22.5"	7.13"	—	None
71771†	Strut	B5	9.97"	—	—	10.3"	16.91"	6.61"	—	None
71798†	Strut	B15	12.95"	—	—	13.8"	21"	7.2"	—	P00853
71800†	Strut	B5	10.38"	—	—	10.88"	17.75"	6.88"	—	P00853
71801†	Strut	SPEC	14.68"	—	—	14.97"	22.49"	7.52"	—	None
71803†	Strut	B1	13.13"	—	—	13.63"	20.13"	6.5"	—	P01453
71808†	Strut	SPEC	17.13"	—	—	17.38"	24.25"	6.88"	—	BE17110394
71814†	Strut	B5	8.88"	—	—	9.38"	16.13"	6.75"	—	None
71822†	Strut	B5	10.84"	—	—	11.47"	18.52"	7.05"	—	None
71828†	Strut	B1	13.13"	—	—	13.63"	20.13"	6.5"	—	P01454
71829†	Strut	B3	11"	—	—	11.13"	15.25"	4.13"	—	P00906
71844†	Strut	B3	12"	—	—	12.13"	16.5"	4.38"	—	P00906
71846†	Strut	B2	14"	—	—	14.5"	22.63"	8.13"	—	P00808
71847†	Strut	B2	14"	—	—	14.5"	22.63"	8.13"	—	P00808
71852†	Strut	B8	12.88"	—	—	13.38"	20.25"	6.88"	—	P00839
71853†	Strut	B9	13.04"	—	—	13.54"	20.47"	6.93"	—	P00986
71854†	Strut	B10	10.34"	—	—	10.84"	17.7"	6.86"	—	P00853
71859†	Strut	B11	12.88"	—	—	13.38"	19.63"	6.25"	—	None
71860†	Strut	B11	12.88"	—	—	13.38"	19.63"	6.25"	—	None

† Bumper Stop Unit. Dimension Shown at Bumper Contact

‡ Hydraulic Lockout Unit. Dimension Shown is Metal-to-Metal, Subtract Approximately 5/8" (.62) from the Extended Length for Start-of-Engagement.

# MOUNTING & LENGTH SPECIFICATIONS

Part No.	Part Type	STRUT BODY		END CODE		LENGTHS			Spring (Rate)	Parts Pack(s)
		Type	Length	Body	Rod	Comp.	Ext.	Trav.		
71871†	Strut	B11	12.88"	—	—	13.38"	19.63"	6.25"	—	None
71872†	Strut	B11	12.88"	—	—	13.38"	19.63"	6.25"	—	None
71873†	Strut	B10	14.38"	—	—	14.88"	23.13"	8.25"	—	None
71874†	Strut	B10	14.38"	—	—	14.88"	23.13"	8.25"	—	None
71893‡	Strut	B17	12"	—	—	12.5"	20"	7.5"	—	P00808
71894‡	Strut	B17	12"	—	—	12.5"	20"	7.5"	—	P00808
71897†	Strut	SPEC	12.38"	—	—	12.75"	16.38"	3.63"	—	P01095
71898†	Strut	B11	12.13"	—	—	12.63"	18.75"	6.13"	—	P00808
71899†	Strut	B11	12.13"	—	—	12.63"	18.75"	6.13"	—	P00808
71900†	Strut	B11	13.75"	—	—	14.25"	20.25"	6"	—	None
71901†	Strut	B11	13.33"	—	—	14.21"	20.22"	6.02"	—	None
71918†	Strut	B2	11.75"	—	—	12.25"	17.88"	5.63"	—	P00839
71920†	Strut	B4	14.63"	—	—	14.75"	21.13"	6.38"	—	P01700
71932†	Strut	B7	8.28"	—	—	8.78"	15.22"	6.4"	—	P00808
71933	Strut	B10	13.5"	—	—	13.88"	20.5"	6.63"	—	P00986
71940	Strut	B9	13.5"	—	—	14.38"	20.88"	6.5"	—	BE17110397
71951†	Strut	B2	12.75"	—	—	13.25"	18.75"	5.5"	—	P00808
71952†	Strut	B2	12.75"	—	—	13.25"	18.75"	5.5"	—	P00808
71953†	Strut	B2	15.13"	—	—	15.5"	22.5"	7"	—	P00808
71954†	Strut	B9	14.93"	—	—	15.43"	22.5"	7.07"	—	P00808
71962†	Strut	B7	12.33"	—	—	12.83"	18.49"	5.66"	—	P00589
71963†	Strut	B7	12.38"	—	—	12.88"	18.5"	5.63"	—	P00589
71964†	Strut	B5	11.97"	—	—	13"	19.55"	6.55"	—	P00590
71966†	Strut	B8	14.25"	—	—	15"	22"	7"	—	None
71968†	Strut	B10	13.63"	—	—	14.38"	20.13"	5.75"	—	None
71969†	Strut	B10	13.63"	—	—	14.38"	20.13"	5.75"	—	None
71972†	Strut	B12	12.02"	—	—	12.43"	19.88"	7.45"	—	None
71973†	Strut	B5	10.88"	—	—	11.38"	17.75"	6.38"	—	None
71993	Strut	B2	11.12"	—	—	11.91"	17.37"	5.46"	—	P01524
71994†	Strut	B2	14.38"	—	—	14.63"	22.75"	8.13"	—	P01524
72101	Strut	B10	15.44"	—	—	15.9"	20.2"	4.3"	—	P01371
72102	Strut	B17	15.44"	—	—	15.9"	20.2"	4.3"	—	P01371
72105	Strut	B10	12.25"	—	—	12.75"	18.75"	6"	—	P00762
72106	Strut	B10	12.25"	—	—	12.75"	18.75"	6"	—	P00762
72111	Strut	B9	12.38"	—	—	12.88"	19.25"	6.38"	—	P00808
72112	Strut	B9	12.38"	—	—	12.88"	19.25"	6.38"	—	P00808
72114†	Strut	B9	12.89"	—	—	13.39"	20.43"	7.04"	—	None
72115†	Strut	B9	12.89"	—	—	13.39"	20.43"	7.04"	—	None
72116	Strut	B11	13.99"	—	—	13.6"	20.64"	7.04"	—	P00808
72117†	Strut	B11	12.97"	—	—	13.47"	20.64"	7.17"	—	P00808
72122	Strut	B4	13.23"	—	—	13.44"	20.08"	6.64"	—	P00590
72123	Strut	B4	12.38"	—	—	12.5"	17.13"	4.63"	—	P00906
72126	Strut	B10	15.38"	—	—	15.75"	22.88"	7.13"	—	P00808
72127	Strut	B10	15.38"	—	—	15.75"	22.88"	7.13"	—	P00808
72130	Strut	B18	12.94"	—	—	13.38"	20.8"	7.42"	—	None
72135	Strut	B17	13.88"	—	—	14.37"	21.5"	7.13"	—	P00762
72136	Strut	B17	13.88"	—	—	14.37"	21.5"	7.13"	—	P00762
72138	Strut	B9	15.59"	—	—	16.09"	21.63"	5.54"	—	P00590
72141	Strut	B9	12.25"	—	—	14.25"	21"	6.75"	—	P00762
72142	Strut	B9	11"	—	—	13"	21"	8"	—	P00762
72143†	Strut	B14	14.72"	—	—	14.53"	21.1"	6.6"	—	P00762
72144†	Strut	B17	13.9"	—	—	14.4"	21.1"	6.7"	—	P00762
72147†	Strut	B9	12.85"	—	—	13.35"	19.11"	5.76"	—	P00762
72148†	Strut	B9	12.85"	—	—	13.35"	19.11"	5.76"	—	P00762
72178	Strut	B9	13.12"	—	—	13.62"	20.71"	7.09"	—	P00808
72179†	Strut	B11	11.05"	—	—	11.55"	17.6"	6.05"	—	P01460
72183†	Strut	B11	13.2"	—	—	13.7"	19.51"	5.81"	—	None
72184†	Strut	B11	13.2"	—	—	13.7"	19.51"	5.81"	—	None
72185†	Strut	B14	13.65"	—	—	13.38"	19.88"	6.5"	—	P00762
72186†	Strut	B14	13.65"	—	—	13.38"	19.88"	6.5"	—	P00762
72191	Strut	B11	13.38"	—	—	14"	20.38"	6.38"	—	P00762

† Bumper Stop Unit. Dimension Shown at Bumper Contact

‡ Hydraulic Lockout Unit. Dimension Shown is Metal-to-Metal, Subtract Approximately 5/8" (.62) from the Extended Length for Start-of-Engagement.

# MOUNTING & LENGTH SPECIFICATIONS

Part No.	Part Type	STRUT BODY		END CODE		LENGTHS			Spring (Rate)	Parts Pack(s)
		Type	Length	Body	Rod	Comp.	Ext.	Trav.		
72192	Strut	B11	13.38"	—	—	14"	20.38"	6.38"	—	P00762
72193	Strut	B11	14.25"	—	—	14.88"	22.25"	7.38"	—	P00762
72194	Strut	B11	14.38"	—	—	14.88"	22.38"	7.5"	—	P00762
72195	Strut	SS4	13.47"	—	—	13.97"	19.09"	5.12"	—	P01523
72199†	Strut	B11	13.27"	—	—	11.55"	17.91"	6.36"	—	P01460
72200	Strut	B11	12.63"	—	—	13.75"	20.5"	6.75"	—	P01460
72205†	Strut	B17	14"	—	—	14.5"	21.75"	7.25"	—	P01418
72206†	Strut	B10	13.5"	—	—	15"	21.75"	6.75"	—	P01418
72207	Strut	B11	15.47"	—	—	15.97"	24.49"	8.52"	—	P00808
72208	Strut	B9	12"	—	—	16.38"	24.5"	8.13"	—	P00808
72209†	Strut	B13	12.38"	—	—	12.87"	20.94"	8.07"	—	P00590
72210†	Strut	B10	14.84"	—	—	12.87"	20.94"	8.07"	—	P00590
72211	Strut	B17	16.08"	—	—	16.95"	23.72"	6.77"	—	P01418
72212	Strut	B17	16.08"	—	—	16.95"	23.72"	6.77"	—	P01418
72213	Strut	B17	17.01"	—	—	17.32"	24.31"	6.99"	—	P00808
72214	Strut	B17	17.01"	—	—	17.32"	24.31"	6.99"	—	P00808
72215	Strut	B9	14.29"	—	—	15.39"	22.91"	7.52"	—	P00808
72216	Strut	B9	14.29"	—	—	15.39"	22.91"	7.52"	—	P00808
72219	Strut	B12	15.22"	—	—	14.97"	21.4"	6.43"	—	P00762
72220	Strut	B12	15.22"	—	—	14.97"	21.4"	6.43"	—	P00762
72221	Strut	B9	15.9"	—	—	15.75"	23.33"	7.58"	—	P00762
72222	Strut	B9	15.9"	—	—	15.75"	23.33"	7.58"	—	P00762
72229	Strut	B9	13.98"	—	—	14.48"	21.69"	7.21"	—	P00762
72230	Strut	B9	13.98"	—	—	14.48"	21.69"	7.21"	—	P00762
72231†	Strut	B13	9.64"	—	—	10.14"	16.68"	6.54"	—	None
72236	Strut	B11	15.8"	—	—	16.54"	23.82"	7.28"	—	P01418
72237	Strut	B10	16"	—	—	16.54"	23.82"	7.28"	—	P01418
72238	Strut	B13	12.88"	—	—	13.38"	19.09"	5.71"	—	P00762
72239	Strut	B13	12.88"	—	—	13.38"	19.09"	5.71"	—	P00762
72240	Strut	B11	13.12"	—	—	13.62"	20.49"	6.87"	—	P00762
72242	Strut	B9	15.21"	—	—	15.71"	21.61"	5.91"	—	P00762
72244	Strut	B3	12.13"	—	—	12.6"	16.58"	3.98"	—	P00906
72245	Strut	B11	14.24"	—	—	14.72"	20.59"	5.87"	—	P00762
72248†	Strut	SS6	19.33"	—	—	19.83"	24.98"	5.15"	—	P01522
72250	Strut	SPEC	18.95"	—	—	19.45"	23.94"	4.49"	—	P00762
72251	Strut	SPEC	18.95"	—	—	19.45"	23.94"	4.49"	—	P00762
72254	Strut	B3	11.84"	—	—	12.34"	17.5"	5.16"	—	P01524
72257†	Strut	B4	14.22"	—	—	13.69"	19.96"	6.27"	—	P00762
72258	Strut	B4	14.22"	—	—	14"	20.13"	6.13"	—	P00762
72261	Strut	B4	13.04"	—	—	13.54"	18.01"	4.47"	—	P01523
72263	Strut	B4	11.75"	—	—	12.25"	18.94"	6.69"	—	P00762
72264	Strut	B4	11.75"	—	—	12.25"	18.94"	6.69"	—	P00762
72265	Strut	B11	14.63"	—	—	15.13"	21"	5.88"	—	BE17110787
72266	Strut	B11	14.63"	—	—	15.13"	21"	5.88"	—	BE17110787
72267†	Strut	B9	14.54"	—	—	15.04"	22.21"	7.17"	—	P00762
72268†	Strut	B9	14.54"	—	—	15.04"	22.21"	7.17"	—	P00762
72271	Strut	B9	13.75"	—	—	14.25"	21.56"	7.31"	—	P00762
72272	Strut	B9	13.75"	—	—	14.25"	21.56"	7.31"	—	P00762
72275	Strut	B11	14.17"	—	—	15.12"	20.98"	5.86"	—	P00808
72276	Strut	B11	14.17"	—	—	15.12"	20.98"	5.86"	—	P00808
72281	Strut	B3	13.72"	—	—	12.91"	16.56"	3.65"	—	P00906
72282	Strut	B11	13.8"	—	—	14.3"	20.15"	5.85"	—	None
72283	Strut	B11	13.8"	—	—	14.3"	20.15"	5.85"	—	None
72284	Strut	B11	9.93"	—	—	10.43"	17.36"	6.93"	—	P00762
72285	Strut	B11	9.93"	—	—	10.43"	17.36"	6.93"	—	P00762
72286	Strut	B11	9.93"	—	—	10.43"	17.36"	6.93"	—	P00762
72287	Strut	B11	9.93"	—	—	10.43"	17.36"	6.93"	—	P00762
72288	Strut	B9	14.95"	—	—	15.45"	21.54"	6.09"	—	P00762
72289	Strut	B9	14.95"	—	—	15.45"	21.54"	6.09"	—	P00762
72290	Strut	B12	12.06"	—	—	12.56"	18.25"	5.69"	—	P00762
72291	Strut	B12	12.06"	—	—	12.56"	18.25"	5.69"	—	P00762

† Bumper Stop Unit. Dimension Shown at Bumper Contact

‡ Hydraulic Lockout Unit. Dimension Shown is Metal-to-Metal, Subtract Approximately 5/8" (.62) from the Extended Length for Start-of-Engagement.

# MOUNTING & LENGTH SPECIFICATIONS

Part No.	Part Type	STRUT BODY		END CODE		LENGTHS			Spring (Rate)	Parts Pack(s)
		Type	Length	Body	Rod	Comp.	Ext.	Trav.		
72292	Strut	SS4	14.81"	—	—	15.44"	21.63"	6.19"	—	P01746
72293	Strut	SS2	16.13"	—	—	16.56"	19.5"	2.94"	—	P01611
72294	Strut	SS3	13.13"	—	—	13.52"	19.36"	5.84"	—	P01611
72295†	Strut	B11	13.11"	—	—	13.39"	20.12"	6.73"	—	P00808
72296†	Strut	B11	13.11"	—	—	13.39"	20.12"	6.73"	—	P00808
72297	Strut	B10	12.44"	—	—	12.94"	19.25"	6.31"	—	P00762
72298	Strut	B10	12.44"	—	—	12.94"	19.25"	6.31"	—	P00762
72303	Strut	B9	13.81"	—	—	14.31"	22.25"	7.94"	—	P00762
72304	Strut	B9	10.79"	—	—	13.03"	19.4"	6.38"	—	P00762
72305	Strut	B10	12.75"	—	—	13.19"	19.81"	6.63"	—	P00762
72306	Strut	B10	12.69"	—	—	13.19"	19.81"	6.63"	—	P762
72307†	Strut	B2	14.07"	—	—	14.57"	21.5"	6.93"	—	P01418
72308†	Strut	B2	14.07"	—	—	14.57"	21.5"	6.93"	—	P01418
72309	Strut	B2	15.5"	—	—	16"	24.06"	8.06"	—	P00808
72310	Strut	B2	15.5"	—	—	16"	24.06"	8.06"	—	P00808
72311	Strut	B4	14.88"	—	—	15.38"	21.75"	6.38"	—	BE17110546
72312	Strut	B5	14.88"	—	—	15.38"	21.75"	6.38"	—	BE17110753
72313	Strut	B4	9.06"	—	—	9.5"	14.06"	4.56"	—	P00838
72314	Strut	B10	9"	—	—	9.5"	14.06"	4.56"	—	P00838
72315	Strut	B4	11.69"	—	—	12.25"	18.69"	6.44"	—	P00762
72316	Strut	B5	11.69"	—	—	12.19"	18.69"	6.5"	—	P00762
72317	Strut	B11	15"	—	—	15.63"	22.13"	6.5"	—	P00762
72318	Strut	B11	15"	—	—	15.63"	22.13"	6.5"	—	P00762
72319	Strut	B11	14.88"	—	—	15.38"	23.69"	8.31"	—	P00762
72320	Strut	B11	14.88"	—	—	15.38"	23.69"	8.31"	—	P00762
72321	Strut	B9	12.94"	—	—	13.44"	16.69"	3.25"	—	None
72322	Strut	B4	11.75"	—	—	12.31"	16.69"	4.38"	—	P00906
72324	Strut	SS2	16.56"	—	—	17.19"	24.75"	7.56"	—	P00906
72327	Strut	B9	13.56"	—	—	14.06"	19.5"	5.44"	—	P01371
72328	Strut	B9	13.56"	—	—	14.06"	19.5"	5.44"	—	P01371
72336	Strut	B2	12.56"	—	—	13.06"	19.81"	6.75"	—	None
72337	Strut	B11	12.5"	—	—	13.06"	19.81"	6.75"	—	None
72341	Strut	SS2	17.69"	—	—	18.19"	21.88"	3.69"	—	None
72342	Strut	SS2	16.44"	—	—	16.94"	21.63"	4.69"	—	None
72343	Strut	B9	16.77"	—	—	14.94"	21.25"	6.31"	—	None
72344	Strut	B9	14.44"	—	—	14.94"	21.25"	6.31"	—	None
72347	Strut	B9	14.13"	—	—	14.63"	21.56"	6.94"	—	None
72348	Strut	B9	14.13"	—	—	14.63"	21.56"	6.94"	—	None
72351	Strut	B9	14.38"	—	—	14.88"	18.94"	4.06"	—	None
72352	Strut	B11	14.38"	—	—	14.88"	18.94"	4.06"	—	None
72355	Strut	B9	13.81"	—	—	14.31"	21.56"	7.25"	—	None
72356	Strut	B11	13.81"	—	—	14.31"	21.56"	7.25"	—	None
72357	Strut	B11	13.44"	—	—	13.94"	20.5"	6.56"	—	P01418
72358	Strut	B11	13.5"	—	—	14"	20.5"	6.5"	—	P01418
72362	Strut	SS4	14.44"	—	—	14.94"	19.06"	4.13"	—	P01607
72367†	Strut	B12	13.04"	—	—	13.54"	20.08"	6.54"	—	None
72368	Strut	B12	13.04"	—	—	13.54"	20.08"	6.54"	—	None
72378†	Strut	B9	12.6"	—	—	13.1"	19.8"	6.7"	—	P00762
72379†	Strut	B11	12.6"	—	—	13.1"	19.8"	6.7"	—	P00762
72382	Strut	B9	17.44"	—	—	17.94"	24.94"	7"	—	None
72383	Strut	B9	17.44"	—	—	17.94"	24.94"	7"	—	None
72384	Strut	B11	15.94"	—	—	16.44"	22.06"	5.63"	—	P00808
72385	Strut	B10	15.56"	—	—	16.06"	22.06"	6"	—	P00808
72390	Strut	B10	12.75"	—	—	13.25"	20.59"	7.34"	—	P01418
72391	Strut	B10	12.75"	—	—	13.25"	20.59"	7.34"	—	P01418
72392	Strut	B9	13.13"	—	—	13.63"	17.43"	3.8"	—	None
72393	Strut	B9	13.13"	—	—	13.63"	17.43"	3.8"	—	None
72394	Strut	SS2	12.06"	—	—	12.56"	18.82"	6.26"	—	None
72397	Strut	SS2	12.13"	—	—	12.63"	19.56"	6.94"	—	None
72398	Strut	SS1	12.06"	—	—	12.56"	18.31"	5.75"	—	None
72399	Strut	SS1	11.5"	—	—	12"	17.44"	5.44"	—	None

† Bumper Stop Unit. Dimension Shown at Bumper Contact

‡ Hydraulic Lockout Unit. Dimension Shown is Metal-to-Metal, Subtract Approximately 5/8" (.62) from the Extended Length for Start-of-Engagement.

# MOUNTING & LENGTH SPECIFICATIONS

Part No.	Part Type	STRUT BODY		END CODE		LENGTHS			Spring (Rate)	Parts Pack(s)
		Type	Length	Body	Rod	Comp.	Ext.	Trav.		
72400	Strut	SS2	10.69"	—	—	11.19"	13.25"	2.06"	—	None
72401	Strut	SS2	11.74"	—	—	12.44"	18.98"	6.54"	—	P00906
72408	Strut	SS4	19.33"	—	—	19.83"	24.98"	5.15"	—	P01522
72414	Strut	B9	15.88"	—	—	16.38"	23.88"	7.5"	—	None
72415	Strut	B9	15.88"	—	—	16.38"	23.88"	7.5"	—	None
72418	Strut	B9	15.19"	—	—	15.69"	22.88"	7.19"	—	P00762
72423	Strut	B9	15.19"	—	—	15.69"	22.75"	7.06"	—	None
72424	Strut	B9	15.06"	—	—	15.56"	22.75"	7.19"	—	None
72429	Strut	B11	16.38"	—	—	16.88"	21.94"	5.06"	—	None
72430	Strut	B11	16.44"	—	—	16.94"	21.94"	5"	—	None
72431	Strut	B9	13.81"	—	—	14.31"	21.31"	7"	—	None
72432	Strut	B9	13.79"	—	—	14.29"	21.29"	7"	—	None
72433	Strut	B18	14.69"	—	—	15.19"	20.13"	4.94"	—	None
72434	Strut	B18	14.7"	—	—	15.2"	20.16"	4.95"	—	None
72437	Strut	B11	15.25"	—	—	15.75"	20.94"	5.19"	—	None
72438	Strut	B11	15.25"	—	—	15.75"	20.94"	5.19"	—	None
72439	Strut	B9	14.19"	—	—	14.63"	20.69"	6.06"	—	None
72440	Strut	B9	14.13"	—	—	14.63"	20.69"	6.06"	—	None
72441	Strut	B9	15"	—	—	15.5"	21.56"	6.06"	—	None
72442	Strut	B9	15"	—	—	15.5"	21.56"	6.06"	—	None
72443	Strut	B9	16.06"	—	—	16.56"	23.38"	6.81"	—	None
72444	Strut	B11	16.05"	—	—	16.64"	25.36"	8.72"	—	None
72445	Strut	B9	17.44"	—	—	17.94"	25.31"	7.38"	—	None
72446	Strut	B9	17.44"	—	—	17.94"	25.31"	7.38"	—	None
72448	Strut	B9	13.55"	—	—	13.84"	20.47"	6.63"	—	None
72449	Strut	B9	13.55"	—	—	13.84"	20.47"	6.63"	—	None
72450	Strut	B1	14.47"	—	—	14.97"	22.36"	7.39"	—	None
72451	Strut	B1	14.47"	—	—	14.97"	22.36"	7.39"	—	None
72455	Strut	B11	15.84"	—	—	16.34"	24.28"	7.94"	—	None
72456	Strut	B11	15.84"	—	—	16.34"	24.28"	7.94"	—	None
72457	Strut	B10	13.16"	—	—	13.66"	20.22"	6.56"	—	None
72458	Strut	B10	13.16"	—	—	13.66"	20.22"	6.56"	—	None
72468	Strut	B11	13.33"	—	—	13.83"	19.17"	5.34"	—	None
72469	Strut	B11	13.38"	—	—	13.88"	19.19"	5.31"	—	None
72471	Strut	B12	15.06"	—	—	15.56"	23.13"	7.56"	—	P01700
72476	Strut	SPEC	20.79"	—	—	21.38"	26.3"	4.92"	—	P01363
72477	Strut	SPEC	20.79"	—	—	21.38"	26.3"	4.92"	—	P01363
72478	Strut	SS2	14.25"	—	—	15.43"	21.3"	5.87"	—	P01363
72479	Strut	B9	12.99"	—	—	14.33"	20.43"	6.1"	—	BE17110589
72480	Strut	B4	10.98"	—	—	11.02"	16.46"	5.44"	—	BE17110613
72481	Strut	B4	10.98"	—	—	11.02"	16.46"	5.44"	—	BE17110613
72482	Strut	SS2	11.5"	—	—	11.61"	16.42"	4.81"	—	BE17110715
72483	Strut	B10	16.61"	—	—	17.15"	23.76"	6.61"	—	P01418
72484	Strut	B10	16.61"	—	—	17.15"	23.76"	6.61"	—	P01418
72485†	Strut	B14	18.74"	—	—	18.96"	26.34"	7.38"	—	P00808
72486†	Strut	B14	18.74"	—	—	18.96"	26.34"	7.38"	—	P00808
72489†	Strut	B14	12.36"	—	—	17.42"	24.55"	7.13"	—	P00808
72490†	Strut	B14	12.36"	—	—	17.42"	24.55"	7.13"	—	P00808
72491	Strut	B11	11.67"	—	—	12.16"	20.55"	8.39"	—	None
72492	Strut	B11	11.67"	—	—	12.16"	20.55"	8.39"	—	None
72493	Strut	B9	16.68"	—	—	17.2"	25.72"	8.52"	—	P01371
72494	Strut	B9	16.68"	—	—	17.2"	25.72"	8.52"	—	P01371
72495	Strut	SS2	10.52"	—	—	11.02"	15.55"	4.53"	—	P00906
72496	Strut	SS2	13.39"	—	—	13.89"	21.34"	7.45"	—	P00906
72497	Strut	SS2	10.52"	—	—	11.02"	15.55"	4.53"	—	P00906
72501	Strut	SS2	10.44"	—	—	10.94"	16.3"	5.36"	—	None
72504	Strut	B11	13.81"	—	—	14.31"	21.56"	7.25"	—	None
72505	Strut	B11	13.81"	—	—	14.31"	21.56"	7.25"	—	None
72506	Strut	SS4	17.61"	—	—	18.11"	21.68"	3.57"	—	None
72507	Strut	SS4	17.61"	—	—	18.11"	21.68"	3.57"	—	None
72508	Strut	SS2	11.47"	—	—	11.97"	17.4"	5.43"	—	None

† Bumper Stop Unit. Dimension Shown at Bumper Contact

‡ Hydraulic Lockout Unit. Dimension Shown is Metal-to-Metal, Subtract Approximately 5/8" (.62) from the Extended Length for Start-of-Engagement.



# MOUNTING & LENGTH SPECIFICATIONS

Part No.	Part Type	STRUT BODY		END CODE		LENGTHS			Spring (Rate)	Parts Pack(s)
		Type	Length	Body	Rod	Comp.	Ext.	Trav.		
72509	Strut	B11	11.96"	—	—	12.46"	18.81"	6.35"	—	P00762
72510	Strut	B11	11.96"	—	—	12.46"	18.81"	6.35"	—	P00762
72511	Strut	SS2	13.56"	—	—	14.01"	21.41"	7.4"	—	P00906
72517	Strut	SS4	12.94"	—	—	13.44"	18.39"	4.95"	—	P01630, P01650
72518†	Strut	B9	10.77"	—	—	11.27"	19.12"	7.85"	—	None
72522	Strut	B1	11.39"	—	—	11.89"	18.33"	6.44"	—	P00762
72523	Strut	B1	11.39"	—	—	11.89"	18.33"	6.44"	—	P00762
72524†	Strut	B14	12.59"	—	—	13.39"	20.04"	6.65"	—	P00762
72525†	Strut	B14	12.59"	—	—	13.39"	20.04"	6.65"	—	P00762
72526†	Strut	B9	13.02"	—	—	13.52"	21.03"	7.51"	—	P00590
72527†	Strut	B10	13.02"	—	—	13.52"	21.03"	7.51"	—	P00590
72528†	Strut	B18	13.22"	—	—	13.72"	19.51"	5.79"	—	None
72529	Strut	B18	13.22"	—	—	13.72"	19.51"	5.79"	—	None
72532†	Strut	B4	14.35"	—	—	12.1"	19.22"	7.12"	—	P00590
72533†	Strut	B4	13.95"	—	—	14.45"	21.81"	7.36"	—	P00590
72534†	Strut	B4	11.45"	—	—	11.95"	19.22"	7.27"	—	P01697
72535†	Strut	B4	11.45"	—	—	11.95"	19.22"	7.27"	—	P01697
72536†	Strut	B11	14.29"	—	—	14.79"	22.18"	7.39"	—	P00762
72537†	Strut	B11	14.29"	—	—	14.79"	22.18"	7.39"	—	P00762
72538†	Strut	SS1	11.38"	—	—	11.88"	18.57"	6.69"	—	P01684
72539†	Strut	SPEC	12.08"	—	—	12.58"	18.12"	5.54"	—	P01685
72540†	Strut	B11	15.11"	—	—	15.61"	22.13"	6.52"	—	P00590
72541†	Strut	B11	13.37"	—	—	13.87"	22.44"	8.57"	—	P00762
72542†	Strut	B11	13.37"	—	—	13.87"	22.44"	8.57"	—	P00762
72544†	Strut	B11	12.89"	—	—	13.39"	20.03"	6.64"	—	P00762
72545†	Strut	B11	12.89"	—	—	13.39"	20.03"	6.64"	—	P00762
72546	Strut	SPEC	26.41"	—	—	26.91"	30.69"	3.78"	—	P01748
72547	Strut	B4	11.98"	—	—	12.48"	19.21"	6.73"	—	P01418
72548	Strut	B4	12.17"	—	—	12.48"	19.21"	6.73"	—	P01418
72549†	Strut	B3	14.37"	—	—	15.39"	21.77"	6.38"	—	BE17110753
72560†	Strut	B9	13.35"	—	—	13.85"	20.67"	6.82"	—	P00762
72561†	Strut	B9	13.35"	—	—	13.85"	20.67"	6.82"	—	P00762
72562†	Strut	B4	9.49"	—	—	9.99"	15.35"	5.36"	—	P00906
72563	Strut	B4	11.02"	—	—	11.52"	16.35"	4.83"	—	P00762, P00906
72565	Strut	B9	12.97"	—	—	13.47"	19.88"	6.41"	—	None
72566	Strut	B9	12.97"	—	—	13.47"	19.88"	6.41"	—	None
72567	Strut	SS2	9.98"	—	—	10.48"	16.26"	5.78"	—	None
72568†	Strut	B4	13.04"	—	—	13.54"	19.07"	5.53"	—	P01523
72569	Strut	B4	13.04"	—	—	13.54"	19.07"	5.53"	—	P01523
72576†	Strut	B4	11.44"	—	—	11.94"	18.1"	6.16"	—	P00590
72577†	Strut	B4	11.44"	—	—	11.94"	18.1"	6.16"	—	P00590
72585†	Strut	B11	13.31"	—	—	13.81"	20.76"	6.95"	—	P00762
72586†	Strut	B11	13.31"	—	—	13.81"	20.76"	6.95"	—	P00762
72587	Strut	B11	13.37"	—	—	13.66"	20.66"	7"	—	P00762
72588	Strut	B11	13.37"	—	—	13.66"	20.66"	7"	—	P00762
72589	Strut	B11	10.3"	—	—	10.8"	17.31"	6.51"	—	None
72591	Strut	B11	11.72"	—	—	12.22"	18.74"	6.52"	—	None
72595†	Strut	SPEC	12.37"	—	—	12.87"	19.28"	6.41"	—	P01685
72596	Strut	B3	13.04"	—	—	13.54"	18.01"	4.47"	—	P01523
72597	Strut	B11	12.89"	—	—	13.39"	20.57"	7.18"	—	P01418
72598	Strut	B11	12.89"	—	—	13.39"	20.57"	7.18"	—	P01418
72599	Strut	SS2	11.73"	—	—	12.23"	16.62"	4.39"	—	P00839
72604	Strut	B10	13.28"	—	—	13.51"	20.08"	6.48"	—	None
72605	Strut	B10	13.28"	—	—	13.51"	20.08"	6.57"	—	None
72606	Strut	B11	15.9"	—	—	16.25"	20.96"	4.71"	—	None
72607	Strut	B11	15.9"	—	—	16.25"	20.96"	4.71"	—	None
72608	Strut	B9	15.16"	—	—	15.44"	24.11"	8.67"	—	P00839
72609	Strut	B11	15.18"	—	—	15.44"	24.18"	8.74"	—	P00839
72618	Strut	B4	11.86"	—	—	12.36"	18.58"	6.22"	—	P00762
72619	Strut	B4	11.86"	—	—	12.36"	18.58"	6.22"	—	P00762
72620	Strut	B11	11.3"	—	—	11.8"	22.95"	11.15"	—	P00590

† Bumper Stop Unit. Dimension Shown at Bumper Contact

‡ Hydraulic Lockout Unit. Dimension Shown is Metal-to-Metal, Subtract Approximately 5/8" (.62) from the Extended Length for Start-of-Engagement.

# MOUNTING & LENGTH SPECIFICATIONS

Part No.	Part Type	STRUT BODY		END CODE		LENGTHS			Spring (Rate)	Parts Pack(s)
		Type	Length	Body	Rod	Comp.	Ext.	Trav.		
72621	Strut	B11	11.3"	—	—	11.8"	22.95"	11.15"	—	P00590
72622†	Strut	B11	12.77"	—	—	13.78"	19.69"	5.91"	—	P00839
72623†	Strut	B11	12.77"	—	—	13.78"	19.69"	5.91"	—	P00839
72626	Strut	B11	14.69"	—	—	15.19"	24.6"	9.41"	—	P01742
72627	Strut	B11	14.69"	—	—	15.19"	24.6"	9.41"	—	P01742
72628	Strut	SS2	14.69"	—	—	15.39"	22.44"	7.05"	—	P00838
72629	Strut	B2	11.64"	—	—	12.14"	17.85"	5.71"	—	None
72630	Strut	B2	11.64"	—	—	12.14"	18.85"	6.71"	—	None
72631	Strut	B2	10.75"	—	—	11.25"	17.38"	6.13"	—	None
72632	Strut	B2	10.75"	—	—	11.25"	17.38"	6.13"	—	None
72635	Strut	B3	14.54"	—	—	15.04"	19.29"	4.25"	—	P00808
72638†	Strut	B11	13.52"	—	—	14.02"	20.72"	6.7"	—	P00762
72639†	Strut	B10	16.38"	—	—	13.03"	18.49"	5.46"	—	P00762
72641	Strut	B4	13.72"	—	—	11.28"	17.4"	6.12"	—	P00762
72642	Strut	B4	13"	—	—	13.49"	20.77"	7.28"	—	P00762
72647†	Strut	B19	17.87"	—	—	17.6"	24.67"	7.07"	—	P00762
72648†	Strut	B19	17.87"	—	—	17.6"	24.67"	7.07"	—	P00762
72651†	Strut	SS7	16.21"	—	—	16.47"	20.89"	4.42"	—	P01388,P01726
72652†	Strut	SS7	17.03"	—	—	17.18"	21.63"	4.45"	—	P01388,P01726
72653	Strut	B11	13.8"	—	—	14.3"	21.18"	6.88"	—	P01697
72654	Strut	B11	13.8"	—	—	14.3"	21.18"	6.88"	—	P01697
72655†	Strut	B11	14.59"	—	—	15.09"	21.69"	6.6"	—	P00590
72656	Strut	B11	14.59"	—	—	15.09"	21.69"	6.6"	—	P00590
72663	Strut	B11	14.83"	—	—	15.33"	24.6"	9.27"	—	P01742
72664	Strut	B11	14.83"	—	—	15.33"	24.6"	9.27"	—	P01742
72665†	Strut	SS4	19.53"	—	—	20.36"	25.5"	5.14"	—	P01522
72668	Strut	B9	13.63"	—	—	14.13"	20.35"	6.22"	—	P00762
72669	Strut	B9	13.63"	—	—	14.13"	20.35"	6.22"	—	P00762
72670	Strut	B11	8.95"	—	—	13.28"	19.43"	6.15"	—	None
72671	Strut	B11	8.95"	—	—	13.28"	19.43"	6.15"	—	None
72678	Strut	B18	15.04"	—	—	15.43"	21.3"	5.87"	—	None
72679	Strut	B18	15.04"	—	—	15.43"	21.3"	5.87"	—	None
72680	Strut	B18	13"	—	—	13.42"	19.76"	6.3"	—	None
72681	Strut	B18	13"	—	—	13.42"	19.76"	6.3"	—	None
72682	Strut	B17	12.94"	—	—	13.44"	19.37"	5.93"	—	P00808
72683	Strut	B10	12.94"	—	—	13.44"	19.37"	5.93"	—	P00808
72684	Strut	B18	14.31"	—	—	14.76"	20.83"	6.07"	—	None
72685	Strut	B18	14.31"	—	—	14.76"	20.83"	6.07"	—	None
72686	Strut	B18	16.74"	—	—	17.2"	22.6"	5.4"	—	None
72687	Strut	B18	16.74"	—	—	17.2"	22.6"	5.4"	—	None
72688	Strut	B17	13.53"	—	—	13.5"	19.6"	6.1"	—	None
72689	Strut	B17	13.53"	—	—	13.5"	19.6"	6.1"	—	None
72690	Strut	SS2	10.71"	—	—	11.34"	16.65"	5.31"	—	None
72691	Strut	SS2	13.05"	—	—	14.75"	19"	4.25"	—	None
72692	Strut	SS4	15.79"	—	—	16.38"	23.07"	6.69"	—	None
72695	Strut	SS2	12.6"	—	—	13.22"	18.9"	5.68"	—	None
72696	Strut	SS2	10.55"	—	—	11.14"	17"	5.86"	—	None
72699	Strut	SS4	14.04"	—	—	14.54"	19.84"	5.3"	—	P00906
72702	Strut	B4	12.33"	—	—	12.83"	17.48"	4.65"	—	P00762
72703	Strut	B4	12.33"	—	—	12.83"	17.48"	4.65"	—	P00762
72706	Strut	B11	12.85"	—	—	13.35"	19.57"	6.22"	—	P00762
72707	Strut	B11	12.85"	—	—	13.35"	19.57"	6.22"	—	P00762
72708	Strut	B11	13.28"	—	—	13.55"	19.07"	5.52"	—	P00762
72709	Strut	B11	13.28"	—	—	13.55"	19.07"	5.52"	—	P00762
72720	Strut	B11	13.7"	—	—	14.2"	20.27"	6.07"	—	P00762
72721	Strut	B11	13.7"	—	—	14.2"	20.27"	6.07"	—	P00762
72722	Strut	B11	13.99"	—	—	14.49"	21.5"	7.02"	—	P00762
72723	Strut	B11	13.99"	—	—	14.49"	21.5"	7.02"	—	P00762
72729†	Strut	B11	16.17"	—	—	11.8"	22.87"	11.07"	—	P00590
72730	Strut	B11	16.02"	—	—	11.8"	22.87"	11"	—	P00590
72731	Strut	B3	9.45"	—	—	9.65"	16.81"	7.16"	—	P01371

† Bumper Stop Unit. Dimension Shown at Bumper Contact

‡ Hydraulic Lockout Unit. Dimension Shown is Metal-to-Metal, Subtract Approximately 5/8" (.62) from the Extended Length for Start-of-Engagement.

# MOUNTING & LENGTH SPECIFICATIONS

Part No.	Part Type	STRUT BODY		END CODE		LENGTHS			Spring (Rate)	Parts Pack(s)
		Type	Length	Body	Rod	Comp.	Ext.	Trav.		
72732	Strut	B3	9.45"	—	—	9.65"	16.81"	7.16"	—	P01371
72733†	Strut	B3	9.45"	—	—	9.65"	16.34"	6.69"	—	P01371
72734†	Strut	B3	9.45"	—	—	9.65"	16.34"	6.69"	—	P01371
72737	Strut	B10	13.7"	—	—	13.5"	20.34"	6.84"	—	P00762
72738	Strut	B10	13.7"	—	—	13.5"	20.34"	6.84"	—	P00762
72739	Strut	B12	14.02"	—	—	14.5"	21.5"	6.98"	—	P01418
72740	Strut	B12	14.02"	—	—	14.5"	21.5"	6.98"	—	P01418
72741†	Strut	B9	15.54"	—	—	16.04"	24.19"	8.15"	—	P00808
72742†	Strut	B9	15.54"	—	—	16.04"	24.19"	8.15"	—	P00808
72743	Strut	B4	10.69"	—	—	11.19"	17.22"	6.03"	—	P00762
72744	Strut	B4	10.69"	—	—	17.2"	18.01"	6.82"	—	P00762
72748	Strut	B4	11.86"	—	—	12.36"	19.37"	7.01"	—	P00762
72749	Strut	B4	11.86"	—	—	12.36"	19.37"	7.01"	—	P00762
72750	Strut	B4	11.86"	—	—	12.36"	19.37"	7.01"	—	P00762
72751	Strut	B4	11.86"	—	—	12.36"	19.37"	7.01"	—	P00762
72752	Strut	B4	11.86"	—	—	12.36"	19.37"	7.01"	—	P00762
72753	Strut	B4	11.86"	—	—	12.36"	19.37"	7.01"	—	P00762
72755†	Strut	B4	9.33"	—	—	9.53"	15.75"	6.22"	—	P00838
72756†	Strut	B4	9.33"	—	—	9.53"	15.75"	6.22"	—	P00838
72761	Strut	B4	11.76"	—	—	11.95"	19.22"	7.27"	—	P00590,P01717
72762	Strut	SS4	15.38"	—	—	15.88"	23.07"	7.19"	—	P00590,P01717
72765	Strut	B9	15.76"	—	—	16.26"	22.44"	6.18"	—	None
72766	Strut	B9	15.76"	—	—	16.26"	22.44"	6.18"	—	None
72770	Strut	B4	14.93"	—	—	15.43"	17.85"	2.42"	—	None
72771	Strut	B4	14.93"	—	—	15.43"	17.85"	2.42"	—	None
72772	Strut	B11	14.91"	—	—	15.41"	22.81"	7.4"	—	None
72773	Strut	B11	14.91"	—	—	15.41"	22.81"	7.4"	—	None
72774	Strut	B4	10.69"	—	—	11.19"	17.89"	6.7"	—	P00762
72775†	Strut	B4	10.69"	—	—	11.19"	17.89"	6.7"	—	P00762
72778†	Strut	B9	10.52"	—	—	11.02"	17.68"	6.66"	—	P00762
72779†	Strut	B9	10.52"	—	—	11.02"	17.68"	6.66"	—	P00762
72780	Strut	B11	16.28"	—	—	12.35"	16.81"	4.46"	—	P00762
72781	Strut	B10	16.6"	—	—	16.31"	23.8"	7.49"	—	P01418
72782	Strut	B10	16.6"	—	—	16.31"	23.8"	7.49"	—	P01418
72785†	Strut	B11	10.2"	—	—	11.02"	17.48"	6.46"	—	P00762
72786†	Strut	B18	10.2"	—	—	11.02"	17.48"	6.46"	—	P00762
72787	Strut	B4	9.48"	—	—	9.98"	17.43"	7.45"	—	P00762
72788	Strut	B4	9.48"	—	—	9.98"	17.43"	7.45"	—	P00762
72789	Strut	B11	13.5"	—	—	14"	19.51"	15.51"	—	P00808
72790	Strut	B9	13.89"	—	—	14.39"	19.51"	5.12"	—	P00808
72826†	Strut Cartridge	T2	12.56"	—	—	13.35"	19.78"	6.44"	—	None
72888†	Strut	B18	16.52"	—	—	17.02"	24.13"	7.11"	—	P00590
72889†	Strut	B9	16.52"	—	—	17.02"	24.13"	7.11"	—	P00590
72894	Strut	SS2	11.83"	—	—	12.33"	19.11"	6.78"	—	P00906
72895†	Strut	SS2	13.37"	—	—	13.87"	21.45"	7.58"	—	P00906
72896	Strut	SS2	11.83"	—	—	12.33"	19.11"	6.78"	—	P00906
72897	Strut	B11	15.77"	—	—	16.27"	22.03"	7.58"	—	P00839
72898	Strut	B11	15.77"	—	—	16.27"	22.03"	7.58"	—	P00839
72899†	Strut	B3	12.36"	—	—	12.86"	16.93"	4.07"	—	P01524
72900†	Strut	SS2	15.71"	—	—	16.21"	20.06"	3.84"	—	P01726
72901	Strut	B11	13.08"	—	—	13.58"	18.11"	4.53"	—	P00762
72902	Strut	B11	13.08"	—	—	13.58"	18.11"	4.53"	—	P00762
72903	Strut	B11	9.64"	—	—	10.14"	16.68"	6.41"	—	P00590
72907†	Strut	B3	10.8"	—	—	11.2"	17.9"	6.7"	—	P00762
72908†	Strut	B3	10.8"	—	—	11.2"	17.9"	6.7"	—	P00762
72909	Strut	B12	11.76"	—	—	12.26"	19.05"	6.79"	—	P00808
72910	Strut	B9	13.22"	—	—	13.72"	19.89"	6.17"	—	P01742
72911	Strut	B9	13.22"	—	—	13.72"	19.89"	6.17"	—	P01742
72912	Strut	B11	12.53"	—	—	13.03"	19.41"	6.38"	—	P00808
72913	Strut	B11	12.53"	—	—	13.03"	19.41"	6.38"	—	P00808
72914	Strut	B11	12.53"	—	—	13.03"	19.41"	6.38"	—	P00808

† Bumper Stop Unit. Dimension Shown at Bumper Contact

‡ Hydraulic Lockout Unit. Dimension Shown is Metal-to-Metal, Subtract Approximately 5/8" (.62) from the Extended Length for Start-of-Engagement.

# MOUNTING & LENGTH SPECIFICATIONS

Part No.	Part Type	STRUT BODY		END CODE		LENGTHS			Spring (Rate)	Parts Pack(s)
		Type	Length	Body	Rod	Comp.	Ext.	Trav.		
72915	Strut	B11	12.53"	—	—	13.03"	19.41"	6.38"	—	P00808
72916	Strut	B4	15.56"	—	—	16.06"	21.5"	5.44"	—	None
72917	Strut	B10	15.07"	—	—	15.48"	23.46"	7.98"	—	None
72918	Strut	B10	15.07"	—	—	15.48"	23.46"	7.98"	—	None
72919†	Strut	SS2	12.42"	—	—	14.56"	19.37"	4.81"	—	P01431
72920†	Strut	B18	16.52"	—	—	17.02"	25.33"	8.31"	—	P00590
72921†	Strut	B18	16.58"	—	—	17.02"	25.33"	8.31"	—	P00590
72922†	Strut	B4	12.31"	—	—	12.81"	16.68"	3.87"	—	None
72923	Strut	B3	10.81"	—	—	11.31"	17.43"	6.12"	—	P00762
72924	Strut	B4	10.81"	—	—	11.31"	17.44"	6.13"	—	P00762
72925†	Strut	B11	10.59"	—	—	11.09"	19.98"	8.89"	—	P00762
72926†	Strut	B11	10.59"	—	—	11.09"	19.98"	8.89"	—	P00762
72927	Strut	B5	13.7"	—	—	11.09"	15.94"	4.85"	—	P00762
72928	Strut	B5	13.7"	—	—	11.09"	15.94"	4.85"	—	P00762
72929†	Strut	B10	14.44"	—	—	14.04"	21.15"	7.11"	—	P01700
72930	Strut	B3	10.35"	—	—	10.85"	18.39"	7.54"	—	P00762
72931	Strut	B3	10.35"	—	—	10.85"	18.39"	7.54"	—	P00762
72932	Strut	B3	9.13"	—	—	9.63"	17.63"	8"	—	P00762
72933	Strut	B3	9.13"	—	—	9.63"	17.63"	8"	—	P00762
72934	Strut	B11	14.12"	—	—	15.17"	19.74"	4.57"	—	P01742
72935	Strut	B11	13.58"	—	—	14.93"	19.51"	4.58"	—	P01742
72936	Strut	B11	16.62"	—	—	16.28"	21.54"	5.26"	—	P00762
72937	Strut	B11	16.62"	—	—	16.28"	21.54"	5.26"	—	P00762
72938†	Strut	B9	14.07"	—	—	13.56"	21.19"	7.63"	—	P00762
72939†	Strut	B9	14.07"	—	—	13.56"	21.19"	7.63"	—	P00762
72940†	Strut	B10	14.53"	—	—	14.57"	21.46"	6.96"	—	P01418
72941†	Strut	B10	14.53"	—	—	14.57"	21.46"	6.96"	—	P01418
72942†	Strut	B9	16.7"	—	—	16.01"	23.97"	7.96"	—	P00808
72943†	Strut	B9	16.7"	—	—	16.01"	23.97"	7.96"	—	P00808
72944	Strut	B3	16.1"	—	—	16.25"	20.79"	4.54"	—	P00838
72945	Strut	B4	10.76"	—	—	12.22"	18.91"	6.69"	—	None
72946	Strut	B4	10.76"	—	—	12.22"	18.91"	6.69"	—	None
72947	Strut	B10	13.39"	—	—	13.82"	17.48"	3.66"	—	P00762
72948	Strut	B10	13.39"	—	—	13.82"	17.48"	3.66"	—	P00762
72949	Strut	B11	15.33"	—	—	11.23"	17.66"	6.43"	—	None
72950	Strut	B10	16"	—	—	13.44"	17.57"	4.13"	—	None
72951	Strut	B10	16"	—	—	13.44"	17.57"	4.13"	—	None
72952	Strut	SS2	11.95"	—	—	13.01"	17.31"	4.3"	—	P00906
72955	Strut	B11	16.62"	—	—	16.28"	20.95"	4.67"	—	P00762
72956	Strut	B11	16.62"	—	—	16.28"	20.95"	4.67"	—	P00762
72957†	Strut	SS2	11.08"	—	—	12.41"	16.83"	4.42"	—	P00906
72960†	Strut	B11	13.23"	—	—	13.43"	18.06"	4.63"	—	P00762
72961†	Strut	B11	13.23"	—	—	13.43"	18.06"	4.63"	—	P00762
72962†	Strut	B11	16.59"	—	—	15.96"	23.28"	7.32"	—	P01418
72963†	Strut	B11	16.59"	—	—	15.96"	23.28"	7.32"	—	P01418
72968	Strut	B11	14.52"	—	—	15.02"	21.35"	6.33"	—	P00762
72969	Strut	B11	14.52"	—	—	15.02"	21.35"	6.33"	—	P00762
72970†	Strut	B3	13.63"	—	—	11.53"	16.31"	4.78"	—	P00839
72971†	Strut	B3	13.63"	—	—	11.53"	16.31"	4.78"	—	P00839
72974	Strut	B9	16.92"	—	—	14.54"	21.75"	7.21"	—	P00762
72975†	Strut	B9	16.92"	—	—	14.54"	21.75"	7.21"	—	P00762
72976	Strut	B11	14.39"	—	—	13.72"	17.24"	3.52"	—	P01742
72977	Strut	B11	14.39"	—	—	13.72"	17.24"	3.52"	—	P01742
72978†	Strut	B10	16.01"	—	—	15.54"	23.67"	8.13"	—	P00762
72979†	Strut	B10	16.01"	—	—	15.54"	23.67"	8.13"	—	P00762
72980†	Strut	B10	16.52"	—	—	16.71"	23.37"	6.66"	—	P01418
72981†	Strut	B10	16.52"	—	—	16.71"	23.37"	6.66"	—	P01418
72982	Strut	B9	16.86"	—	—	15.2"	22.36"	7.16"	—	P00762
72983	Strut	B9	16.86"	—	—	15.2"	22.36"	7.16"	—	P00762
72984	Strut	SS4	15.82"	—	—	16.33"	22.45"	6.12"	—	P00906
72985	Strut	B9	13.35"	—	—	13.65"	20.8"	7.15"	—	P00762

† Bumper Stop Unit. Dimension Shown at Bumper Contact

‡ Hydraulic Lockout Unit. Dimension Shown is Metal-to-Metal, Subtract Approximately 5/8" (.62) from the Extended Length for Start-of-Engagement.

# MOUNTING & LENGTH SPECIFICATIONS

Part No.	Part Type	STRUT BODY		END CODE		LENGTHS			Spring (Rate)	Parts Pack(s)
		Type	Length	Body	Rod	Comp.	Ext.	Trav.		
72986	Strut	B9	13.35"	—	—	13.65"	20.8"	7.15"	—	P00762
72987†	Strut	B11	13.23"	—	—	13.43"	19.76"	6.33"	—	P00762
72988†	Strut	B11	13.23"	—	—	13.43"	19.76"	6.33"	—	P00762
72989†	Strut	B11	13.54"	—	—	13.52"	20.16"	6.64"	—	P01418
72990†	Strut	B11	13.54"	—	—	13.52"	20.16"	6.64"	—	P01418
72991†	Strut	SS2	11.94"	—	—	12.46"	16.62"	4.16"	—	P00839
72992†	Strut	B12	14.59"	—	—	14.57"	19.78"	5.19"	—	P01418
72993†	Strut	B12	14.56"	—	—	14.57"	18.78"	4.21"	—	P01418
73012†	Strut	B11	14.44"	—	—	14.17"	19.23"	5.06"	—	P01700
73013†	Strut	B11	12.76"	—	—	15.14"	21"	5.87"	—	P00808
73014†	Strut	B11	12.76"	—	—	15.14"	21"	5.87"	—	P00808
73015†	Strut	B10	14.07"	—	—	13.7"	21.39"	7.69"	—	P00762
73016†	Strut	B10	14.07"	—	—	13.7"	21.39"	7.69"	—	P00762
73019	Strut	B11	12.37"	—	—	14.13"	19.29"	5.16"	—	P00808
73020	Strut	B11	12.37"	—	—	14.13"	19.29"	5.16"	—	P00808
73021	Strut	B9	14.92"	—	—	15.06"	22.87"	7.82"	—	P01524
73022	Strut	B9	14.92"	—	—	15.06"	22.87"	7.82"	—	P01524
73023	Strut	B9	14.92"	—	—	15.35"	24.61"	9.25"	—	P01524
73024	Strut	B9	14.92"	—	—	15.35"	24.61"	9.25"	—	P01524
73029†	Strut	SS3	10.93"	—	—	11.3"	15.68"	4.38"	—	None
73030†	Strut	SS3	10.93"	—	—	11.3"	15.68"	4.38"	—	None
73031†	Strut	SS7	15.78"	—	—	16.02"	20.91"	4.89"	—	P01726
73032†	Strut	SS7	16.93"	—	—	17.17"	22.09"	4.92"	—	P01726
73033	Strut	B9	15.94"	—	—	16.2"	21.59"	5.39"	—	P00808
73034	Strut	B9	15.94"	—	—	16.2"	24.28"	8.08"	—	P00808
73035†	Strut	B9	13.77"	—	—	12.98"	16.29"	3.32"	—	None
73036†	Strut	B9	13.77"	—	—	12.98"	16.29"	3.32"	—	None
73037†	Strut	B9	11.8"	—	—	12.09"	15.59"	3.51"	—	None
73038†	Strut	B9	11.8"	—	—	12.09"	15.59"	3.51"	—	None
73039†	Strut	SS2	13.11"	—	—	13.66"	19.4"	5.74"	—	P0906
73040†	Strut	B9	16.73"	—	—	17.2"	25.37"	8.17"	—	P00762
73041†	Strut	B9	16.73"	—	—	17.2"	25.37"	8.17"	—	P00762
73042†	Strut	B9	15.81"	—	—	12.57"	19.65"	7.08"	—	P00762
73043†	Strut	B9	15.81"	—	—	12.57"	19.65"	7.08"	—	P00762
73044	Strut	B13	12.46"	—	—	12.96"	20.9"	7.94"	—	P00762
73045†	Strut	B10	15.9"	—	—	12.71"	18.78"	6.07"	—	None
73046†	Strut	B10	15.9"	—	—	12.71"	18.78"	6.07"	—	None
73047†	Strut	B11	16.38"	—	—	13.03"	18.49"	5.46"	—	P00762
73048†	Strut	SS3	9.68"	—	—	10.94"	14.96"	4.02"	—	P01614
73049†	Strut	B9	16.58"	—	—	16.32"	23.8"	7.48"	—	P01418
73050†	Strut	B9	16.58"	—	—	16.32"	23.8"	7.48"	—	P01418
73051†	Strut	B9	13.37"	—	—	13.45"	17.72"	4.28"	—	P01371
73052†	Strut	B9	13.37"	—	—	13.45"	17.72"	4.28"	—	P01371
73053†	Strut	B9	15.1"	—	—	12.77"	19.15"	6.38"	—	None
73054†	Strut	B9	15.1"	—	—	12.77"	19.15"	6.38"	—	None
73055†	Strut	B9	15.1"	—	—	12.77"	19.15"	6.38"	—	None
73056†	Strut	B9	15.1"	—	—	12.77"	19.15"	6.38"	—	None
73057	Strut	B9	14.8"	—	—	12.29"	18.54"	6.25"	—	None
73058	Strut	B9	14.8"	—	—	12.29"	18.54"	6.25"	—	None
73059	Strut	B11	15.32"	—	—	15.58"	22.35"	6.55"	—	P00590
73060	Strut	B9	14.33"	—	—	13.91"	20.64"	6.73"	—	P01371
73061	Strut	B9	14.33"	—	—	13.91"	20.64"	6.73"	—	P01371
73062	Strut	B9	14.33"	—	—	15.05"	19.17"	4.12"	—	P01371
73063	Strut	B9	14.33"	—	—	15.05"	19.17"	4.12"	—	P01371
73066	Strut	B11	13.72"	—	—	14.3"	21"	6.7"	—	P00762
73067	Strut	B11	13.72"	—	—	14.3"	21"	6.7"	—	P00762
73068	Strut	B9	15.66"	—	—	15.56"	19.45"	3.89"	—	P00839
73069	Strut	B9	15.66"	—	—	15.56"	19.45"	3.89"	—	P00839
73070	Strut	B11	15.02"	—	—	15.41"	19.21"	3.8"	—	P00839
73071	Strut	B11	15.02"	—	—	15.41"	19.21"	3.8"	—	P00839
73072	Strut	B9	13.64"	—	—	14.33"	20.96"	6.63"	—	P00808

† Bumper Stop Unit. Dimension Shown at Bumper Contact

‡ Hydraulic Lockout Unit. Dimension Shown is Metal-to-Metal, Subtract Approximately 5/8" (.62) from the Extended Length for Start-of-Engagement.



# MOUNTING & LENGTH SPECIFICATIONS

Part No.	Part Type	STRUT BODY		END CODE		LENGTHS			Spring (Rate)	Parts Pack(s)
		Type	Length	Body	Rod	Comp.	Ext.	Trav.		
73073	Strut	B9	13.64"	—	—	14.33"	20.96"	6.63"	—	P00808
73074	Strut	B3	15.03"	—	—	12.39"	17.71"	5.32"	—	P00762
73075	Strut	B3	15.03"	—	—	12.39"	17.71"	5.32"	—	P00762
73076	Strut	SS3	11.89"	—	—	17.31"	21.29"	3.99"	—	P01613
73079	Strut	B10	14.63"	—	—	14.77"	20.83"	6.06"	—	P00839
73080	Strut	B10	14.63"	—	—	14.77"	20.83"	6.06"	—	P00839
73081	Strut	B3	12.83"	—	—	9.82"	16.68"	6.86"	—	P00762
73082	Strut	B3	14.63"	—	—	12.86"	15.78"	2.92"	—	P00906
73083	Strut	B3	14.63"	—	—	12.72"	17.53"	4.81"	—	P00906
73084	Strut	SS2	12.89"	—	—	13.53"	19.59"	6.06"	—	P01796
73085	Strut	SS2	12.89"	—	—	13.53"	18.94"	5.41"	—	P01798
73086	Strut	SS4	17.22"	—	—	17.5"	24.81"	7.31"	—	P00762, P00906
73087	Strut	SS4	17.22"	—	—	17.5"	24.81"	7.31"	—	P00762, P00906
73088	Strut	B10	15.69"	—	—	16"	22.06"	6.06"	—	P01418
73089	Strut	B10	15.69"	—	—	16"	22.06"	6.06"	—	P01418
73090	Strut	B9	14.58"	—	—	14.65"	19.45"	4.8"	—	P01371
73091	Strut	B9	14.58"	—	—	14.65"	19.45"	4.8"	—	P01371
73092	Strut	B2	15.87"	—	—	16.16"	21.55"	5.39"	—	P01418
73093	Strut	B2	15.87"	—	—	16.16"	21.55"	5.39"	—	P01418
73094	Strut	B2	15.59"	—	—	15.86"	21.32"	5.44"	—	P01418
73095	Strut	B2	15.59"	—	—	15.86"	21.32"	5.44"	—	P01418
73097	Strut	B3	16.42"	—	—	13.12"	18.07"	4.95"	—	P00762
73098	Strut	B3	16.42"	—	—	13.12"	18.07"	4.95"	—	P00762
73099	Strut	B10	13.16"	—	—	14.15"	20.36"	6.21"	—	P00762
73100	Strut	B10	13.16"	—	—	14.15"	20.36"	6.21"	—	P00762
73103	Strut	B11	12.52"	—	—	12.6"	18.74"	6.14"	—	P00839
73104	Strut	B11	12.52"	—	—	12.6"	18.74"	6.14"	—	P00839
73106	Strut	SS7	13.81"	—	—	15.94"	18.87"	2.93"	—	P01726
73116	Strut	B11	14.06"	—	—	13.6"	20.64"	7.04"	—	P00808
73122	Strut	SS7	15.53"	—	—	15.87"	20.86"	4.99"	—	P01726, P01141
73123	Strut	SS2	13.33"	—	—	13.99"	19.4"	5.41"	—	P01796
73124	Strut	SS7	16.59"	—	—	16.94"	21.89"	4.95"	—	P01726
73125	Strut	B4	14.4"	—	—	10.85"	19.22"	8.37"	—	P00762
73126	Strut	B4	14.4"	—	—	10.85"	19.22"	8.37"	—	P00762
73127	Strut	B4	14.4"	—	—	10.85"	18.39"	7.54"	—	P00762
73128	Strut	B4	14.4"	—	—	10.85"	18.39"	7.54"	—	P00762
73214	Strut Cartridge	T1	15.63"	—	—	16.25"	24"	7.75"	—	None
73244†	Strut Cartridge	T1	13.05"	—	—	13.96"	19.23"	5.28"	—	None
73267†	Strut Cartridge	T1	13.05"	—	—	13.51"	20.79"	7.28"	—	None
73305†	Strut Cartridge	T1	13.28"	—	—	13.51"	20.79"	7.28"	—	None
73950†	Strut Cartridge	T1	15.98"	—	—	16.49"	24.13"	7.65"	—	None
74006	Shock	—	—	L4	L4	14.29"	21.75"	7.46"	—	None
74025	Shock	—	—	L4	L4	15.62"	24.52"	8.9"	—	None
74028	Shock	—	—	L4	L4	14.72"	22.74"	8.02"	—	None
74075	Shock	—	—	L4	L4	13.25"	19.88"	6.63"	—	None
74400‡	Shock	—	—	L4	L4	16.88"	25.75"	8.88"	—	None
74402‡	Shock	—	—	L4	S6	15.88"	24.13"	8.25"	—	P01482
74405‡	Shock	—	—	L4	L4	12.76"	17.82"	5.06"	—	None
74406‡	Shock	—	—	L4	L4	14.23"	20.84"	6.61"	—	None
74408‡	Shock	—	—	L4	L4	15.71"	23.49"	7.81"	—	None
74409‡	Shock	—	—	S6	S6	12.31"	18.7"	6.39"	—	P01482
74413‡	Shock	—	—	L4	L4	17"	26.31"	9.31"	—	None
74417‡	Shock	—	—	L4	S6	15.39"	23.97"	8.58"	—	P01482
74418‡	Shock	—	—	S6	S6	19.02"	31.83"	12.81"	—	P01482
74423‡	Shock	—	—	L4	L4	13.67"	20.08"	6.41"	—	None
74431‡	Shock	—	—	S6	LS81	18.73"	31.11"	12.38"	—	P01482
74432‡	Shock	—	—	S6	LS81	16.63"	26.38"	9.75"	—	P01482
74434‡	Shock	—	—	L4	S6	16.25"	25.88"	9.63"	—	P01482
74435‡	Shock	—	—	LS65	LS65	15.08"	23.24"	8.16"	—	None
74439‡	Shock	—	—	S6	S6	14.8"	23.88"	9.08"	—	None
74440‡	Shock	—	—	S6	LS65	13.72"	21.08"	7.36"	—	P01482

† Bumper Stop Unit. Dimension Shown at Bumper Contact

‡ Hydraulic Lockout Unit. Dimension Shown is Metal-to-Metal, Subtract Approximately 5/8" (.62) from the Extended Length for Start-of-Engagement.

Part No.	Part Type	STRUT BODY		END CODE		LENGTHS			Spring (Rate)	Parts Pack(s)
		Type	Length	Body	Rod	Comp.	Ext.	Trav.		
74442‡	Shock	—	—	S6	S6	17.63"	29.56"	11.94"	—	None
74454‡	Shock	—	—	L4	L4	16.75"	26.41"	9.66"	—	None
74465‡	Shock	—	—	S6	S6	13.02"	20.06"	7.04"	—	None
74467‡	Shock	—	—	S6	LS65	12.86"	20.06"	7.2"	—	None
74469‡	Shock	—	—	LS54	LS54	13.97"	21.85"	7.88"	—	None
74470‡	Shock	—	—	LS65	LS65	13.5"	19.9"	6.4"	—	None
74471‡	Shock	—	—	L4	L4	15.46"	23.37"	7.91"	—	None
74472‡	Shock	—	—	L4	L4	15.88"	24.5"	8.62"	—	None
74480	Shock	—	—	LS54	S6	13.18"	19.86"	6.68"	—	No
550010†	Shock	—	—	XP4	S4	9.38"	13.75"	4.38"	—	P01136
550011†	Shock	—	—	L1	S4	12.38"	20"	7.63"	—	P01136,P00576
550012	Shock	—	—	XP4	S4	9.38"	14.25"	4.88"	—	P01134
550013†	Shock	—	—	L1	XP7	13.25"	21.25"	8"	—	P00576,P00941
550016†	Shock	—	—	XP4	S4	12.63"	20.38"	7.75"	—	P01136
550017†	Shock	—	—	L1	XP12	17.75"	20.13"	2.38"	—	None
550018†	Shock	—	—	LS26	S4	12.5"	20"	7.5"	—	P01136,P01344
550055†	Shock	—	—	LS26	S4	12.38"	20.13"	7.75"	—	P01136,P01344
550057†	Shock	—	—	CLEV	S5	19.18"	24.8"	5.62"	—	P00590,P01637
550058†	Shock	—	—	CLEV	S5	16.97"	23.13"	6.16"	—	P01637,P00590
550060	Shock	—	—	LS47	LS47	16.39"	25.54"	9.16"	—	None
550061	Shock	—	—	LS47	LS47	16.02"	26.5"	10.48"	—	None
550062	Shock	—	—	LS27	LS27	17.76"	29.44"	11.96"	—	None
550063	Shock	—	—	LS27	LS27	16.54"	27.19"	10.65"	—	None
550064	Shock	—	—	LS27	S5	15.1"	24.39"	9.29"	—	P01167
550065	Shock	—	—	LS78	L1	16.5"	27.17"	10.67"	—	None
550066	Shock	—	—	LS78	L1	18.63"	31.17"	12.54"	—	None
550067	Shock	—	—	LS78	L1	14.25"	22.67"	8.42"	—	None
552001	Shock	—	—	LS47	LS47	15.82"	24.74"	8.92"	—	None
553001	Shock	—	—	LS53	S5	13.88"	17"	3.13"	—	P01611
553002	Shock	—	—	SPEC	S1	14.63"	21.88"	7.25"	—	None
553003	Strut	B1	10.63"	SPEC	S4	10.83"	17.91"	7.08"	—	None
553004†	Strut	SS2	13.27"	—	—	13.77"	17.99"	4.22"	—	P01614
553005	Strut	B4	15.64"	—	—	14.75"	22.98"	8.23"	—	P00762
553006	Strut	B4	15.64"	—	—	14.75"	22.34"	7.59"	—	P00762
553007	Strut	B4	12.72"	—	—	13.22"	17.94"	4.72"	—	P00808
553010	Strut	B10	11.3"	—	—	11.8"	19.86"	8.06"	—	P00590
553011	Strut	B10	11.3"	—	—	11.8"	19.86"	8.06"	—	P00590
553012	Strut	B11	13.8"	—	—	14.3"	21.18"	6.88"	—	P01697
553013	Strut	B11	13.8"	—	—	14.3"	21.18"	6.88"	—	P01697
553014†	Strut	SS4	19.53"	—	—	20.22"	25.6"	5.28"	—	P01522
553015†	Strut	B17	9.64"	—	—	10.14"	16.68"	6.54"	—	P00590
553016†	Strut	B9	12.81"	—	—	13.31"	19.67"	6.36"	—	None
553017†	Strut	B9	12.81"	—	—	13.31"	19.67"	6.36"	—	None
553018	Strut	SS2	11.76"	—	—	12.26"	16.65"	4.39"	—	None
553019	Strut	B10	12.81"	—	—	13.31"	18.2"	4.89"	—	None
553020	Strut	B10	12.81"	—	—	13.31"	18.2"	4.89"	—	None
553021	Strut	SS2	11.76"	—	—	12.26"	16.65"	4.39"	—	None
553022†	Strut	B17	10.85"	—	—	11.35"	19.69"	8.34"	—	P00590
553023†	Strut	B10	15.56"	—	—	16.06"	23.21"	7.15"	—	P00590
553024	Strut	B9	11.3"	—	—	11.8"	22.33"	10.53"	—	P00590
553025	Strut	B9	11.3"	—	—	11.8"	22.33"	10.53"	—	P00590
553033	Strut	B3	14.65"	—	—	12.86"	16.93"	4.07"	—	P01524
555001†	Shock	—	—	S4	S4	7.88"	11.88"	4"	—	P01134
555002	Shock	—	—	L1	L1	8.63"	12.75"	4.13"	—	P01221
555003	Shock	—	—	L1	L1	9.63"	14.75"	5.13"	—	P01221
555004	Shock	—	—	L1	L1	11.25"	17.88"	6.63"	—	P01221
555009	Shock	—	—	LS47	XP7	14"	22.38"	8.38"	—	None
555010	Shock	—	—	LS15	S5	13.5"	22.13"	8.63"	—	P01167
555011	Shock	—	—	LS39	L2	14.63"	24.13"	9.5"	—	None
555014‡	Shock	—	—	LS39	L1	15"	23.38"	8.38"	—	None
555020	Shock	—	—	LS38	S5	13.5"	22.5"	9"	—	P01167

† Bumper Stop Unit. Dimension Shown at Bumper Contact

‡ Hydraulic Lockout Unit. Dimension Shown is Metal-to-Metal, Subtract Approximately 5/8" (.62) from the Extended Length for Start-of-Engagement.

# MOUNTING & LENGTH SPECIFICATIONS

Part No.	Part Type	STRUT BODY		END CODE		LENGTHS			Spring (Rate)	Parts Pack(s)
		Type	Length	Body	Rod	Comp.	Ext.	Trav.		
555025†	Shock	—	—	S4	S4	8.63"	13.5"	4.88"	—	P01134
555031†	Shock	—	—	L1	S5	10"	14.88"	4.88"	—	P01167
555032	Shock	—	—	LS26	S5	13.25"	22"	8.75"	—	P01167
555033†	Shock	—	—	LS38	S5	10.63"	16"	5.38"	—	P01167
555034	Shock	—	—	LS38	S5	13.63"	22.5"	8.88"	—	P01167
555035	Shock	—	—	LS37	LS37	9.88"	14.88"	5"	—	None
555036†	Shock	—	—	LS39	LS39	15"	24.63"	9.63"	—	None
555037	Shock	—	—	XP8	S5	10.13"	15.63"	5.5"	—	P01167
555038	Shock	—	—	LS39	LS39	12.88"	21"	8.13"	—	None
555944	Steering Damper	—	—	L1	S4	13.75"	23.38"	9.63"	—	P00837,P01098
555949	Steering Damper	—	—	L1	L1	17.13"	29.38"	12.25"	—	P00576,P01013
557001	Shock	—	—	LS54	LS54	17.38"	29.13"	11.75"	—	P01232
557002	Shock	—	—	LS54	LS54	16.88"	27.63"	10.75"	—	None
557003	Shock	—	—	LS37	LS53	10.63"	15.75"	5.13"	—	P01234
557004	Shock	—	—	LS47	LS47	14"	22"	8"	—	None
557007	Shock	—	—	LS54	LS54	16"	25.63"	9.63"	—	None
557011‡	Shock	—	—	LS54	LS39	15.25"	23.88"	8.63"	—	None
557012‡	Shock	—	—	LS54	LS54	13.63"	20.5"	6.88"	—	None
557031	Shock	—	—	LS54	LS54	16.38"	27"	10.63"	—	None
557032	Shock	—	—	S6	LS54	13.63"	22"	8.38"	—	P01482
557045‡	Shock	—	—	LS39	S5	14.43"	23.39"	8.96"	—	P01167
801100	Strut	SS4	13.08"	—	—	13.58"	18.08"	4.52"	—	None
801256†	Strut	SS1	12"	—	—	12.25"	19"	6.75"	—	P762
801265†	Strut	SS1	16.13"	—	—	16.5"	25"	8.5"	—	P01006
801278†	Strut	SS2	10.68"	—	—	11.18"	16.67"	5.49"	—	None
801281†	Strut	SS2	17.13"	—	—	17.38"	23.75"	6.38"	—	None
801291†	Strut	SPEC	9.56"	—	—	10"	15.38"	5.38"	—	P906
801292†	Strut	SPEC	12.75"	—	—	13.25"	19.25"	6"	—	P878
801293†	Strut	B3	12.01"	—	—	12.51"	17.73"	5.22"	—	P906
801297†	Strut	SPEC	11.56"	—	—	12"	19.25"	7.25"	—	P1498
801299†	Strut	SS2	16.38"	—	—	16.5"	25.25"	8.75"	—	P906
801311†	Strut	SS4	12.9"	—	—	13.4"	20.43"	7.03"	—	None
801312†	Strut	SS2	11"	—	—	11.5"	16.5"	5"	—	None
801326	Strut	SS2	14.94"	—	—	15.44"	22.17"	6.73"	—	P01629
801340	Strut	SS2	10"	—	—	10.38"	14.75"	4.38"	—	P00906
801341†	Strut	B3	11.02"	—	—	11.07"	16.08"	5.01"	—	None
801347	Strut	SS2	13.12"	—	—	13.62"	17.93"	4.31"	—	P01612
801351†	Strut	SS2	13.05"	—	—	13.5"	16.16"	2.66"	—	P1612
801352†	Strut	SS2	13.12"	—	—	13.62"	18.19"	4.57"	—	P1612
801358	Strut	SS2	10.29"	—	—	10.79"	14.62"	3.83"	—	P01614
801371	Strut	SS2	16.39"	—	—	16.89"	21.83"	4.94"	—	P01613
801372	Strut	SS2	16.52"	—	—	17.02"	24.88"	7.86"	—	P00906
801377	Strut	B3	13.42"	—	—	13.92"	20.25"	6.33"	—	None
801426†	Strut	B10	13.38"	—	—	13.63"	20.5"	6.88"	—	P00762
801427†	Strut	B10	13.38"	—	—	13.63"	20.5"	6.88"	—	P00762
801433	Strut	B14	12.75"	—	—	13"	19.13"	6.13"	—	P00762
801434	Strut	B14	12.75"	—	—	13"	19.13"	6.13"	—	P00762
801437†	Strut	B10	14.64"	—	—	15.14"	21.77"	6.63"	—	P01371
801438†	Strut	B11	14.64"	—	—	15.14"	21.77"	6.63"	—	P01371
801504†	Strut	B4	14.75"	—	—	15.13"	21.38"	6.25"	—	P762
801505	Strut	B4	14.75"	—	—	15.13"	21.38"	6.25"	—	P762
801525†	Strut	B4	14.5"	—	—	15.25"	22"	6.75"	—	P808
801565†	Strut	B3	9.49"	—	—	9.99"	13.33"	3.34"	—	P1095
801566	Strut	B11	12.63"	—	—	12.88"	18.75"	5.88"	—	P00762
801567	Strut	B11	12.63"	—	—	12.88"	18.75"	5.88"	—	P00762
801570†	Strut	B10	14.88"	—	—	16.63"	23.38"	6.75"	—	P762
801571†	Strut	B10	14.88"	—	—	16.63"	23.38"	6.75"	—	P762
801572†	Strut	B5	11"	—	—	11.5"	18.5"	7"	—	P590
801580†	Strut	B5	11.56"	—	—	12"	18"	6"	—	None
801592†	Strut	B5	11.56"	—	—	12"	18"	6"	—	None
801593†	Strut	B11	17.09"	—	—	17.59"	24.94"	7.35"	—	P00590

† Bumper Stop Unit. Dimension Shown at Bumper Contact

‡ Hydraulic Lockout Unit. Dimension Shown is Metal-to-Metal, Subtract Approximately 5/8" (.62) from the Extended Length for Start-of-Engagement.

# MOUNTING & LENGTH SPECIFICATIONS

Part No.	Part Type	STRUT BODY		END CODE		LENGTHS			Spring (Rate)	Parts Pack(s)
		Type	Length	Body	Rod	Comp.	Ext.	Trav.		
801594†	Strut	B11	14.93"	—	—	15.43"	22.5"	7.07"	—	P00590
801597	Strut	B9	14.25"	—	—	14.5"	21"	6.5"	—	P00762
801598	Strut	B9	14.25"	—	—	14.5"	21"	6.5"	—	P00762
801615†	Strut	B4	14.75"	—	—	14.88"	19"	4.13"	—	P1439
801616†	Strut	B4	15.88"	—	—	16"	21.88"	5.88"	—	P590
801654	Strut	B2	12.38"	—	—	12.88"	18.88"	6"	—	P00762
801655	Strut	B2	12.38"	—	—	12.88"	18.88"	6"	—	P00762
801661†	Strut	B9	9.77"	—	—	10.27"	16.68"	6.41"	—	None
801662†	Strut	B12	15.03"	—	—	15.53"	23.09"	7.56"	—	P01700
801663	Strut	B2	15"	—	—	15.5"	23.13"	7.63"	—	P853
801672†	Strut	B10	10.56"	—	—	11.06"	18.08"	7.02"	—	P1467
801673†	Strut	B9	12.3"	—	—	12.8"	21.18"	8.38"	—	None
801678†	Strut	B10	13.38"	—	—	13.88"	20.12"	6.24"	—	None
801679†	Strut	B10	13.38"	—	—	13.88"	20.12"	6.24"	—	None
801680†	Strut	B10	15.81"	—	—	16.31"	24.21"	7.9"	—	None
801681†	Strut	B10	15.81"	—	—	16.31"	24.21"	7.9"	—	None
801686	Strut	B2	11.63"	—	—	12.13"	20.38"	8.25"	—	None
801687	Strut	B4	13.5"	—	—	14"	20.25"	6.25"	—	P762
801691†	Strut	B3	13.63"	—	—	16.63"	19.5"	2.88"	—	P906
801728†	Strut	B1	9.75"	—	—	10.25"	17.4"	7.15"	—	None
801798†	Strut	B15	13.25"	—	—	13.75"	21"	7.25"	—	P00853
801803†	Strut	B1	13.13"	—	—	13.63"	20.13"	6.5"	—	P1453
801828†	Strut	B1	13.13"	—	—	13.63"	20.13"	6.5"	—	P1454
801871†	Strut	B11	12.88"	—	—	13.38"	19.63"	6.25"	—	None
801872†	Strut	B11	12.88"	—	—	13.38"	19.63"	6.25"	—	None
801873†	Strut	B10	14.38"	—	—	14.88"	23.13"	8.25"	—	None
801874†	Strut	B10	14.38"	—	—	14.88"	23.13"	8.25"	—	None
801897†	Strut	SPEC	12.38"	—	—	12.75"	16.38"	3.63"	—	P01095
801920†	Strut	B4	14.63"	—	—	14.75"	21.13"	6.38"	—	P1526
801932†	Strut	B7	8.28"	—	—	8.78"	15.22"	6.44"	—	P808
801951†	Strut	B2	12.75"	—	—	13.25"	18.75"	5.5"	—	P808
801952†	Strut	B2	12.75"	—	—	13.25"	18.75"	5.5"	—	P808
801953†	Strut	B2	15.13"	—	—	15.5"	22.5"	7"	—	P808
801954†	Strut	B9	14.93"	—	—	15.43"	22.5"	7.07"	—	P808
801962†	Strut	B7	12.33"	—	—	12.83"	18.49"	5.66"	—	P589
801963†	Strut	B7	12.38"	—	—	12.88"	18.5"	5.63"	—	P1449
801964†	Strut	B5	12.75"	—	—	13.25"	19.5"	6.25"	—	P1438
801968†	Strut	B10	13.63"	—	—	14.38"	20.13"	5.75"	—	None
801969†	Strut	B10	13.63"	—	—	14.38"	20.13"	5.75"	—	None
801973†	Strut	B5	10.88"	—	—	11.38"	17.75"	6.38"	—	P588
802105	Strut	B10	12.91"	—	—	12.83"	18.78"	5.95"	—	P00762
802106†	Strut	B10	12.91"	—	—	12.83"	18.78"	5.95"	—	P00762
802116	Strut	B11	13.1"	—	—	13.6"	20.64"	7.04"	—	P00808
802117	Strut	B11	13.1"	—	—	13.6"	20.64"	7.04"	—	P00808
802123	Strut	SS2	11.7"	—	—	12.2"	16.56"	4.36"	—	P00906
802130	Strut	B11	12.88"	—	—	13.38"	20.29"	6.91"	—	None
802143†	Strut	B14	14.72"	—	—	14.53"	21.1"	6.6"	—	P00762
802144†	Strut	B14	14.72"	—	—	14.53"	21.1"	6.6"	—	P00762
802179†	Strut	B11	11.05"	—	—	11.55"	17.6"	6.05"	—	P01460
802199†	Strut	B10	13.27"	—	—	11.55"	17.91"	6.36"	—	P01460
802200	Strut	B10	13.27"	—	—	11.55"	17.91"	6.36"	—	P01460
802205†	Strut	B10	13.92"	—	—	14.42"	22.06"	7.64"	—	P01418
802206†	Strut	B10	13.92"	—	—	14.42"	22.06"	7.64"	—	P01418
802207	Strut	B10	15.47"	—	—	15.97"	24.49"	8.52"	—	P00808
802208	Strut	B10	15.34"	—	—	15.84"	24.49"	8.65"	—	P00808
802211	Strut	B12	16.31"	—	—	16.81"	21.17"	4.36"	—	P01418
802212	Strut	B12	16.31"	—	—	16.81"	21.17"	4.36"	—	P01418
802240	Strut	B9	13.12"	—	—	13.62"	20.49"	6.87"	—	P00762
802241	Strut	B9	13.12"	—	—	13.62"	20.49"	6.87"	—	P00762
802248	Strut	SS4	19.33"	—	—	19.83"	24.98"	5.15"	—	P01522
802263	Strut	B4	13.62"	—	—	12.25"	18.94"	6.69"	—	P00762

† Bumper Stop Unit. Dimension Shown at Bumper Contact

‡ Hydraulic Lockout Unit. Dimension Shown is Metal-to-Metal, Subtract Approximately 5/8" (.62) from the Extended Length for Start-of-Engagement.

# MOUNTING & LENGTH SPECIFICATIONS

Part No.	Part Type	STRUT BODY		END CODE		LENGTHS			Spring (Rate)	Parts Pack(s)
		Type	Length	Body	Rod	Comp.	Ext.	Trav.		
802264	Strut	B4	13.16"	—	—	12.25"	18.94"	6.69"	—	P00762
802267	Strut	B9	14.54"	—	—	15.04"	22.21"	7.17"	—	P00762
802268	Strut	B9	14.54"	—	—	15.04"	22.21"	7.17"	—	P00762
802275	Strut	B10	14.64"	—	—	15.14"	21"	5.86"	—	P00808
802276	Strut	B10	15.14"	—	—	15.14"	21"	5.86"	—	P00808
802295	Strut	B11	13.28"	—	—	13.78"	20.09"	6.31"	—	P00808
802296	Strut	B11	13.28"	—	—	13.78"	20.09"	6.31"	—	P00808
802307†	Strut	B2	14.07"	—	—	14.57"	21.5"	6.93"	—	P01418
802308†	Strut	B2	14.07"	—	—	14.57"	21.5"	6.93"	—	P01418
802367†	Strut	B12	13.04"	—	—	13.54"	20.08"	6.54"	—	None
802368	Strut	B12	13.04"	—	—	13.54"	20.8"	6.54"	—	None
802378†	Strut	B9	12.6"	—	—	13.1"	19.8"	6.7"	—	P00762
802379†	Strut	B11	12.6"	—	—	13.1"	19.8"	6.7"	—	P00762
802392	Strut	B9	13.13"	—	—	13.63"	17.43"	3.8"	—	None
802393	Strut	B9	13.13"	—	—	13.63"	17.43"	3.8"	—	None
802401	Strut	SS2	11.78"	—	—	12.69"	18.98"	6.29"	—	P00906
802518†	Strut	B9	10.7"	—	—	11.27"	19.12"	7.85"	—	None
802591	Strut	B11	11.72"	—	—	12.22"	18.74"	6.52"	—	None
900020	Lift Support	—	—	E	E	13.03"	22.68"	9.65"	—	None
900026	Lift Support	—	—	E	E	14.17"	21.85"	7.68"	—	None
900035	Lift Support	—	—	E	E	15.75"	28.15"	12.4"	—	None
900049	Lift Support	—	—	E	E	11.5"	18.9"	7.4"	—	None
900057	Lift Support	—	—	E	E	10.95"	19.53"	8.58"	—	None
900063	Lift Support	—	—	E	E	10.98"	18.62"	7.64"	—	None
900064	Lift Support	—	—	E	E	12.01"	16.97"	4.96"	—	None
900069	Lift Support	—	—	E	E	14.45"	25.59"	11.14"	—	None
900072	Lift Support	—	—	E	E	7.72"	12.24"	4.53"	—	None
900080	Lift Support	—	—	E	E	7.87"	11.73"	3.86"	—	None
900083	Lift Support	—	—	E	E	17.72"	25.98"	8.27"	—	None
900084	Lift Support	—	—	E	E	8.86"	14.76"	5.91"	—	None
900087	Lift Support	—	—	U	G	15.67"	23.94"	8.27"	—	PM09031
900089	Lift Support	—	—	E	E	11.27"	17.84"	6.58"	—	None
900096	Lift Support	—	—	E	E	7.4"	11.73"	4.33"	—	None
900106	Lift Support	—	—	E	E	12.01"	17.91"	5.91"	—	None
900119	Lift Support	—	—	G	E	6.72"	10.22"	3.5"	—	None
900134	Lift Support	—	—	E	E	13.47"	22.91"	9.45"	—	None
900144	Lift Support	—	—	E	E	9.61"	14.57"	4.96"	—	None
900145	Lift Support	—	—	E	E	11.81"	19.69"	7.87"	—	None
900154	Lift Support	—	—	E	E	7.29"	11.42"	4.13"	—	None
900156	Lift Support	—	—	E	E	10.78"	17.95"	7.17"	—	None
900165	Lift Support	—	—	E	E	14.96"	23.23"	8.27"	—	None
900174	Lift Support	—	—	E	E	8.58"	14.29"	5.71"	—	None
900175	Lift Support	—	—	E	E	8.7"	14.29"	5.59"	—	None
900180	Lift Support	—	—	E	E	11.5"	20.16"	8.66"	—	None
900182	Lift Support	—	—	E	E	10.94"	19.21"	8.27"	—	None
900186	Lift Support	—	—	E	E	7.28"	11.22"	3.94"	—	None
900195	Lift Support	—	—	HH	E	11.38"	18.07"	6.69"	—	PM09068
900197	Lift Support	—	—	E	E	13.78"	23.86"	10.08"	—	None
900203	Lift Support	—	—	E	E	9.65"	16.34"	6.69"	—	None
900211	Lift Support	—	—	T	E	13.86"	22.72"	8.86"	—	PM09526
900213	Lift Support	—	—	E	E	10.75"	18.43"	7.68"	—	None
900216	Lift Support	—	—	E	E	10.75"	17.83"	7.09"	—	None
900222	Lift Support	—	—	E	E	13.86"	20.75"	6.89"	—	None
900225	Lift Support	—	—	E	E	20.87"	29.13"	8.27"	—	None
900232	Lift Support	—	—	E	E	8.31"	11.93"	3.62"	—	None
900233	Lift Support	—	—	E	E	10.63"	17.91"	7.28"	—	None
900238	Lift Support	—	—	T	E	13.46"	21.73"	8.27"	—	PM09560
900239	Lift Support	—	—	T	E	13.46"	21.73"	8.27"	—	PM09560
900244	Lift Support	—	—	E	E	7.44"	11.02"	3.58"	—	None
900245	Lift Support	—	—	E	E	6.26"	8.9"	2.64"	—	None
900250	Lift Support	—	—	E	E	14.17"	24.72"	10.55"	—	PM09514

† Bumper Stop Unit. Dimension Shown at Bumper Contact

‡ Hydraulic Lockout Unit. Dimension Shown is Metal-to-Metal, Subtract Approximately 5/8" (.62) from the Extended Length for Start-of-Engagement.



# MOUNTING & LENGTH SPECIFICATIONS

Part No.	Part Type	STRUT BODY		END CODE		LENGTHS			Spring (Rate)	Parts Pack(s)
		Type	Length	Body	Rod	Comp.	Ext.	Trav.		
900252	Lift Support	—	—	U	E	12.01"	20.28"	8.27"	—	PM09538
900260	Lift Support	—	—	E	E	11.02"	19.09"	8.07"	—	None
900261	Lift Support	—	—	E	E	10.71"	19.37"	8.66"	—	None
900266	Lift Support	—	—	E	E	9.53"	14.41"	4.88"	—	None
900274	Lift Support	—	—	E	E	10.16"	16.85"	6.69"	—	None
900283	Lift Support	—	—	G	G	16.38"	28"	11.62"	—	None
900284	Lift Support	—	—	G	G	16.38"	28"	11.62"	—	None
900285	Lift Support	—	—	E	E	6.14"	10"	3.86"	—	None
900288	Lift Support	—	—	E	E	10.75"	18.47"	7.72"	—	None
900289	Lift Support	—	—	E	E	8"	13"	5"	—	None
900293	Lift Support	—	—	E	E	9.33"	15"	5.67"	—	None
900294	Lift Support	—	—	E	E	10.75"	18.47"	7.72"	—	None
900295	Lift Support	—	—	E	E	10.75"	18.47"	7.72"	—	None
900296	Lift Support	—	—	G	E	16.02"	26.38"	10.35"	—	None
900297	Lift Support	—	—	E	E	7.68"	12.2"	4.53"	—	None
900300	Lift Support	—	—	E	E	12.56"	20.24"	7.68"	—	None
900303	Lift Support	—	—	H	G	15.63"	26.57"	10.94"	—	None
900305	Lift Support	—	—	E	E	13.31"	22.36"	9.06"	—	None
900307	Lift Support	—	—	E	E	14.76"	21.18"	6.42"	—	None
900308	Lift Support	—	—	T	G	12.95"	20.98"	8.03"	—	PM09049
900309	Lift Support	—	—	T	G	12.95"	20.98"	8.03"	—	PM09049
900310	Lift Support	—	—	E	E	13.58"	20.87"	7.28"	—	None
900311	Lift Support	—	—	E	E	11.42"	19.69"	8.27"	—	None
900313	Lift Support	—	—	E	E	11.14"	18.98"	7.83"	—	None
900314	Lift Support	—	—	E	E	10.28"	17.83"	7.56"	—	None
900315	Lift Support	—	—	E	E	10.31"	17.05"	6.73"	—	None
900317	Lift Support	—	—	E	E	10.31"	17.28"	6.97"	—	None
900324	Lift Support	—	—	E	E	8.82"	14.49"	5.67"	—	None
900326	Lift Support	—	—	E	E	8.27"	12.8"	4.53"	—	None
900327	Lift Support	—	—	E	E	8.98"	12.52"	3.54"	—	None
900328	Lift Support	—	—	E	E	7.64"	12.17"	4.53"	—	None
900329	Lift Support	—	—	B	B	6.93"	10.08"	3.15"	—	None
900331	Lift Support	—	—	E	E	5.31"	7.28"	1.97"	—	None
900333	Lift Support	—	—	E	E	14.8"	25.31"	10.51"	—	None
900335	Lift Support	—	—	E	E	7.68"	12.32"	4.65"	—	None
900340	Lift Support	—	—	E	E	6.73"	11.02"	4.29"	—	None
900342	Lift Support	—	—	G	G	16.38"	27.99"	11.61"	—	None
900343	Lift Support	—	—	E	E	5.31"	7.48"	2.17"	—	None
900344	Lift Support	—	—	B	B	6.77"	10"	3.23"	—	None
900345	Lift Support	—	—	E	E	6.42"	10"	3.58"	—	None
900346	Lift Support	—	—	E	E	8.07"	12.01"	3.94"	—	None
900347	Lift Support	—	—	E	E	8.03"	12.99"	4.96"	—	None
900348	Lift Support	—	—	E	E	8.27"	14.02"	5.75"	—	None
900349	Lift Support	—	—	E	E	9.25"	14.49"	5.24"	—	None
900350	Lift Support	—	—	E	E	8.27"	14.49"	6.22"	—	None
900351	Lift Support	—	—	E	E	8.74"	15"	6.26"	—	None
900352	Lift Support	—	—	B	B	9.49"	15"	5.51"	—	None
900353	Lift Support	—	—	E	E	9.13"	15.24"	6.1"	—	None
900354	Lift Support	—	—	E	E	9.49"	15.98"	6.5"	—	None
900355	Lift Support	—	—	E	E	12.24"	18.5"	6.26"	—	None
900356	Lift Support	—	—	E	E	12.24"	18.5"	6.26"	—	None
900357	Lift Support	—	—	E	E	12.24"	18.5"	6.26"	—	None
900358	Lift Support	—	—	E	E	12.24"	18.5"	6.26"	—	None
900359	Lift Support	—	—	E	E	12.24"	18.5"	6.26"	—	None
900360	Lift Support	—	—	E	E	12.24"	18.5"	6.26"	—	None
900361	Lift Support	—	—	E	E	11.02"	17.01"	5.98"	—	None
900362	Lift Support	—	—	E	E	11.02"	17.01"	5.98"	—	None
900363	Lift Support	—	—	E	E	11.02"	17.01"	5.98"	—	None
900364	Lift Support	—	—	E	E	12.72"	20.98"	8.27"	—	None
900365	Lift Support	—	—	E	E	12.01"	20"	7.99"	—	None
900366	Lift Support	—	—	E	E	11.5"	20"	8.5"	—	None

† Bumper Stop Unit. Dimension Shown at Bumper Contact

‡ Hydraulic Lockout Unit. Dimension Shown is Metal-to-Metal, Subtract Approximately 5/8" (.62) from the Extended Length for Start-of-Engagement.

# MOUNTING & LENGTH SPECIFICATIONS

Part No.	Part Type	STRUT BODY		END CODE		LENGTHS			Spring (Rate)	Parts Pack(s)
		Type	Length	Body	Rod	Comp.	Ext.	Trav.		
900367	Lift Support	—	—	E	E	12.48"	22.99"	10.51"	—	None
900368	Lift Support	—	—	E	E	13.15"	22.99"	9.84"	—	None
900369	Lift Support	—	—	E	E	15.43"	26.26"	10.83"	—	None
900370	Lift Support	—	—	E	E	15.43"	26.26"	10.83"	—	None
900371	Lift Support	—	—	E	E	6.14"	10"	3.86"	—	None
900372	Lift Support	—	—	E	E	8.62"	13.98"	5.35"	—	None
900373	Lift Support	—	—	E	E	6.46"	10"	3.54"	—	None
900374	Lift Support	—	—	E	E	6.97"	10.98"	4.02"	—	None
900375	Lift Support	—	—	E	E	11.34"	19.69"	8.35"	—	None
900376	Lift Support	—	—	E	E	6.97"	10.98"	4.02"	—	None
900377	Lift Support	—	—	E	E	9.06"	15.75"	6.69"	—	None
900378	Lift Support	—	—	E	E	11.73"	18.9"	7.17"	—	None
900379	Lift Support	—	—	E	E	8.82"	14.06"	5.24"	—	None
900383	Lift Support	—	—	E	E	11.42"	19.69"	8.27"	—	None
900388	Lift Support	—	—	E	G	15.55"	27.36"	11.81"	—	None
900391	Lift Support	—	—	E	E	12.8"	20.28"	7.48"	—	None
900392	Lift Support	—	—	E	E	12.01"	18.9"	6.89"	—	None
900396	Lift Support	—	—	E	E	14.84"	26.34"	11.5"	—	None
900399	Lift Support	—	—	B	E	10.63"	16.14"	5.51"	—	None
900400	Lift Support	—	—	G	G	8.43"	12.8"	4.37"	—	None
900402	Lift Support	—	—	E	E	10.24"	17.52"	7.28"	—	None
900404	Lift Support	—	—	E	E	11.77"	18.46"	6.69"	—	None
900409	Lift Support	—	—	G	G	10.75"	15.59"	4.84"	—	None
900415	Lift Support	—	—	E	E	8.86"	13.23"	4.37"	—	None
900416	Lift Support	—	—	G	G	14.17"	25"	10.83"	—	None
900421	Lift Support	—	—	E	E	14.96"	26.57"	11.61"	—	None
900433	Lift Support	—	—	E	E	17.4"	31.89"	14.49"	—	PM09019
900438	Lift Support	—	—	E	E	7.72"	12.56"	4.84"	—	None
900448	Lift Support	—	—	E	E	11.02"	17.91"	6.89"	—	None
901109	Lift Support	—	—	E	E	13.58"	23.07"	9.49"	—	None
901126	Lift Support	—	—	B	B	14.57"	24.8"	10.24"	—	None
901159	Lift Support	—	—	E	E	12.4"	21.46"	9.06"	—	None
901168	Lift Support	—	—	E	E	15.04"	24.61"	9.57"	—	None
901169	Lift Support	—	—	E	E	14.45"	25.47"	11.02"	—	None
901176	Lift Support	—	—	E	E	12.17"	20.83"	8.66"	—	None
901177	Lift Support	—	—	E	E	14.72"	23.9"	9.17"	—	None
901178	Lift Support	—	—	B	E	10.04"	16.77"	6.73"	—	None
901254	Lift Support	—	—	F	F	13.15"	19.45"	6.3"	—	None
901260	Lift Support	—	—	E	G	12.4"	21.46"	9.06"	—	None
901266	Lift Support	—	—	E	E	10.51"	17.99"	7.48"	—	None
901270	Lift Support	—	—	E	E	11.75"	19.7"	7.95"	—	None
901277	Lift Support	—	—	B	E	9.45"	15.91"	6.46"	—	None
901284	Lift Support	—	—	C	C	9.84"	16.58"	6.73"	—	None
901285	Lift Support	—	—	E	E	11.02"	17.52"	6.5"	—	None
901286	Lift Support	—	—	E	E	11.06"	19.09"	8.03"	—	None
901287	Lift Support	—	—	E	E	14.33"	19.09"	4.76"	—	None
901341	Lift Support	—	—	E	E	6.77"	11.65"	4.88"	—	None
901359	Lift Support	—	—	E	E	11.34"	17.64"	6.3"	—	None
901369	Lift Support	—	—	E	E	7.4"	11.85"	4.45"	—	None
901374	Lift Support	—	—	V	V	16.26"	23.82"	7.56"	—	None
901375	Lift Support	—	—	E	E	7.05"	10.83"	3.78"	—	None
901378	Lift Support	—	—	E	E	16.54"	22.13"	5.59"	—	None
901382	Lift Support	—	—	E	E	7.21"	11.34"	4.13"	—	None
901387	Lift Support	—	—	E	E	10.75"	17.72"	6.97"	—	None
901388	Lift Support	—	—	E	E	12.87"	21.73"	8.86"	—	None
901389	Lift Support	—	—	E	E	10.08"	15.28"	5.2"	—	PM09038
901394	Lift Support	—	—	E	E	11"	17"	6"	—	None
901395	Lift Support	—	—	E	E	12"	20"	8"	—	None
901397	Lift Support	—	—	E	E	12"	20"	8"	—	None
901401	Lift Support	—	—	E	E	12"	20"	8"	—	None
901408	Lift Support	—	—	E	E	8.5"	12"	3.5"	—	None

† Bumper Stop Unit. Dimension Shown at Bumper Contact

‡ Hydraulic Lockout Unit. Dimension Shown is Metal-to-Metal, Subtract Approximately 5/8" (.62) from the Extended Length for Start-of-Engagement.

# MOUNTING & LENGTH SPECIFICATIONS

Part No.	Part Type	STRUT BODY		END CODE		LENGTHS			Spring (Rate)	Parts Pack(s)
		Type	Length	Body	Rod	Comp.	Ext.	Trav.		
901422	Lift Support	—	—	T	E	14.09"	24.02"	9.92"	—	None
901429	Lift Support	—	—	T	G	10.59"	15.2"	4.61"	—	PM09030
901459	Lift Support	—	—	E	E	6.77"	10"	3.23"	—	None
901461	Lift Support	—	—	E	E	5.16"	7.52"	2.36"	—	None
901469	Lift Support	—	—	E	E	16.46"	28.27"	11.81"	—	PM09068
901475	Lift Support	—	—	E	E	5.51"	7.52"	2.01"	—	None
901476	Lift Support	—	—	E	E	9.49"	15"	5.51"	—	None
901498	Lift Support	—	—	Q	Q	18.58"	26.26"	7.68"	—	None
901516	Lift Support	—	—	E	E	11.85"	18.15"	6.3"	—	None
901521	Lift Support	—	—	V	V	7.32"	10.98"	3.66"	—	None
901528	Lift Support	—	—	E	E	7.28"	11.34"	4.06"	—	None
901529	Lift Support	—	—	E	E	7.05"	11.22"	4.17"	—	None
901536	Lift Support	—	—	E	E	13.19"	21.54"	8.35"	—	None
901604	Lift Support	—	—	E	E	6.88"	8.88"	2"	—	None
901614	Lift Support	—	—	E	E	12.56"	20.24"	7.68"	—	None
901615	Lift Support	—	—	E	E	8.39"	13.7"	5.32"	—	None
901616	Lift Support	—	—	C	C	7.64"	12.87"	5.24"	—	None
901617	Lift Support	—	—	SPEC	SPEC	12.4"	19.88"	7.48"	—	None
901620	Lift Support	—	—	E	E	15.67"	28.43"	12.76"	—	None
901622	Lift Support	—	—	E	E	9.53"	14.92"	5.39"	—	None
901627	Lift Support	—	—	E	E	15.35"	23.23"	7.87"	—	None
901631	Lift Support	—	—	G	G	10.51"	17.01"	6.5"	—	None
901632	Lift Support	—	—	E	E	12.24"	21.58"	9.33"	—	None
901634	Lift Support	—	—	E	E	8.98"	14.49"	5.51"	—	None
901645	Lift Support	—	—	E	E	11.42"	18.03"	6.61"	—	None
901647	Lift Support	—	—	E	E	13.11"	22.76"	9.65"	—	None
901650	Lift Support	—	—	E	E	12.56"	21.14"	8.58"	—	HK21413
901654	Lift Support	—	—	E	E	19.21"	30.12"	10.91"	—	None
901657	Lift Support	—	—	E	E	13.39"	18.31"	4.92"	—	None
901658	Lift Support	—	—	E	E	10.95"	17.23"	6.3"	—	HK21383
901662	Lift Support	—	—	T	E	13.74"	20.24"	6.5"	—	None
901665	Lift Support	—	—	E	E	10.55"	18.03"	7.48"	—	None
901668	Lift Support	—	—	G	G	6.06"	9.61"	3.54"	—	None
901669	Lift Support	—	—	E	E	8.03"	12.99"	4.96"	—	None
901671	Lift Support	—	—	E	E	14.65"	25.04"	10.39"	—	None
901672	Lift Support	—	—	E	E	11.5"	19.69"	8.19"	—	None
901676	Lift Support	—	—	G	G	6.26"	8.9"	2.64"	—	None
901679	Lift Support	—	—	E	E	10.98"	17.68"	6.69"	—	None
901681	Lift Support	—	—	F	F	11.34"	17.64"	6.3"	—	None
901684	Lift Support	—	—	E	E	15.67"	26.69"	11.02"	—	None
901698	Lift Support	—	—	E	E	14.21"	22.09"	7.87"	—	None
901702	Lift Support	—	—	E	E	17.32"	27.17"	9.84"	—	None
901707	Lift Support	—	—	B	B	10.71"	17.4"	6.69"	—	None
901710	Lift Support	—	—	E	E	16.08"	29.53"	13.45"	—	None
901711	Lift Support	—	—	G	E	12.73"	20.84"	8.11"	—	None
901719	Lift Support	—	—	E	E	10.43"	17.13"	6.69"	—	None
901723	Lift Support	—	—	B	E	11.5"	18.94"	7.44"	—	None
901725	Lift Support	—	—	E	E	7.6"	11.65"	4.06"	—	None
901727	Lift Support	—	—	E	SPEC	11.97"	19.49"	7.52"	—	None
901731	Lift Support	—	—	E	E	19.17"	35.25"	16.08"	—	None
901734	Lift Support	—	—	E	E	12.38"	20.02"	7.64"	—	None
901735	Lift Support	—	—	E	E	7.72"	12.44"	4.72"	—	None
901736	Lift Support	—	—	E	E	12.21"	20.87"	8.66"	—	None
901745	Lift Support	—	—	E	E	13.5"	20.87"	7.36"	—	None
901750	Lift Support	—	—	G	G	7.48"	10.75"	3.27"	—	None
901753	Lift Support	—	—	E	G	14.63"	23.09"	8.47"	—	None
901766	Lift Support	—	—	G	G	17.13"	29.49"	12.36"	—	None
901770	Lift Support	—	—	E	E	15.75"	26.3"	10.55"	—	None
901774	Lift Support	—	—	E	E	15.16"	25"	9.84"	—	None
901788	Lift Support	—	—	E	E	12.01"	20"	7.99"	—	None
901789	Lift Support	—	—	E	E	11.51"	19.7"	8.19"	—	None

† Bumper Stop Unit. Dimension Shown at Bumper Contact

‡ Hydraulic Lockout Unit. Dimension Shown is Metal-to-Metal, Subtract Approximately 5/8" (.62) from the Extended Length for Start-of-Engagement.

# MOUNTING & LENGTH SPECIFICATIONS

Part No.	Part Type	STRUT BODY		END CODE		LENGTHS			Spring (Rate)	Parts Pack(s)
		Type	Length	Body	Rod	Comp.	Ext.	Trav.		
901790	Lift Support	—	—	G	E	11.38"	19.65"	8.27"	—	None
901794	Lift Support	—	—	E	E	11.02"	19.09"	8.07"	—	None
901799	Lift Support	—	—	E	E	12.8"	17.91"	5.12"	—	None
901800	Lift Support	—	—	E	E	14.57"	21.14"	6.58"	—	None
901802	Lift Support	—	—	G	G	10.63"	17.13"	6.5"	—	None
901810	Lift Support	—	—	E	E	8.79"	14.5"	5.71"	—	None
901812	Lift Support	—	—	J	J	10.28"	17.52"	7.24"	—	None
901816	Lift Support	—	—	E	U	7.91"	13.19"	5.28"	—	None
901818	Lift Support	—	—	E	E	7.8"	12.72"	4.92"	—	None
901827	Lift Support	—	—	E	E	7.01"	10"	2.99"	—	None
901829	Lift Support	—	—	E	E	6.46"	9.61"	3.15"	—	None
901841	Lift Support	—	—	E	E	6.93"	10.75"	3.82"	—	None
901848	Lift Support	—	—	E	E	14.17"	22.05"	7.87"	—	None
901855	Lift Support	—	—	E	E	15.43"	24.02"	8.58"	—	None
901857	Lift Support	—	—	E	E	14.76"	21.65"	6.89"	—	None
901872	Lift Support	—	—	E	E	7.44"	11.02"	3.58"	—	None
901878	Lift Support	—	—	E	E	9.25"	16.34"	7.09"	—	None
901884	Lift Support	—	—	E	E	9.49"	16.14"	6.65"	—	None
901886	Lift Support	—	—	E	E	16.73"	23.03"	6.3"	—	None
901887	Lift Support	—	—	E	E	14.41"	23.23"	8.82"	—	None
901890	Lift Support	—	—	E	FF	7.64"	11.97"	4.33"	—	None
901895	Lift Support	—	—	E	E	16.61"	24.06"	7.44"	—	None
901898	Lift Support	—	—	E	E	18.11"	25.2"	7.09"	—	None
911021	Shock	—	—	LS47	XP7	14.5"	24"	9.5"	—	None
911039	Shock	—	—	LS26	L1	15.75"	26.38"	10.63"	—	None
911043†	Shock	—	—	LS39	LS77	11.25"	16.5"	5.25"	—	None
911044†	Shock	—	—	LS47	XP7	16.25"	26.75"	10.5"	—	None
911050†	Shock	—	—	XP5	S4	9.5"	13.75"	4.25"	—	P01134
911055†	Shock	—	—	LS26	LS26	14"	22.5"	8.5"	—	None
911080†	Shock	—	—	LS26	S4	12.5"	20.75"	8.25"	—	P01135
911085†	Shock	—	—	LS47	XP7	14"	22.38"	8.38"	—	None
911086†	Shock	—	—	LS47	XP7	14.75"	23.75"	9"	—	None
911096	Shock	—	—	XP8	S4	9"	13.75"	4.75"	—	P01135
911099†	Shock	—	—	LS39	LS39	11.5"	16.63"	5.13"	—	None
911102†	Shock	—	—	LS47	S5	9.63"	13.75"	4.13"	—	P01167
911103	Shock	—	—	LS47	LS47	15.38"	24.63"	9.25"	—	None
911104‡	Shock	—	—	LS47	S5	14"	21.75"	7.75"	—	P01167
911128†	Shock	—	—	L1	S4	9.75"	14.25"	4.5"	—	P01135,P01319
911131†	Shock	—	—	XP5	S5	10.25"	14.88"	4.63"	—	P01167
911132	Shock	—	—	LS26	S4	14.25"	23.88"	9.63"	—	P01135
911133†	Shock	—	—	LS39	S4	10"	14.38"	4.38"	—	P01136
911134	Shock	—	—	LS26	S4	16.13"	27.5"	11.38"	—	P01136
911140†	Shock	—	—	LS28	LS28	15.25"	24.63"	9.38"	—	None
911149†	Shock	—	—	XP5	S4	10.38"	14.38"	4"	—	P01135
911150†	Shock	—	—	LS47	LS47	15.5"	23.88"	8.38"	—	None
911151†	Shock	—	—	SPEC	S4	10.88"	15.13"	4.25"	—	P01136
911152†	Shock	—	—	LS47	LS47	16.75"	25.5"	8.75"	—	None
911164†	Shock	—	—	LS47	LS47	16"	26.13"	10.13"	—	None
911166†	Shock	—	—	LS47	LS47	14.75"	23.5"	8.75"	—	None
911168†	Shock	—	—	LS47	LS47	15"	24"	9"	—	None
911173†	Shock	—	—	L1	S5	10.25"	15"	4.75"	—	P01167
911174	Shock	—	—	LS26	XP7	15.25"	25.13"	9.88"	—	None
911175†	Shock	—	—	LS26	L1	13.75"	21.88"	8.13"	—	None
911176	Shock	—	—	LS26	XP7	16.75"	28.25"	11.5"	—	None
911178†	Shock	—	—	SPEC	S4	10.75"	15.25"	4.5"	—	P01135
911181†	Shock	—	—	LS42	S5	10.25"	15.13"	4.88"	—	P01167
911186†	Shock	—	—	XP12	S5	9.88"	14.25"	4.38"	—	P01167
911187	Shock	—	—	LS47	LS47	16"	26.5"	10.5"	—	None
911188†	Shock	—	—	LS47	S5	10.75"	15.88"	5.13"	—	P01167
911190†	Shock	—	—	LS39	LS77	11.25"	15.88"	4.63"	—	None
911191†	Shock	—	—	LS47	S5	9.63"	13.75"	4.13"	—	P01167

† Bumper Stop Unit. Dimension Shown at Bumper Contact

‡ Hydraulic Lockout Unit. Dimension Shown is Metal-to-Metal, Subtract Approximately 5/8" (.62) from the Extended Length for Start-of-Engagement.

# MOUNTING & LENGTH SPECIFICATIONS

Part No.	Part Type	STRUT BODY		END CODE		LENGTHS			Spring (Rate)	Parts Pack(s)
		Type	Length	Body	Rod	Comp.	Ext.	Trav.		
911192	Shock	—	—	LS47	LS47	15.75"	26.13"	10.38"	—	None
911193†	Shock	—	—	LS47	S5	14.25"	22.25"	8"	—	P01167
911194	Shock	—	—	LS26	L1	16.63"	28.13"	11.5"	—	None
911195†	Shock	—	—	LS26	L1	14.25"	22.88"	8.63"	—	None
911196	Shock	—	—	LS26	L1	18.25"	31"	12.75"	—	None
911197	Shock	—	—	LS43	LS43	16.42"	23.45"	7.03"	—	None
911198†	Shock	—	—	LS92	S5	14.75"	21.38"	6.63"	—	P01167
911199†	Shock	—	—	LS92	LS92	17.18"	27.69"	10.51"	—	None
911220	Shock	—	—	LS26	S4	9.75"	14.75"	5"	—	P01135
911221†	Shock	—	—	XP12	S5	11"	16.38"	5.38"	—	P01167
911222	Shock	—	—	LS47	LS47	16.5"	27.5"	11"	—	None
911223†	Shock	—	—	LS47	S5	14.5"	22.75"	8.25"	—	P01167
911228	Shock	—	—	LS47	XP7	13.38"	21"	7.63"	—	None
911229	Shock	—	—	LS21	S4	10"	14.5"	4.5"	—	P01134
911230	Shock	—	—	LS47	XP7	14.38"	23"	8.63"	—	None
911255	Shock	—	—	XP5	S4	9.25"	12.88"	3.63"	—	P01135
911256	Shock	—	—	SPEC	S4	10.88"	15.13"	4.25"	—	P01136
911257	Shock	—	—	XP5	S4	9.88"	14.13"	4.25"	—	P01136
911258	Shock	—	—	LS40	LS40	13.63"	21.75"	8.13"	—	None
911259	Shock	—	—	LS23	LS29	11"	16"	5"	—	None
911260	Shock	—	—	LS74	LS29	15.25"	24"	8.75"	—	None
911261	Shock	—	—	LS39	LS39	15.5"	25"	9.5"	—	None
911262	Shock	—	—	LS39	LS39	16.5"	27.25"	10.75"	—	None
911265	Shock	—	—	LS26	L1	16.25"	27"	10.75"	—	None
911266	Shock	—	—	LS47	S5	13.63"	20.75"	7.13"	—	P01167
911267	Shock	—	—	LS26	L1	17.63"	29.63"	12"	—	None
911268	Shock	—	—	LS26	L1	18.5"	31.38"	12.88"	—	None
911277	Shock	—	—	LS28	LS28	14.75"	24"	9.25"	—	None
911278	Shock	—	—	LS38	LS30	15.13"	24.25"	9.13"	—	None
911299	Shock	—	—	LS47	LS47	16.42"	26.09"	9.67"	—	None
911300	Shock	—	—	XP10	S5	9.63"	14.33"	4.7"	—	P01167
911302	Shock	—	—	LS38	LS38	18.43"	28.64"	10.21"	—	None
911303	Shock	—	—	LS92	LS92	16.25"	25.88"	9.63"	—	None
911304†	Shock	—	—	CLEV	S2	16.12"	21.46"	5.34"	—	P00762
911330†	Shock	—	—	S5	CLEV	18.64"	24.8"	6.16"	—	P00590,P01637
911331†	Shock	—	—	LS27	LS27	17.06"	28.07"	11.01"	—	None
911332	Shock	—	—	LS27	LS27	17.81"	29.44"	11.63"	—	None
911334†	Shock	—	—	LS39	LS39	17.28"	28.78"	11.5"	—	None
911335†	Shock	—	—	LS39	LS39	17.89"	29.69"	11.8"	—	None
911336†	Shock	—	—	LS47	S5	14.86"	24.26"	9.4"	—	P01167
911391	Shock	—	—	LS38	LS38	17.89"	29.69"	11.8"	—	None
911447	Shock	—	—	CLEV	S2	13.72"	17.97"	4.25"	—	P01299
911501	Shock	—	—	SPEC	S4	10.88"	15.38"	4.5"	—	P01136
911502	Shock	—	—	LS47	LS47	16.75"	25.63"	8.88"	—	None
911503	Shock	—	—	XP5	S4	10.25"	14.63"	4.38"	—	P01136
911504	Shock	—	—	LS47	LS47	15.38"	24.13"	8.75"	—	None
911505	Shock	—	—	SPEC	S4	10.88"	15.38"	4.5"	—	P01136
911506	Shock	—	—	LS47	LS47	15.38"	23.75"	8.38"	—	None
911507	Shock	—	—	LS42	S4	12.5"	15.5"	3"	—	P01136
911508	Shock	—	—	LS43	LS43	17.75"	27.25"	9.5"	—	None
911510	Shock	—	—	LS29	LS28	14.63"	22.38"	7.75"	—	None
911511	Shock	—	—	LS39	LS77	11.38"	16.63"	5.25"	—	None
911512	Shock	—	—	LS47	XP7	16"	25.63"	9.63"	—	None
911514	Shock	—	—	LS39	LS39	11.38"	16.63"	5.25"	—	None
911516	Shock	—	—	XP4	S4	9"	13.38"	4.38"	—	P01136
911517	Shock	—	—	LS47	XP7	14.76"	23.15"	8.39"	—	None
911522	Shock	—	—	XP1	S4	13.25"	20.5"	7.25"	—	P01136,P00941
911523	Shock	—	—	LS25	LS29	14.13"	21.75"	7.63"	—	None
911527	Shock	—	—	SPEC	S6	11.13"	15.38"	4.25"	—	P01136
911528	Shock	—	—	LS47	SPEC	15.38"	24"	8.63"	—	None
911530	Shock	—	—	L1	L1	13"	20.75"	7.75"	—	None

† Bumper Stop Unit. Dimension Shown at Bumper Contact

‡ Hydraulic Lockout Unit. Dimension Shown is Metal-to-Metal, Subtract Approximately 5/8" (.62) from the Extended Length for Start-of-Engagement.



# MOUNTING & LENGTH SPECIFICATIONS

Part No.	Part Type	STRUT BODY		END CODE		LENGTHS			Spring (Rate)	Parts Pack(s)
		Type	Length	Body	Rod	Comp.	Ext.	Trav.		
911533	Shock	—	—	LS43	LS43	15.83"	24.8"	8.97"	—	None
911536	Shock	—	—	LS26	S4	14.02"	21.93"	7.91"	—	P01136
911538	Shock	—	—	LS26	SPEC	14.69"	22.56"	7.87"	—	None
911539	Shock	—	—	LS27	SPEC	14.76"	23.15"	8.39"	—	None
911545	Shock	—	—	LS47	LS47	15.67"	21.38"	5.71"	—	None
911546	Shock	—	—	LS47	LS47	15.49"	21.25"	5.76"	—	None
911547	Shock	—	—	LS23	S4	14.61"	22.83"	8.23"	—	P01137
C1501	Shock	—	—	LS78	S2	11.26"	16.89"	5.63"	—	M17111229
C1503	Shock	—	—	LS78	S2	11.65"	17.68"	6.03"	—	M17111229
C1510	Shock	—	—	LS17	S1	16.73"	22.62"	5.89"	—	M17111215
C1511	Shock	—	—	LS17	S1	16.73"	22.62"	5.89"	—	M17111215
C1512	Shock	—	—	LS44	S8	11.46"	18.33"	6.87"	—	M17110852
C1513	Shock	—	—	LS44	S8	11.9"	18.57"	6.67"	—	M17110852
C1514	Shock	—	—	LS78	S1	14.52"	23.2"	8.68"	—	M17111223
C1515	Shock	—	—	LS75	S1	16.13"	24.81"	8.68"	—	M17111223
C1516	Shock	—	—	LS75	S1	16.29"	24.81"	8.52"	—	M17111223
C1517	Shock	—	—	LS78	S1	14.52"	23.2"	8.68"	—	M17111223
C2501	Strut	B11	14.02"	—	—	14.23"	20.74"	6.51"	—	M17111228
C2502	Strut	B11	14.02"	—	—	14.23"	20.74"	6.51"	—	M17111228
C2503	Strut	B11	15.11"	—	—	15.23"	22.06"	6.83"	—	M17111228
C2508	Strut	SPEC	15.02"	—	—	16.29"	19.88"	3.59"	—	M17111228
C2509	Strut	SPEC	15.02"	—	—	16.29"	19.88"	3.59"	—	M17110871
C2510	Strut	B3	13.63"	—	—	12.05"	18.56"	6.51"	—	M17130036
C2511†	Strut	B3	13.63"	—	—	12.05"	18.56"	6.51"	—	M17130036
C2513	Strut	B4	14.39"	—	—	15.28"	21.75"	6.47"	—	M17130036
MA700	Shock	—	—	L1/CP3	S4	12.75"	21.38"	8.63"	—	P00576,P01134
MA702	Shock	—	—	L1/CP4	XP7	12.63"	20.75"	8.13"	—	P00072
MA704	Shock	—	—	L2	L2	13.13"	21.25"	8.13"	—	P00076
MA705†	Shock	—	—	S4	S4	10.88"	17.38"	6.5"	—	P01134
MA706	Shock	—	—	LS14	XP7	13"	21.38"	8.38"	—	None
MA708†	Shock	—	—	S4	XP7	12.25"	19.88"	7.63"	—	P01137
MA709	Shock	—	—	S4	L1/CP1	10.75"	17.38"	6.63"	—	P00576,P01135
MA711	Shock	—	—	LS14	S4	11.88"	19.63"	7.75"	—	P01134
MA717	Shock	—	—	L1/CP3	XP7	12.75"	20.88"	8.13"	—	P00576
MA719	Shock	—	—	L1/CP3	XP7	14.5"	23.75"	9.25"	—	P00576
MA726	Shock	—	—	LS38	S4	12.25"	19.75"	7.5"	—	P01134
MA727	Shock	—	—	L1	L1	12.75"	20.38"	7.63"	—	P00573
MA728	Shock	—	—	L1/CP3	L1/CP5	14.25"	23.38"	9.13"	—	P00572,P00576
MA733	Shock	—	—	L2	LS39	15.5"	26.25"	10.75"	—	None
MA739	Shock	—	—	S4	S4	12.38"	20.88"	8.5"	—	P01137
MA743	Shock	—	—	LS47	L1/CP5	14"	23"	9"	—	P00019
MA746	Shock	—	—	LS39	LS38	13.13"	21"	7.88"	—	P00185
MA750	Shock	—	—	S4	LS39	11.63"	18.88"	7.25"	—	P01134
MA751	Shock	—	—	L1/CP3	XP7	13"	20.63"	7.63"	—	P00576
MA756	Shock	—	—	LS17	S4	10.25"	16.38"	6.13"	—	P01135
MA757	Shock	—	—	L2	LS39	13.88"	22.5"	8.63"	—	None
MA758	Shock	—	—	LS74	LS74	14.13"	23"	8.88"	—	None
MA759†	Shock	—	—	LS47	XP7	14.63"	24"	9.38"	—	None
MA762	Shock	—	—	L1/CP4	XP7	12.63"	20.63"	8"	—	P00072
MA764	Shock	—	—	LS47	XP7	15.88"	27.13"	11.25"	—	None
MA765†	Shock	—	—	L1/CP4	XP12	12.88"	20.5"	7.63"	—	P00072
MA768	Shock	—	—	LS26	LS28	12"	18.5"	6.5"	—	None
MA769†	Shock	—	—	LS26	L1	14.13"	22.88"	8.75"	—	P00827
MA770†	Shock	—	—	LS26	L1	15.88"	26.38"	10.5"	—	P00827
MA771†	Shock	—	—	LS26	L1	14.13"	22.88"	8.75"	—	None
MA773†	Shock	—	—	LS26	L1	13.5"	21.75"	8.25"	—	None
MA775†	Shock	—	—	LS26	L1	15.5"	25.75"	10.25"	—	None
MA776†	Shock	—	—	LS26	XP7	15"	24.38"	9.38"	—	P00941
MA777	Shock	—	—	LS26	S4	12.5"	20.5"	8"	—	P01135
MA778†	Shock	—	—	LS47	XP5	13.88"	22.88"	9"	—	None
MA779†	Shock	—	—	LS47	XP7	14.5"	23.75"	9.25"	—	None

† Bumper Stop Unit. Dimension Shown at Bumper Contact

‡ Hydraulic Lockout Unit. Dimension Shown is Metal-to-Metal, Subtract Approximately 5/8" (.62) from the Extended Length for Start-of-Engagement.

# MOUNTING & LENGTH SPECIFICATIONS

Part No.	Part Type	STRUT BODY		END CODE		LENGTHS			Spring (Rate)	Parts Pack(s)
		Type	Length	Body	Rod	Comp.	Ext.	Trav.		
MA780	Shock	—	—	LS16	XP7	13.38"	21.5"	8.13"	—	None
MA785†	Shock	—	—	LS53	LS14	9.5"	14"	4.5"	—	P00437
MA789	Shock	—	—	L1/CP1	XP7	12.75"	20.5"	7.75"	—	P00577
MA791†	Shock	—	—	LS28	LS83	15.13"	22.38"	7.25"	—	None
MA803†	Shock	—	—	LS30	LS23	10.5"	16.13"	5.63"	—	None
MA805	Shock	—	—	L1/CP4	S4	12.75"	19.5"	6.75"	—	P00072,P01134
MA809	Shock	—	—	LS7	S4	14.25"	21.5"	7.25"	—	P01278
MA810	Shock	—	—	L1/CP3	S4	12.38"	20.5"	8.13"	—	P00576,P01136
MA812	Shock	—	—	L1	L1	12.75"	20.75"	8"	—	None
MA815†	Shock	—	—	L1/CP3	S4	12.25"	19.88"	7.63"	—	P00576,P01136
MA817	Shock	—	—	LS40	LS40	12.75"	20.88"	8.13"	—	P00185,P00188
MA819†	Shock	—	—	L1/CP3	XP7	13.38"	21.25"	7.88"	—	P00576
MA822†	Shock	—	—	XP7	S1	14.5"	24.38"	9.88"	—	P01243
MA824†	Shock	—	—	LS26	LS26	12.75"	20.13"	7.38"	—	None
MA828	Shock	—	—	LS92	LS92	14.75"	24.88"	10.13"	—	None
MA829	Shock	—	—	LS38	S4	14.38"	24.88"	10.5"	—	P01136
MA830	Shock	—	—	LS92	LS92	14.63"	23.94"	9.31"	—	None
MA833	Shock	—	—	LS44	LS103	11.06"	15.98"	4.79"	—	None
MA834	Shock	—	—	LS43	LS43	15.53"	24.88"	9.35"	—	None
MA835	Shock	—	—	LS38	LS38	16.9"	28.26"	11.36"	—	None
MA836	Shock	—	—	LS38	LS38	17.4"	29.26"	11.86"	—	None
MA837	Shock	—	—	LS47	LS47	15.9"	26.26"	10.36"	—	None
MA839	Shock	—	—	LS42	LS33	10.9"	15.61"	4.71"	—	None
SC2911	Steering Damper	—	—	L1	L1	13.84"	23.27"	9.43"	—	P01198
SC2912	Steering Damper	—	—	S4	S4	12.63"	21.88"	9.25"	—	P01098
SC2913	Steering Damper	—	—	L1	L1	14.15"	23.99"	9.88"	—	P00837,P00576
SC2914	Steering Damper	—	—	S4	L1	12.75"	21.5"	8.75"	—	P01034,P00576,P01098
SC2915	Steering Damper	—	—	L1	L1	12.13"	19.88"	7.75"	—	P00848
SC2916	Steering Damper	—	—	L1	L1	13.25"	22.25"	9"	—	P00848
SC2917	Steering Damper	—	—	L1	L1	11.66"	18.7"	7.05"	—	P00848
SC2920	Steering Damper	—	—	SPEC	SPEC	16"	26.69"	10.69"	—	None
SC2921	Steering Damper	—	—	SPEC	SPEC	16.61"	27.94"	11.33"	—	None
SC2922	Steering Damper	—	—	L1	LS14	15.38"	26.38"	11"	—	P00837
SC2928	Steering Damper	—	—	LS37	L1	12"	19.5"	7.5"	—	P00837
SC2937	Steering Damper	—	—	LS4	L1	12"	19.5"	7.5"	—	P00848,P00837
SC2939	Steering Damper	—	—	LS2	LS22	11.63"	19.13"	7.5"	—	None
SC2940	Steering Damper	—	—	L1	S4	10.63"	17.38"	6.75"	—	P00843,P01098
SC2941	Steering Damper	—	—	LS22	LS23	11.5"	17.63"	6.13"	—	None
SC2942	Steering Damper	—	—	LS4	L1	12.25"	20.13"	7.88"	—	P00837
SC2943	Steering Damper	—	—	LS2	LS2	11.75"	19.13"	7.38"	—	None
SC2946	Steering Damper	—	—	L1	L1	16.5"	25.63"	9.13"	—	P01034
SC2947	Steering Damper	—	—	L1	LS2	15.38"	23.63"	8.25"	—	P01034
SC2948	Steering Damper	—	—	L1	LS2	12.5"	19.88"	7.38"	—	P01034
SC2953	Steering Damper	—	—	LS24	L1	13.75"	23"	9.25"	—	P00837
SC2954	Steering Damper	—	—	LS2	L1	17.88"	26.5"	8.63"	—	P01034
SC2955	Steering Damper	—	—	LS26	LS26	13"	21.38"	8.38"	—	None
SC2956	Steering Damper	—	—	LS4	LS4	13.88"	23.25"	9.38"	—	None
SC2957	Steering Damper	—	—	L1	L1	17"	26.88"	9.88"	—	P01034
SC2958	Axle Damper	—	—	LS38	LS38	9.24"	13.99"	4.75"	—	None
SC2960	Steering Damper	—	—	LS24	LS24	13.63"	22.63"	9"	—	None
SC2961	Steering Damper	—	—	LS38	LS40	14.5"	24.38"	9.88"	—	None
SC2962	Steering Damper	—	—	LS24	LS5	12.75"	20.75"	8"	—	P01326
SC2963	Steering Damper	—	—	LS35	L1	12.5"	20.63"	8.13"	—	P01368
SC2964	Steering Damper	—	—	LS24	L1	14"	23.5"	9.5"	—	P01368
SC2965	Steering Damper	—	—	L1	S4	15.63"	27.38"	11.75"	—	P01385,P01134
SC2966	Steering Damper	—	—	LS24	LS24	17.33"	29.77"	12.44"	—	None
SC2967	Steering Damper	—	—	L1	LS26	16.11"	27.79"	11.68"	—	P01385
SC2968	Steering Damper	—	—	LS37	LS37	14.05"	23.32"	9.27"	—	None
SC2969	Steering Damper	—	—	LS23	L1	13.69"	22.96"	9.27"	—	P01368
SC2970	Steering Damper	—	—	LS37	LS37	13.22"	20.65"	7.43"	—	None
SC2973	Steering Damper	—	—	LS39	LS28	14.54"	24.04"	9.5"	—	None

† Bumper Stop Unit. Dimension Shown at Bumper Contact

‡ Hydraulic Lockout Unit. Dimension Shown is Metal-to-Metal, Subtract Approximately 5/8" (.62) from the Extended Length for Start-of-Engagement.

# MOUNTING & LENGTH SPECIFICATIONS

Part No.	Part Type	STRUT BODY		END CODE		LENGTHS			Spring (Rate)	Parts Pack(s)
		Type	Length	Body	Rod	Comp.	Ext.	Trav.		
SC2974	Steering Damper	—	—	LS38	LS24	13.24"	20.95"	7.71"	—	None
SC2975	Steering Damper	—	—	L1	LS26	16.38"	27.98"	11.6"	—	P01385

† Bumper Stop Unit. Dimension Shown at Bumper Contact

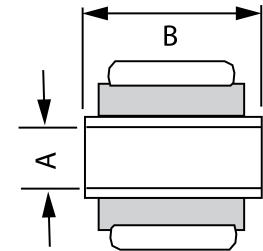
‡ Hydraulic Lockout Unit. Dimension Shown is Metal-to-Metal, Subtract Approximately 5/8" (.62) from the Extended Length for Start-of-Engagement.

# Specifications – Shock Mount Codes

Mount Code	Sleeve ID (A)	Sleeve OAL (B)
LS1	10MM	15/16"
LS2	10MM	1"
LS3	10MM	1 1/4"
LS4	10MM	1 3/8"
LS5	10MM	1 7/16"
LS6	10MM	1 9/16"
LS7	10MM	1 5/8"
LS8	10MM	2"
LS9	10MM	2 1/8"
LS10	10MM	2 3/8"
LS11	10MM	3"
LS12	7/16"	1 1/4"
LS13	7/16"	1 5/16"
LS14	7/16"	1 3/8"
LS15	7/16"	1 7/16"
LS16	7/16"	1 5/8"
LS17	7/16"	1 7/8"
LS18	7/16"	2 1/8"
LS19	7/16"	3 3/16"
LS20	7/16"	3 3/8"
LS21	12MM	1"
LS22	12MM	1 1/8"
LS23	12MM	1 1/4"
LS24	12MM	1 3/8"
LS25	12MM	1 7/16"
LS26	12MM	1 1/2"
LS27	12MM	1 9/16"
LS28	12MM	1 5/8"
LS29	12MM	1 3/4"
LS30	12MM	1 7/8"
LS31	12MM	2"
LS32	12MM	2 1/8"
LS33	12MM	2 5/16"
LS34	12MM	2 7/8"
LS35	1/2"	1 1/4"
LS36	1/2"	1 5/16"
LS37	1/2"	1 3/8"
LS38	1/2"	1 1/2"
LS39	1/2"	1 5/8"
LS40	1/2"	1 11/16"
LS41	1/2"	2 1/4"
LS42	14MM	1 5/16"
LS43	14MM	1 9/16"
LS44	14MM	1 7/8"
LS45	14MM	2 7/16"
LS46	14MM	3 1/8"
LS47	9/16"	1 5/8"
LS48	9/16"	2 7/16"

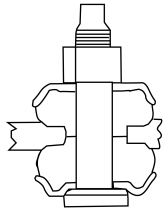
Mount Code	Sleeve ID (A)	Sleeve OAL (B)
LS49	5/8"-16MM	1 3/16"
LS50	5/8"-16MM	1 1/2"
LS51	5/8"-16MM	1 9/16"
LS52	5/8"-16MM	1 11/16"
LS53	5/8"-16MM	2"
LS54	3/4"	1 3/4"
LS55	18MM	1 5/8"
LS56	20MM	1 9/16"
LS57	20MM	2"
LS58	20MM	2 7/16"
LS59	3/4"	3 13/16"
LS60	3/4"	3 3/16"
LS61	5/8"-16MM	4"
LS62	5/8"-16MM	2 9/16"
LS63	1/2"	1/2"
LS64	21MM	1 15/16"
LS65	1"	2"
LS66	3/4"	1 3/8"
LS67	3/4"	1 11/16"
LS68	3/4"	1 7/8"
LS69	3/4"	1 15/16"
LS70	3/4"	2 1/4"
LS71	3/4"	2 3/4"
LS72	7/16"	2"
LS73	7/16"	2 1/2"
LS74	12MM	1 11/16"
LS75	20MM	1 3/4"
LS76	1/2"	2 3/8"
LS77	1/2"	2 7/16"
LS78	9/16"	1 1/2"
LS79	5/8"-16MM	1 3/8"
LS80	5/8"-16MM	1 3/4"
LS81	5/8"-16MM	1 7/8"
LS82	5/8"-16MM	1 1/2"
LS83	18MM	2"
LS84	12MM	2 3/8"
LS85	5/8"-16MM	1 3/16"
LS86	3/4"	2 5/16"
LS87	5/8"-16MM	3 9/16"
LS88	14MM	2 7/16"
LS89	1"	1 3/4"
LS90	14MM	2 5/8"
LS91	14MM	1 3/4"
LS92	14MM	1 11/16"
LS93	18MM	3 1/4"
LS94	5/8"-16MM	2 3/4"
LS95	20MM	2 3/8"
LS96	1/2"	1 7/8"

Mount Code	Sleeve ID (A)	Sleeve OAL (B)
LS97	1/2"	2 3/4"
LS98	5/8"-16MM	3"
LS99	5/8"-16MM	3 1/4"
LS100	1 1/8"	4"
LS101	1 1/8"	2 5/8"
LS102	7/8"	2 1/4"
LS103	1/2"	3 3/4"
LS104	18MM	1 11/16"
LS105	10MM	1 3/4"
LS106	14MM	2 15/16"
LS107	12MM	1 13/16"
LS108	9/16"	1 11/16"
LS109	9/16"	1 7/8"

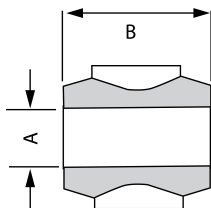


# Specifications – Shock Mount Codes

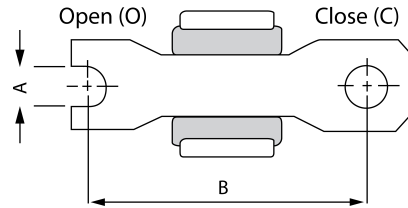
Stem Mount Code	Sleeve Length	Thread Pitch
S1	1 3/16"	M10
S12	1 3/16"	M10
S13	2"	M10
S14	1 7/8"	M10
S15	2 5/8"	M10
S2	2"	M12
S21	1 7/8"	M12
S3	2"	3/8"-24
S33	2"	3/8"-24
S34	2 1/4"	3/8"-24
S4	2 3/8"	3/8"-16
S41	2 11/16"	3/8"-16
S42	2 3/8"	3/8"-16
S5	2 5/8"	1/2"-13
S51	2 5/8"	1/2"-13
S52	2 5/8"	1/2"-20
S53	3 1/16"	1/2"-13
S6	3 5/16"	5/8"-11
S61	3 5/16"	5/8"-11
S62	2 1/2"	5/8"-18
S7	1 1/8"	M8
S8	1"	M8



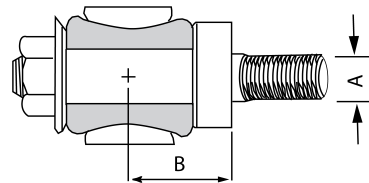
Loop Mount Code	Bushing ID (A)	Bushing OAL (B)
L1	5/8"	1 5/16"
L2	11/16"	1 9/16"
L3	3/4"	1 9/16"
L4	1"	1 3/4"
L5	1 1/4"	2 9/16"
L6	1/2"	3/4"
L7	7/8"	1 15/16"



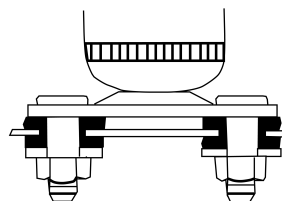
Cross Pin Mount Code	X.Pin End Type	X.Pin Hole Diameter	X.Pin Length (Cntr to Cntr)
XP1	Open	5/16"	2 3/16"
XP2	Open	5/16"	2 3/8"
XP3	Open	5/16"	2 7/16"
XP4	Closed	5/16"	2 7/16"
XP5	Closed	5/16"	2 1/2"
XP6	Open	5/16"	2 3/4"
XP7	Closed	5/16"	2 7/8"
XP8	Open	5/16"	3"
XP9	Open	5/16"	3 5/8"
XP10	Open	3/8"	2 5/8"
XP11	Closed	3/8"	2 3/4"
XP12	Open	3/8"	3 3/16"
XP13	Closed	12MM	2 15/16"
XP14	Closed	1/2"	3 3/8"
XP15	Closed	1/2"	3 3/4"
XP16	Closed	3/8"	4"



Cantilever Mount Code	Stud Diameter (A)	Stud Length (B)
CP1	1/2"	1 1/16"
CP2	1/2"	1 3/16"
CP3	1/2"	1 5/16"
CP4	1/2"	1 1/2"
CP5	5/8"	1 5/16"

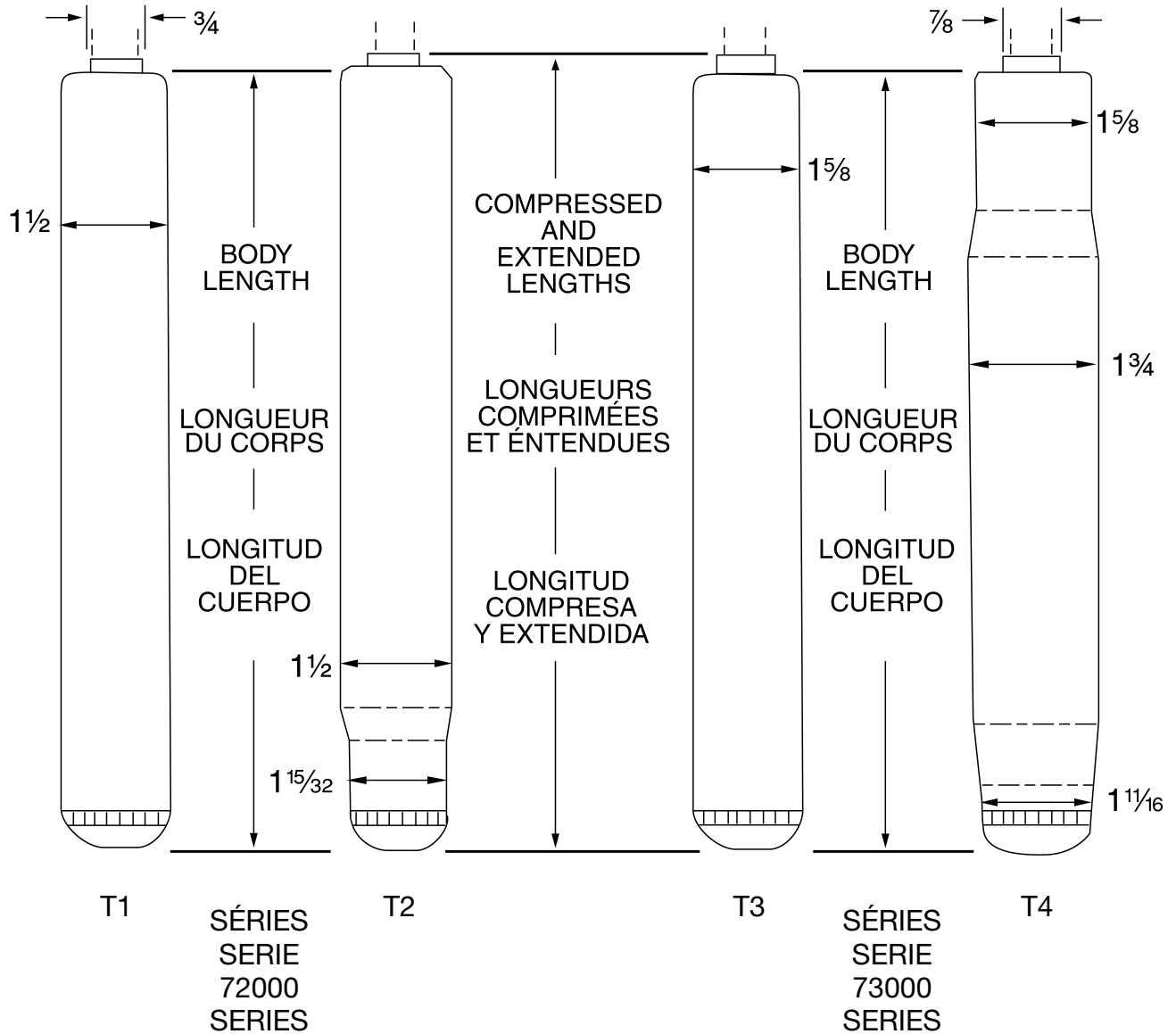


Special Mount	Mount Description
CLEV	Clevis Bracket Mount
SPEC	Special Mount
SP	Stud Plate Mount





# REPLACEMENT CARTRIDGE DIMENSIONING DIMENSION DE LA CARTOUCHE DE REMPLACEMENT DIMENSIONES DEL CARTUCHO DE REPUESTO



Product specifications shown in this catalog are subject to change without notice.  
Les données techniques des produits de ce catalogue peuvent être modifiées sans préavis.  
Las especificaciones de los productos en este catálogo están sujetas a cambio sin previo aviso.

LIGHT VEHICLES

RECREATIONAL VEHICLES

RANCHO® SHOCKS

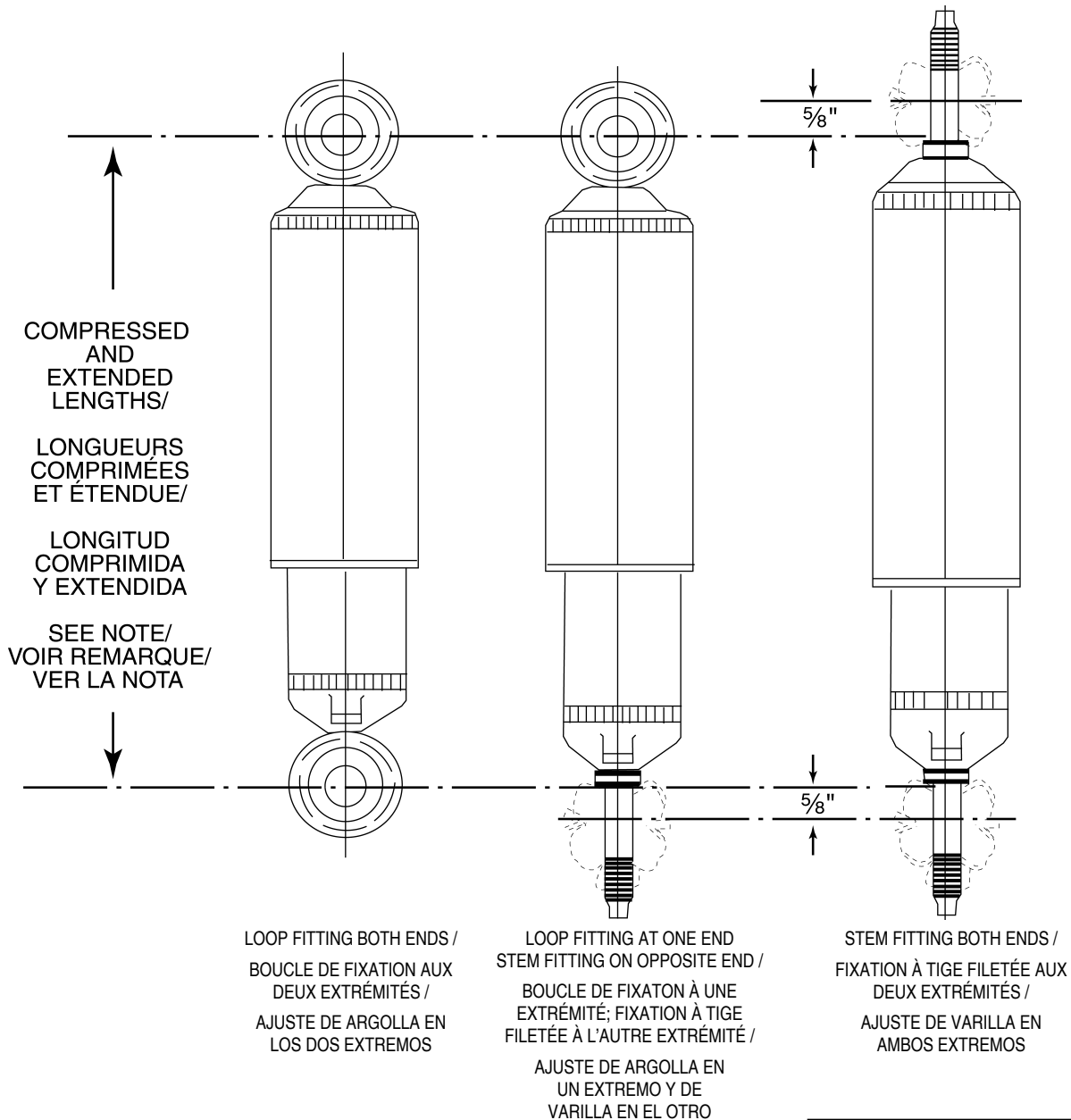
NUMERICAL LISTING

MOUNTING & LENGTH CHARTS

# SHOCK ABSORBER LENGTH DIMENSIONING

## LONGUEUR DES AMORTISSEURS

### LONGITUD DE LOS AMORTIGUADORES



**Special Construction** - Construction not the same as standard shock mounts listed.  
**NOTE:** Compressed and extended lengths listed in the following pages of this book are taken from the center of loops and/or from the stem shoulders. When measuring from the brackets on a vehicle, subtract 5/8" for each stem end. See illustrations above.

**Fabrication spéciale** - La fabrication des fixations est différente de celle des amortisseurs standard.  
**REMARQUE:** Les longueurs en compression et en extension indiquées dans les pages suivantes sont mesurées entre les épaulements des tiges filetées et/ou le centre des boucles. Lors de la mesure à partir des ferrures, soustraire 5/8" pour chaque tige filetée. Voir les illustrations.

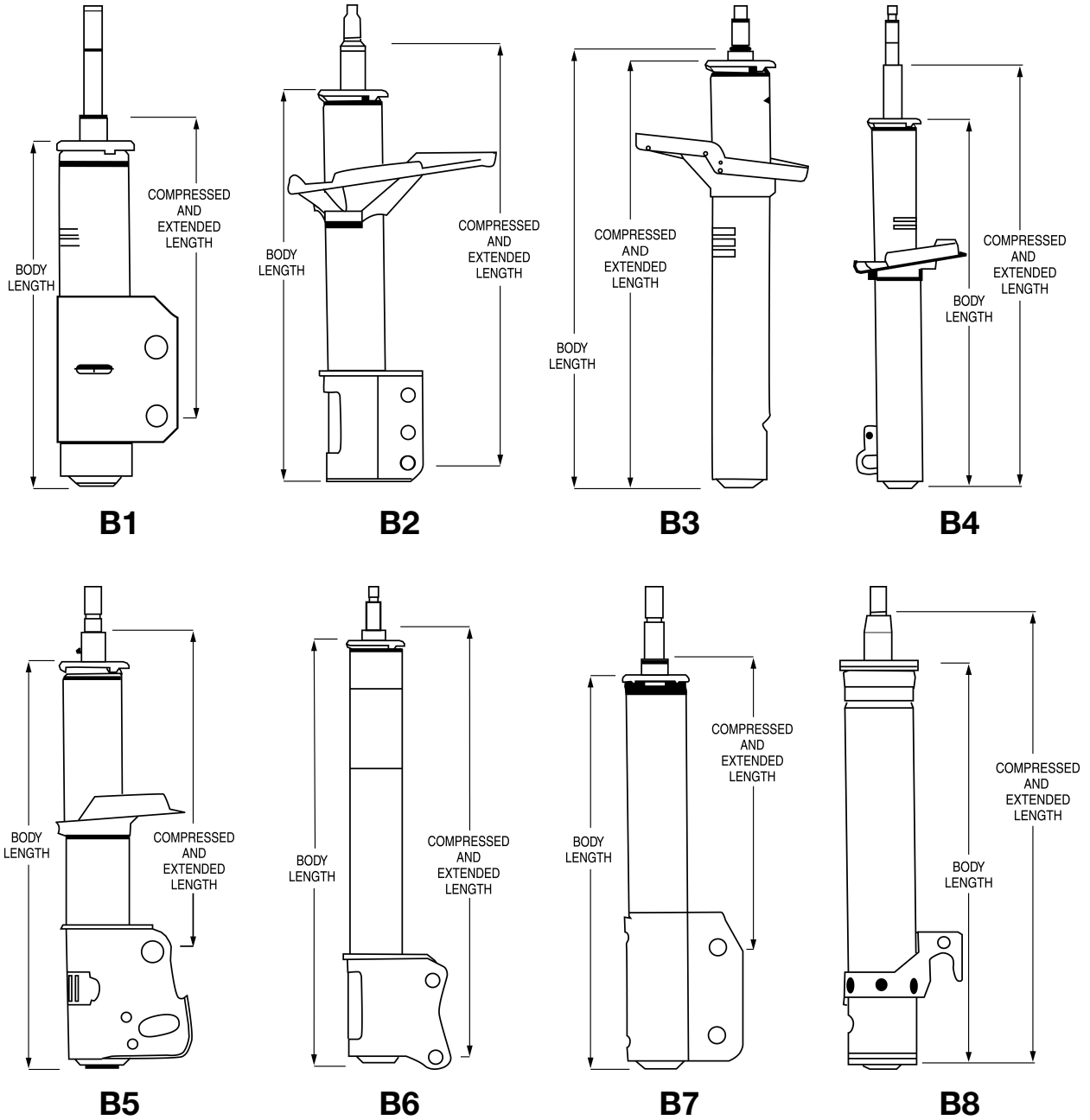
**Fabricación especial** - La fabricación es diferente a la de las series de los amortiguadores listadas.  
**NOTA:** Las longitudes comprimida y extendida listadas en las páginas siguientes de este libro, son tomadas desde el centro de las argollas y/o desde los resaltes de la varilla. Cuando se mide desde los ajustes, en un vehículo quite 5/8" por cada extremo de varilla. Ver ilustración arriba.

CONVERSION CHART	
TABLEAU DE CONVERSION	
TABLA DE CONVERSIÓN	
Fraction / Fractionnaire / Fracción (Inches/pouces/pulgadas)	Decimal / Decimale / Decimal
1/8	.12
1/4	.25
3/8	.37
1/2	.50
5/8	.62
3/4	.75
7/8	.87
1	1.00

# MOUNTING & LENGTH CHARTS REPLACEMENT UNITS

## MONTAGE ET LONGUEUR DES UNITÉS DE REMPLACEMENT

### TABLAS DE MONTAJE Y LONGITUD DE LAS UNIDADES DE REPUESTO



BODY LENGTH / LONGUEUR DU CORP / LONGITUD DEL CUERPO.

COMPRESSED AND EXTENDED LENGTH / LONGUEUR COMPRIMÉE ET ÉTENDUE / LONGITUD COMPRIMIDA Y EXTENDIDA.

**NOTE/NOTA:**

All Piston Rod Ends are Designed Special For Each Application.  
 Chaque extrémité de tige de piston est conçue spécialement pour chaque application.  
 Todos los extremos de la varas del pistón están diseñadas especialmente para cada aplicación.

LIGHT VEHICLES

RECREATIONAL VEHICLES

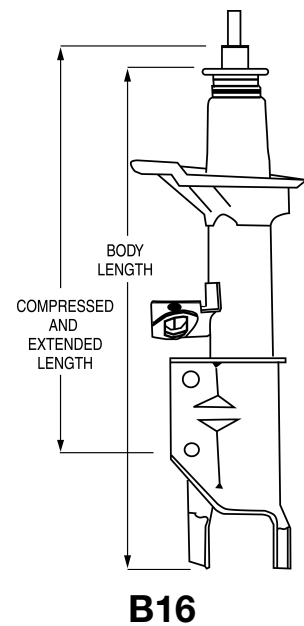
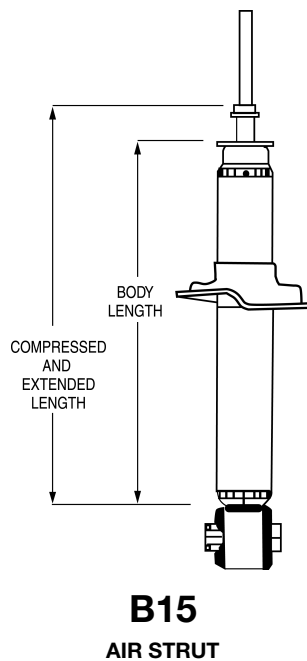
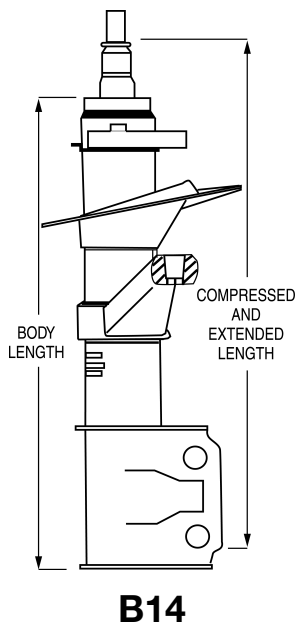
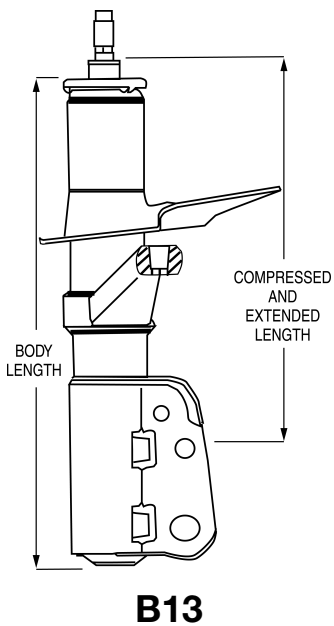
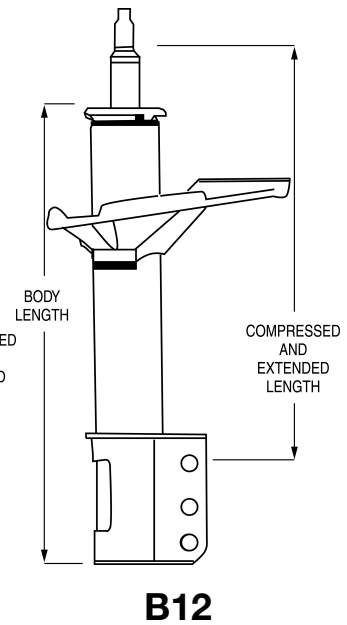
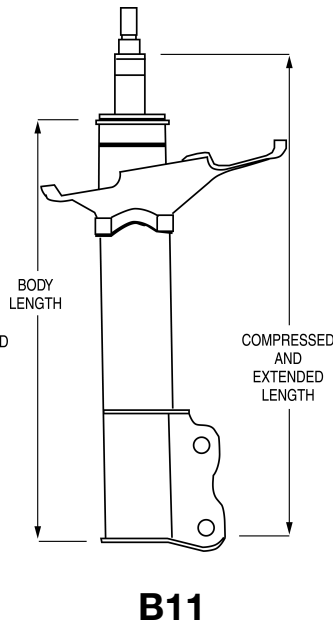
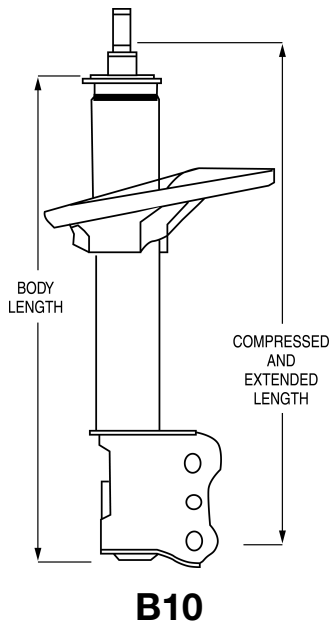
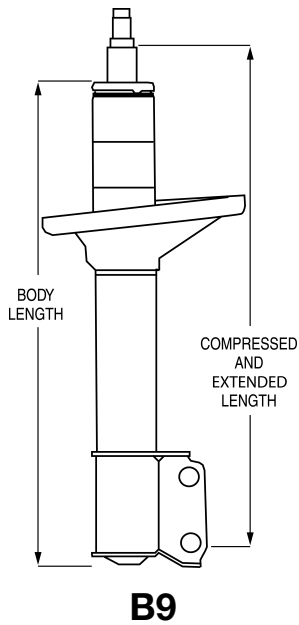
RANCHO® SHOCKS

NUMERICAL LISTING

MOUNTING & LENGTH CHARTS

# MOUNTING & LENGTH CHARTS REPLACEMENT UNITS

## MONTAGE ET LONGUEUR DES UNITÉS DE REMPLACEMENT TABLAS DE MONTAJE Y LONGITUD DE LAS UNIDADES DE REPUESTO



BODY LENGTH / LONGUEUR DU CORP / LONGITUD DEL CUERPO.

COMPRESSED AND EXTENDED LENGTH / LONGUEUR COMPRIMÉE ET ÉTENDUE / LONGITUD COMPRIMIDA Y EXTENDIDA.

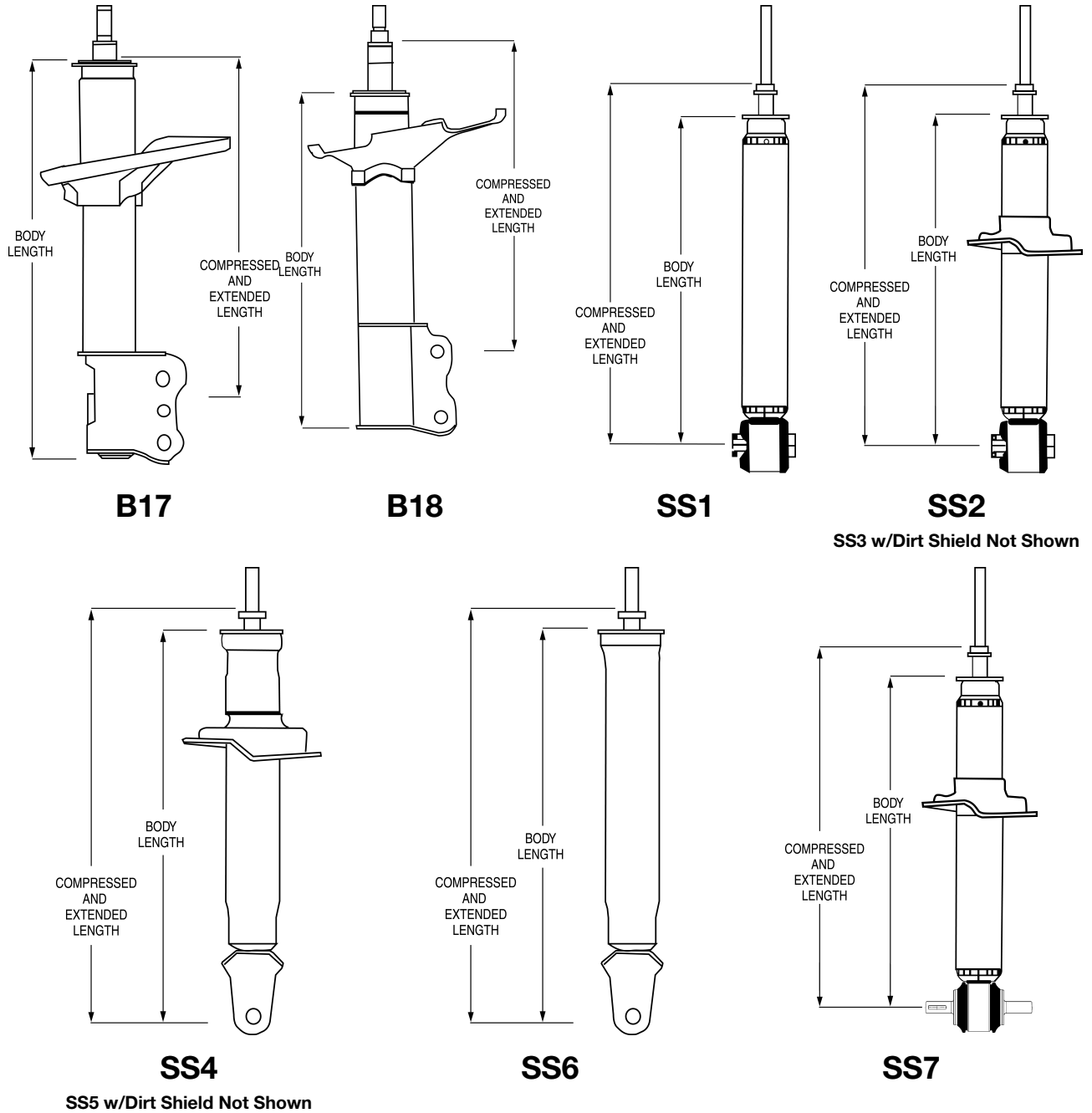
**NOTE/NOTA:**

All Piston Rod Ends are Designed Special For Each Application.  
Chaque extrémité de tige de piston est conçue spécialement pour chaque application.  
Todos los extremos de las varas del pistón están diseñadas especialmente para cada aplicación.

# MOUNTING & LENGTH CHARTS REPLACEMENT UNITS

## MONTAGE ET LONGUEUR DES UNITÉS DE REMPLACEMENT

### TABLAS DE MONTAJE Y LONGITUD DE LAS UNIDADES DE REPUESTO



BODY LENGTH / LONGUEUR DU CORP / LONGITUD DEL CUERPO.

COMPRESSED AND EXTENDED LENGTH / LONGUEUR COMPRIMÉE ET ÉTENDUE / LONGITUD COMPRIMIDA Y EXTENDIDA.

**NOTE/NOTA:**

All Piston Rod Ends are Designed Special For Each Application.

Chaque extrémité de tige de piston est conçue spécialement pour chaque application.

Todos los extremos de la varas del pistón están diseñadas especialmente para cada aplicación.

LIGHT VEHICLES

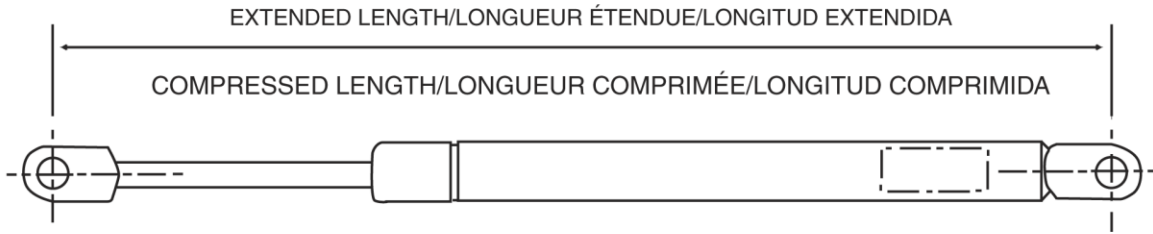
RECREATIONAL VEHICLES

RANCHO® SHOCKS

NUMERICAL LISTING

MOUNTING & LENGTH CHARTS

**MAX-LIFT®**  
LENGTH DIMENSIONING  
DIMENSIONS DE LA LONGUEUR  
MEDIDAS DE LONGITUD



**END MOUNTING CODES  
CODES DE MONTAGE  
CÓDIGOS DE MONTAJE**

